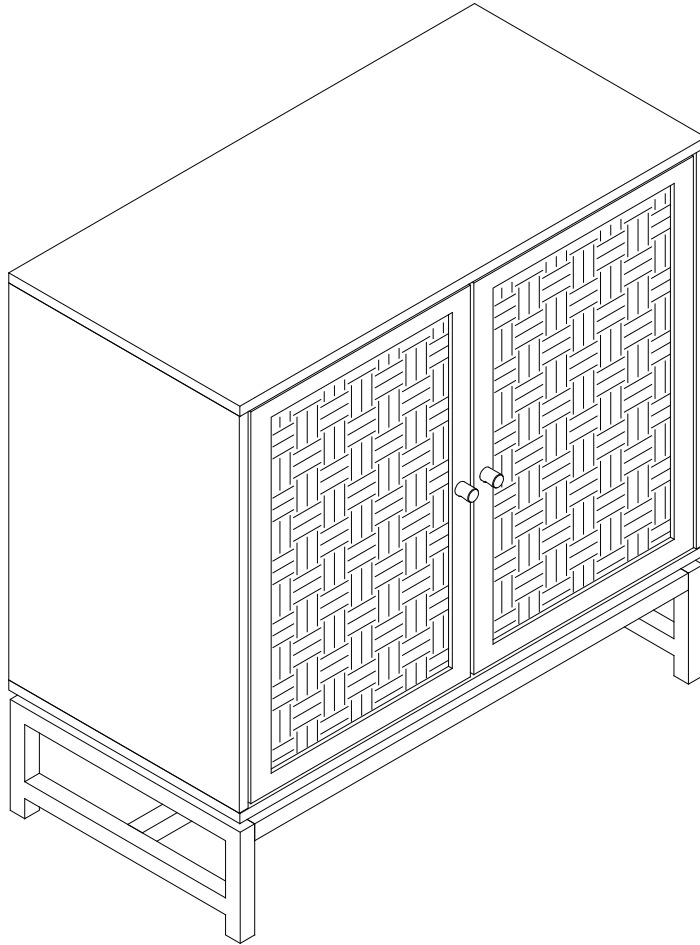


# Installation Instruction



Product name

---

**ELR0HW1201**

# Assembling

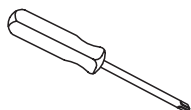
## Estimated time for assembly



**30: 00**

## What you need

- Use the packaging carton as a working surface to prevent product damage during assembly
- Phillips head screwdriver



## Weight Limitation



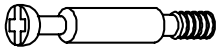
**44** | **22**  
lbs table top    lbs per shelf

# What's included

Code	Description	Qty
A	Cam Bolt M6X35MM	10
B	Cam Lock 15X10MM	10
C	Screw M4X35MM	6
D	Screw M3X14MM	8
E	Screw M3X10MM	4
F	Screw M4X35MM	2
G	Screw M4X14MM	2
H	Bolt M4X18MM	2
I	Handle	2
J	Bolt M6X45MM	10
K	Plastic Corner Support	4
L	Wooden Dowel M6X30MM	10
M	Metal Pin	4
N	Metal Support	4
O	Magnetic Door Catcher	2
P	Metal Plate	4
Q	Anchor M6X30MM	2
R	Nylon Strap	2
S	Allen Key	1

# The Hardwares

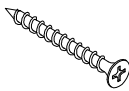
A



B



C



D



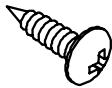
E



F



G



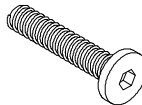
H



I



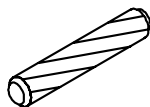
J



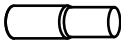
K



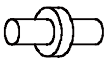
L



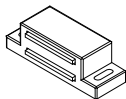
M



N



O



P



Q



R



S



### IMPORTANT:

1. Do not tighten bolts / screws completely until all bolts / screws are lined up and inserted into holes.
2. Do not over tighten screws and bolts to avoid stripping.
3. Please use hand tools to assemble this product. Do not use power tools.

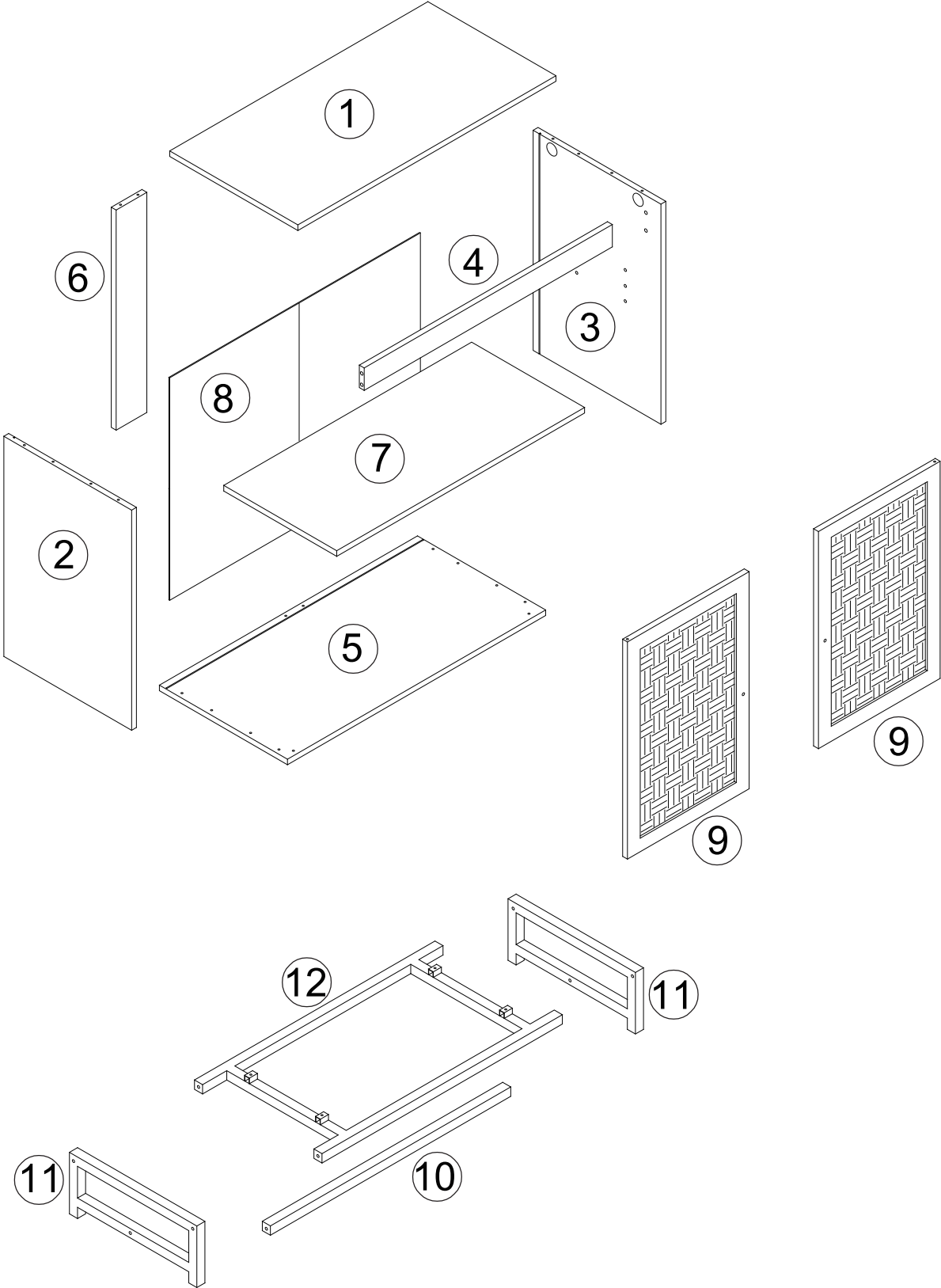
# Included Accessories

---

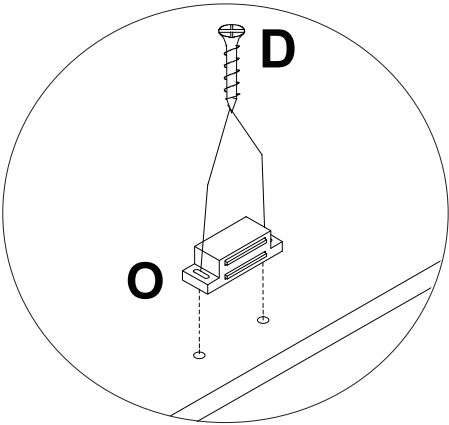
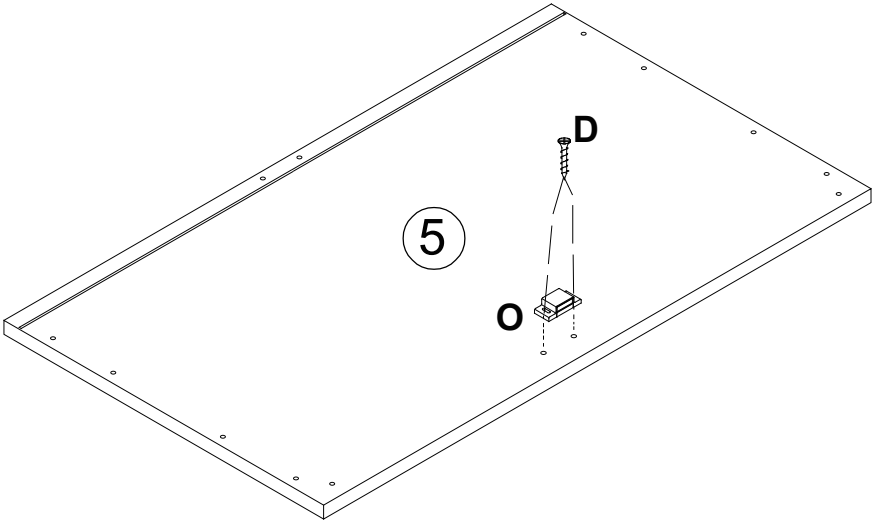
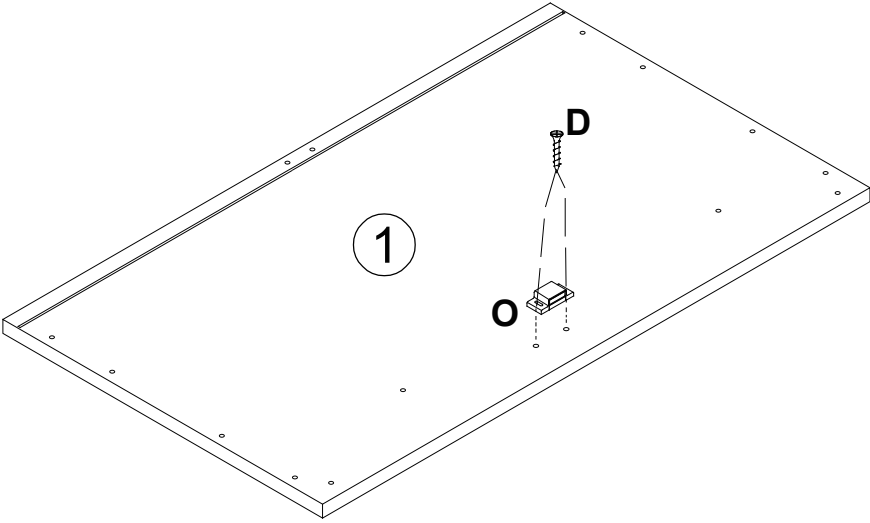
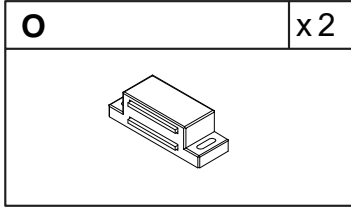
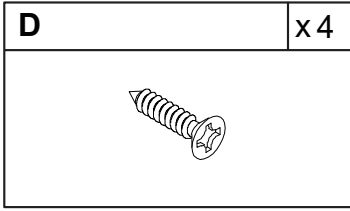
<b>Code</b>	<b>Description</b>	<b>Qty</b>
1	Cabinet Top	1
2	Left Side Panel	1
3	Right Side Panel	1
4	Top Stretcher	1
5	Bottom Panel	1
6	Back Stretcher	1
7	Shelf	1
8	Back Panel	1
9	Door	2
10	Bottom Stretcher	1
11	Side Frame	2
12	Top Frame	1

---

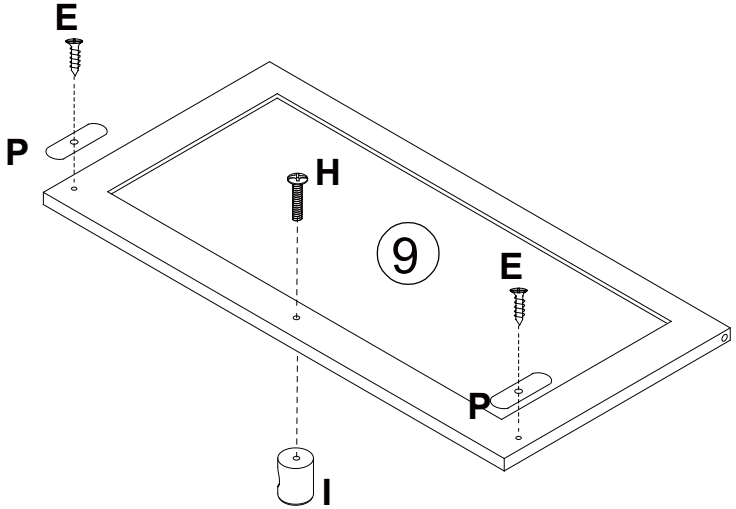
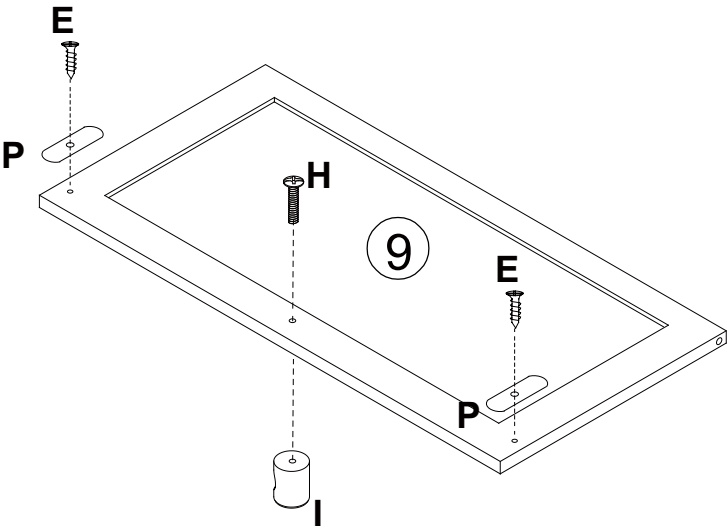
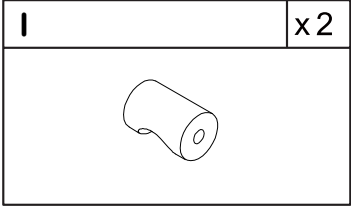
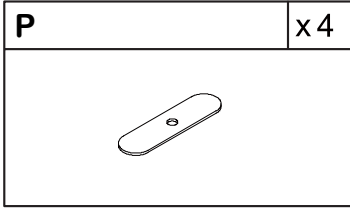
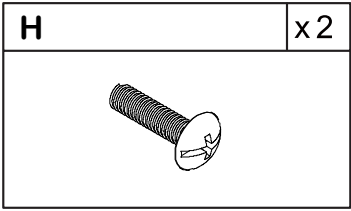
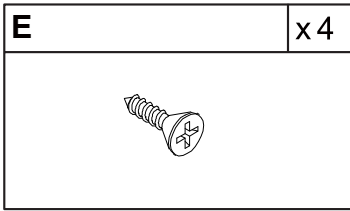
# The Accessories



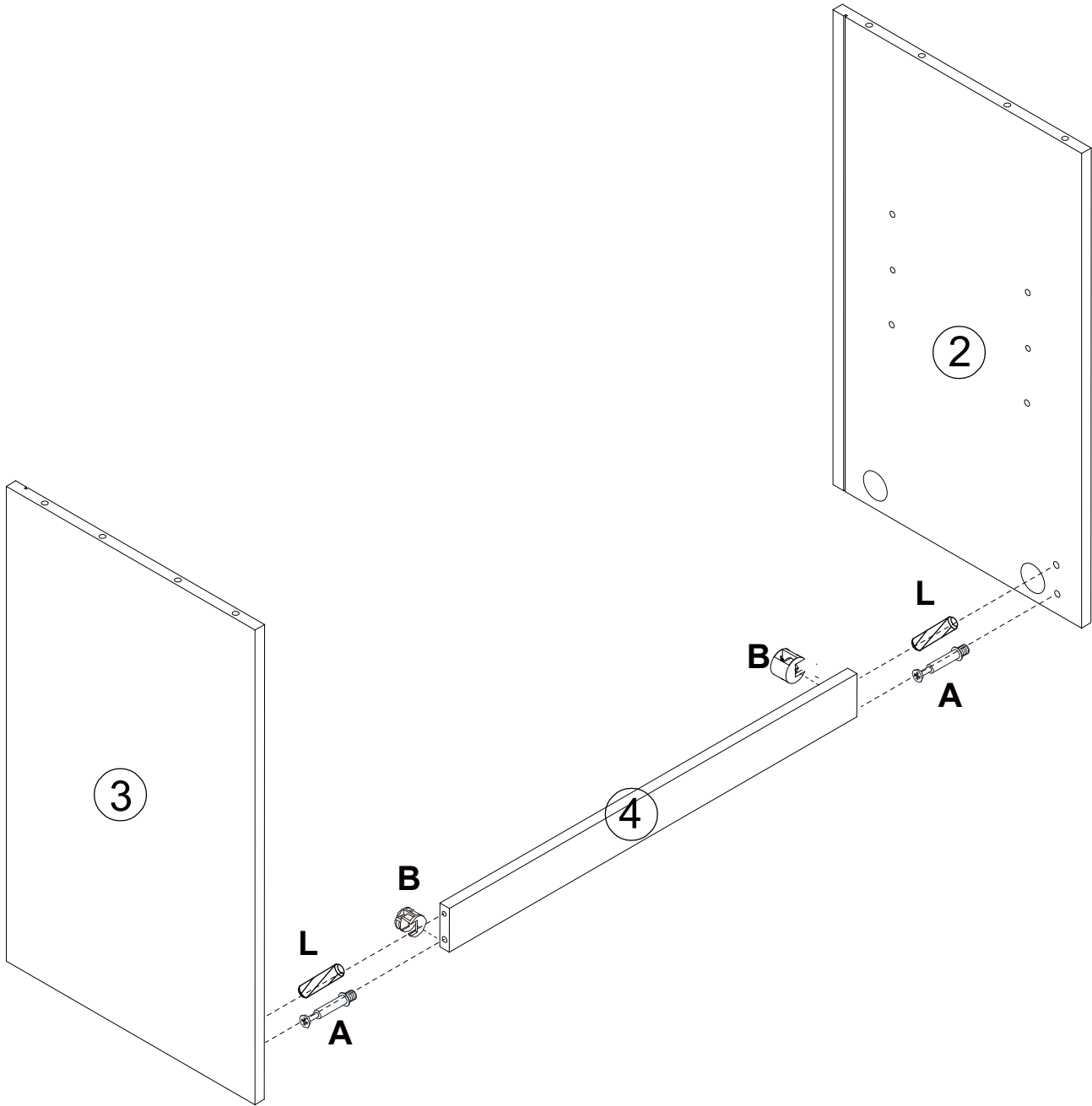
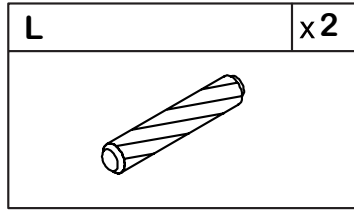
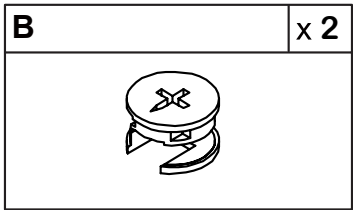
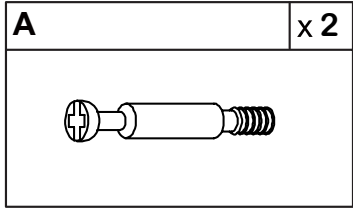
# Step 1



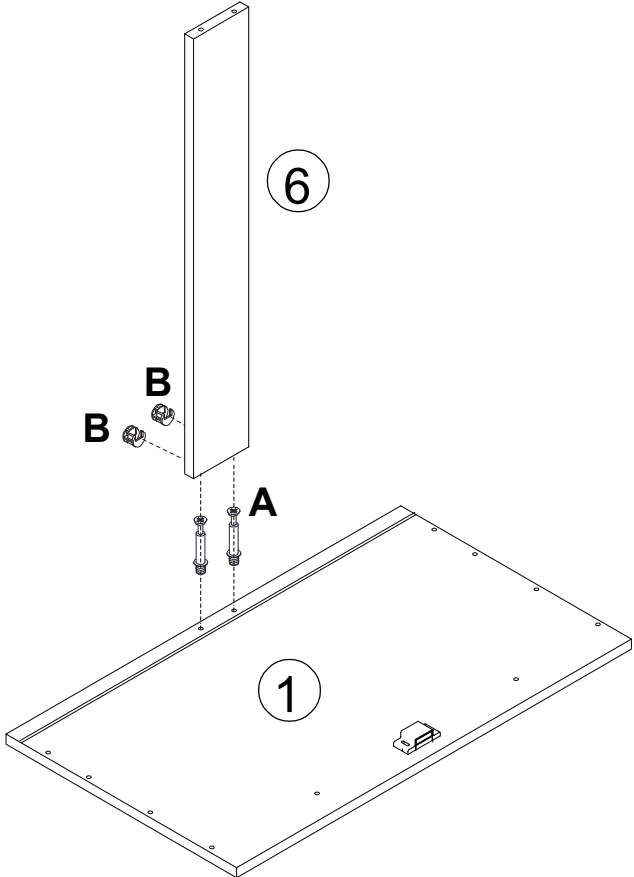
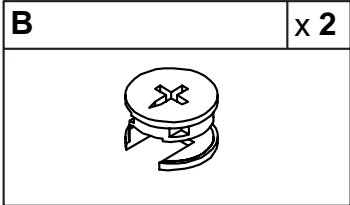
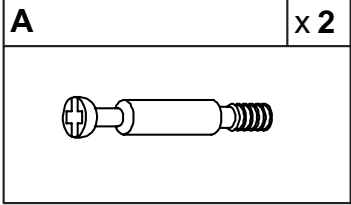
# Step 2



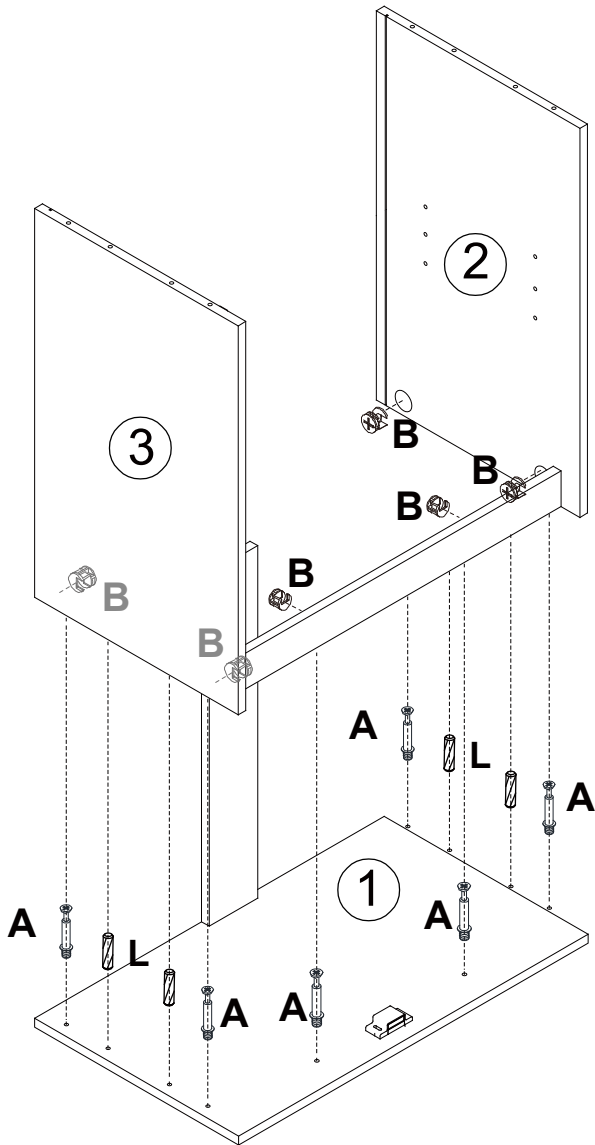
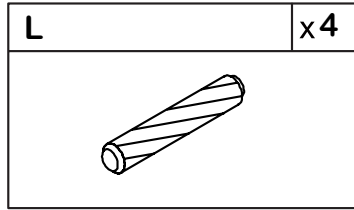
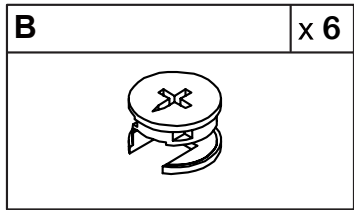
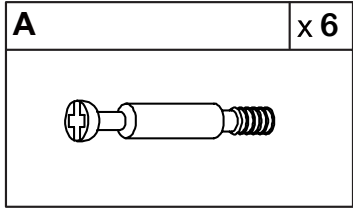
# Step 3



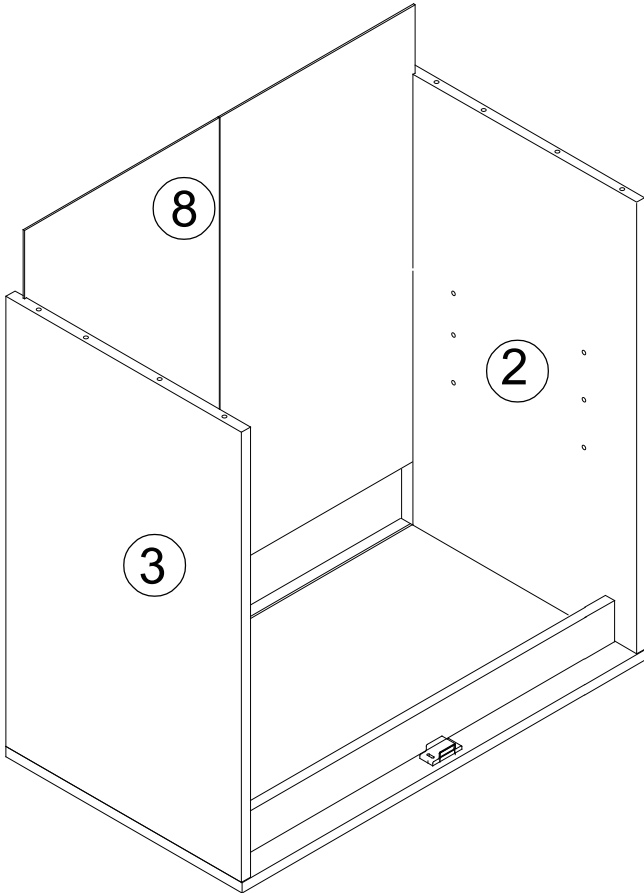
# Step 4



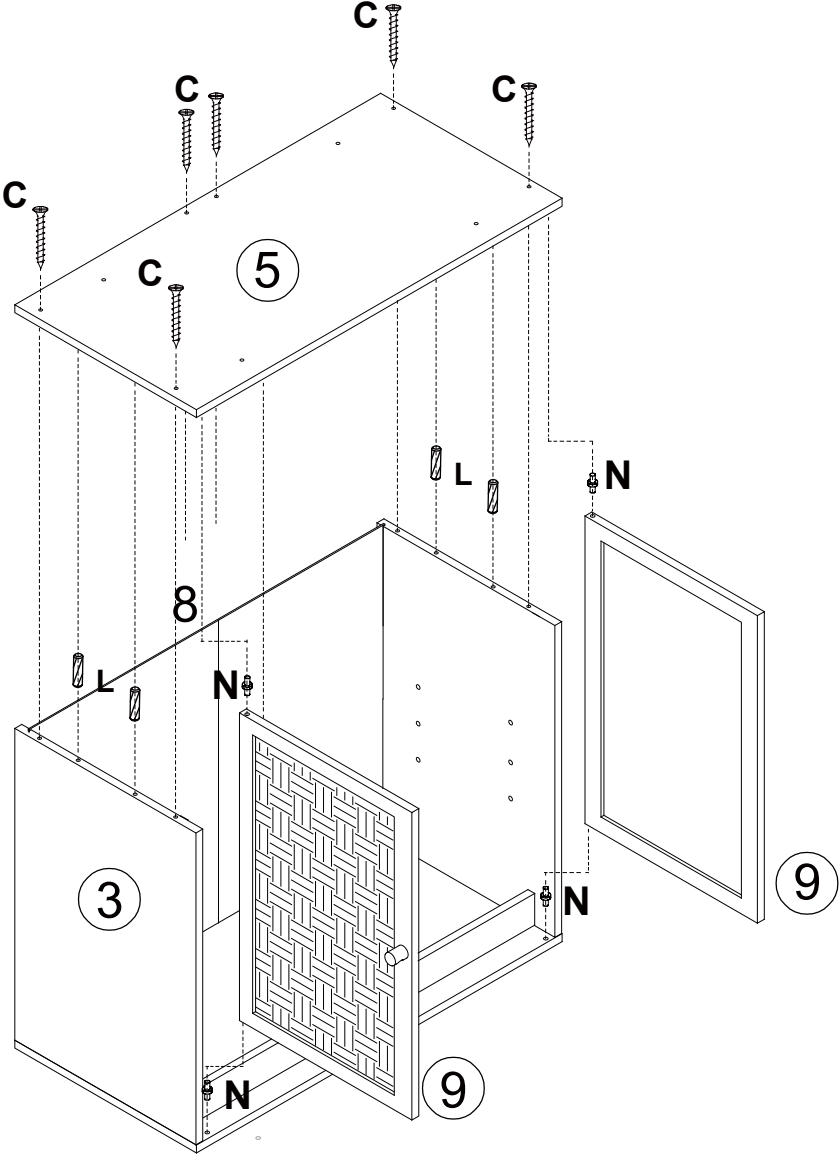
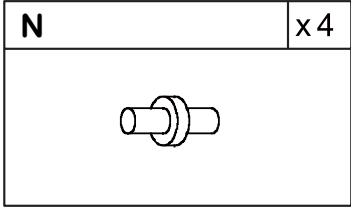
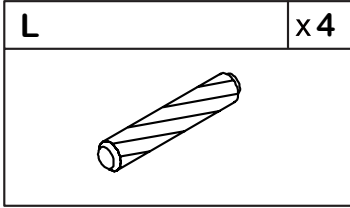
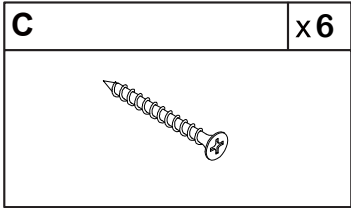
# Step 5



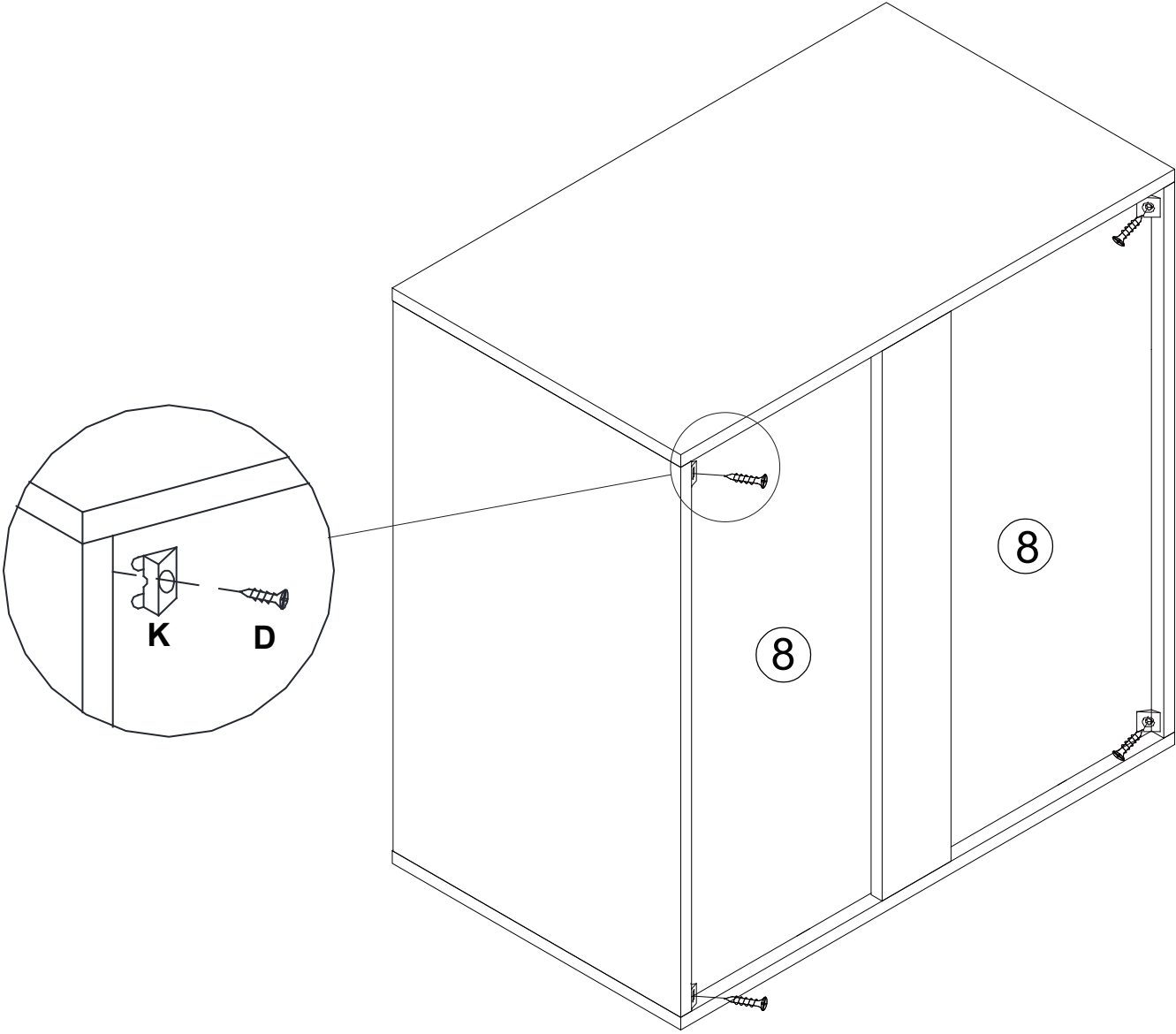
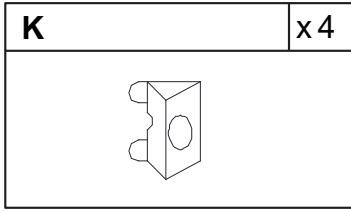
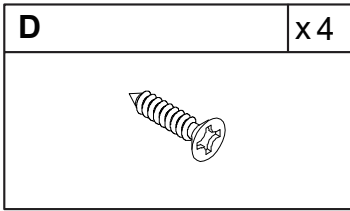
# Step 6




# Step 7

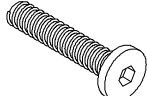


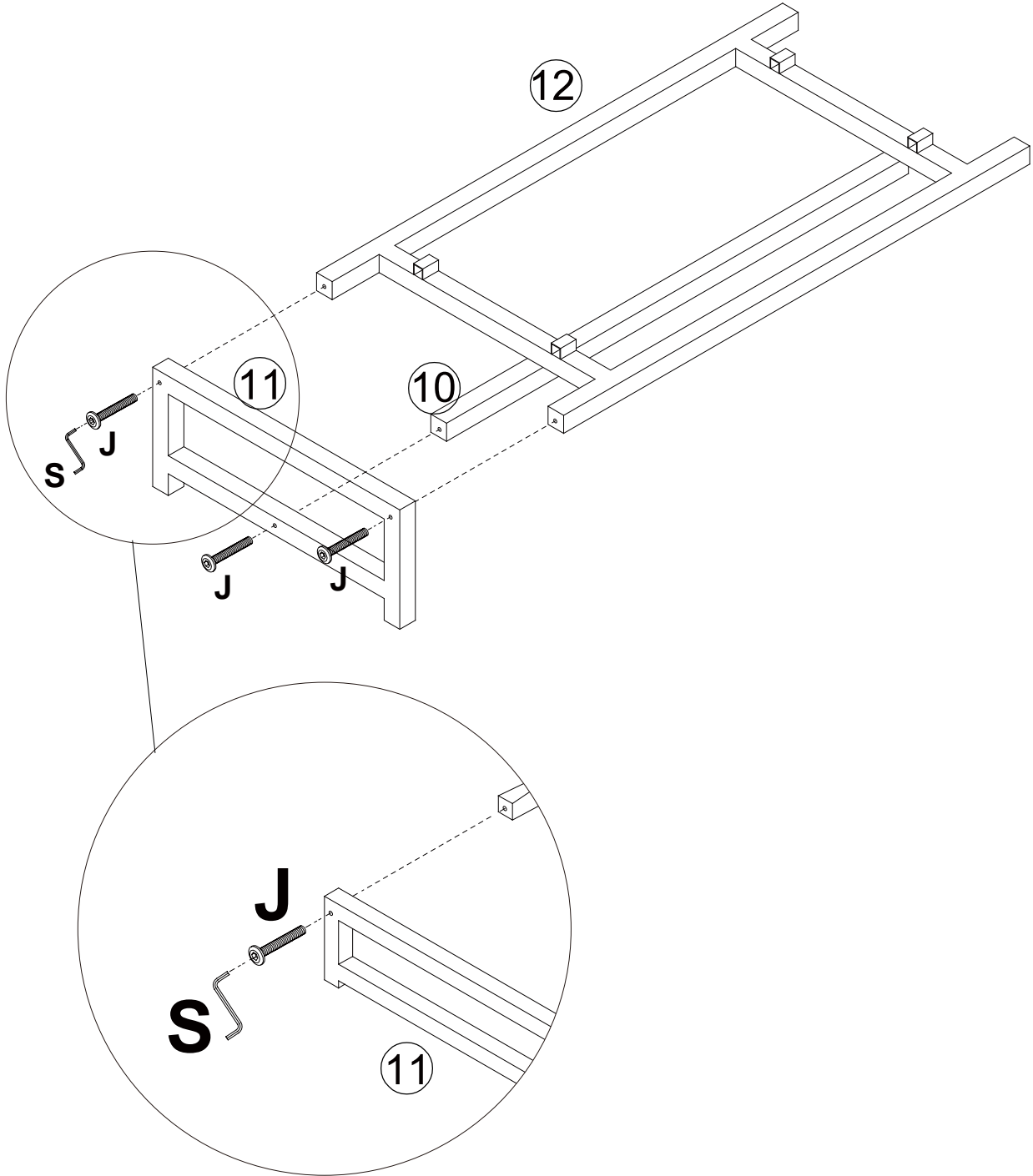
# Step 8



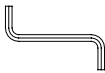
# Step 9

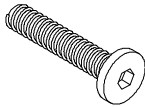
<b>S</b>	<b>x1</b>
	

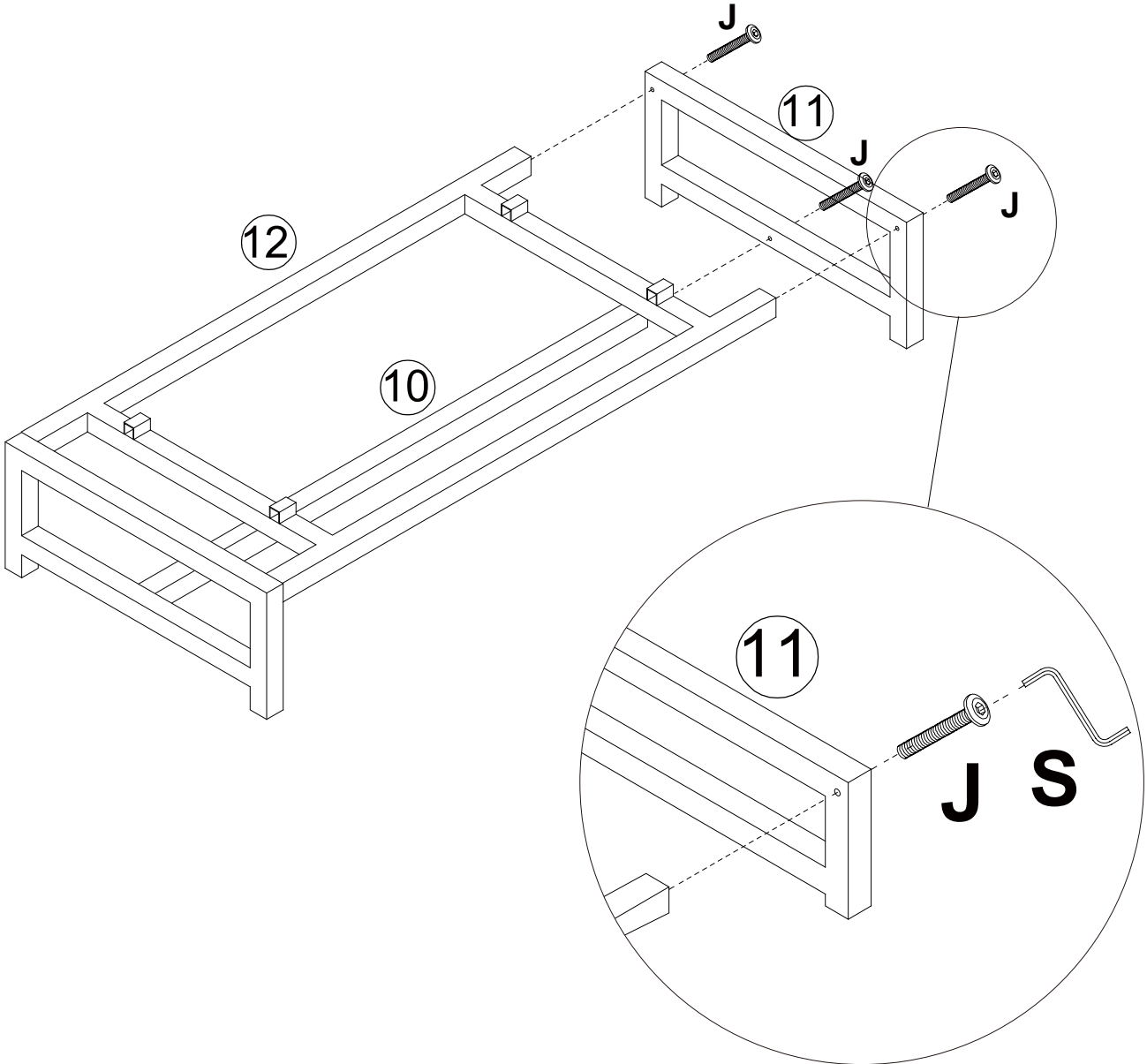
<b>J</b>	<b>x3</b>
	



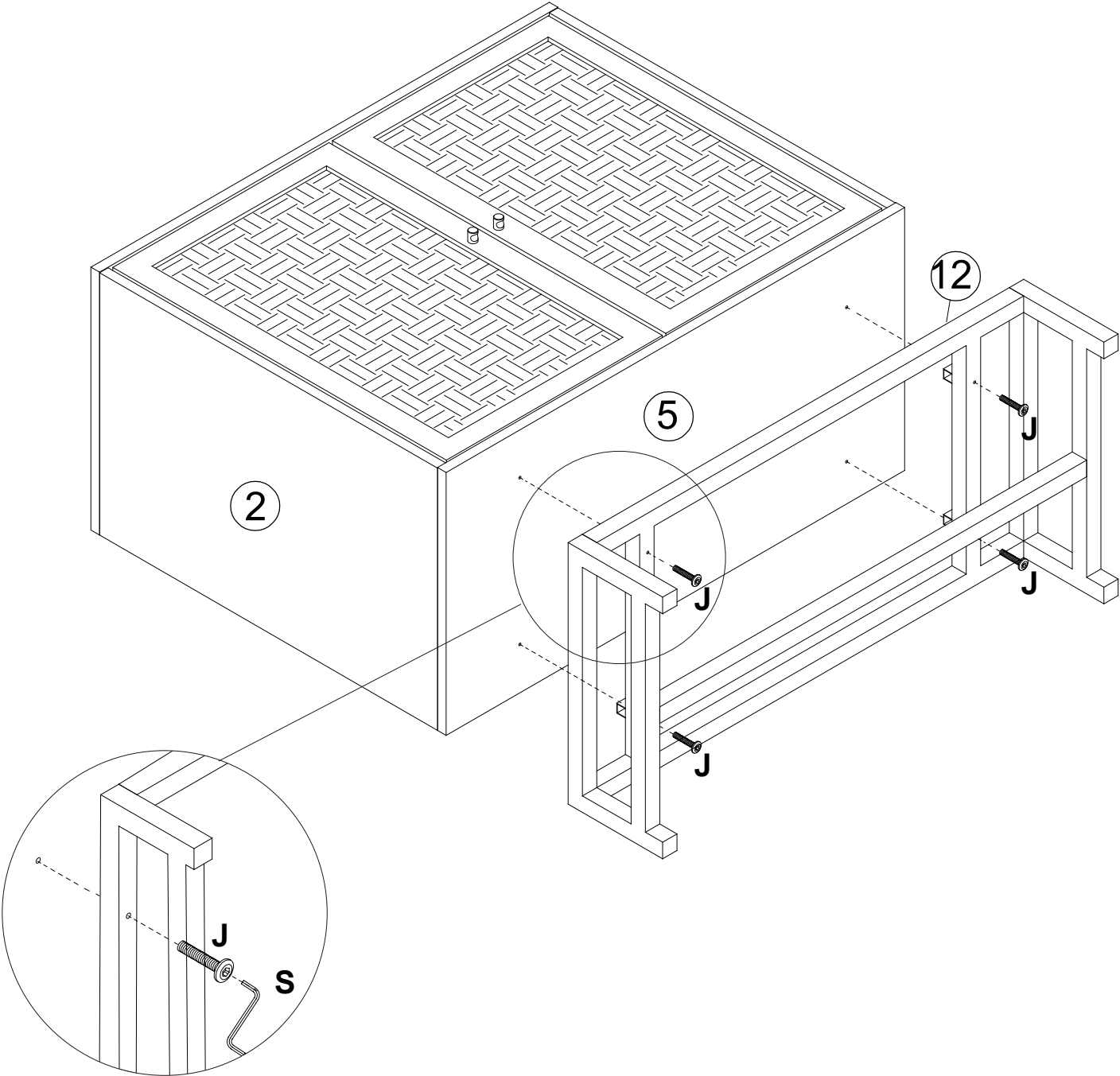
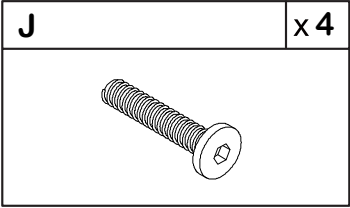
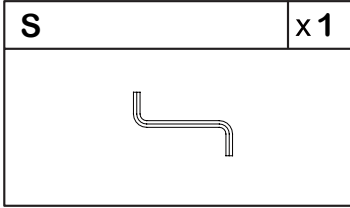
# Step 10

<b>S</b>	<b>x1</b>
	

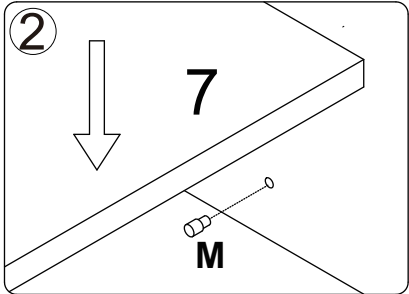
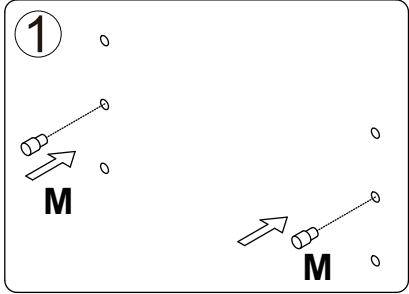
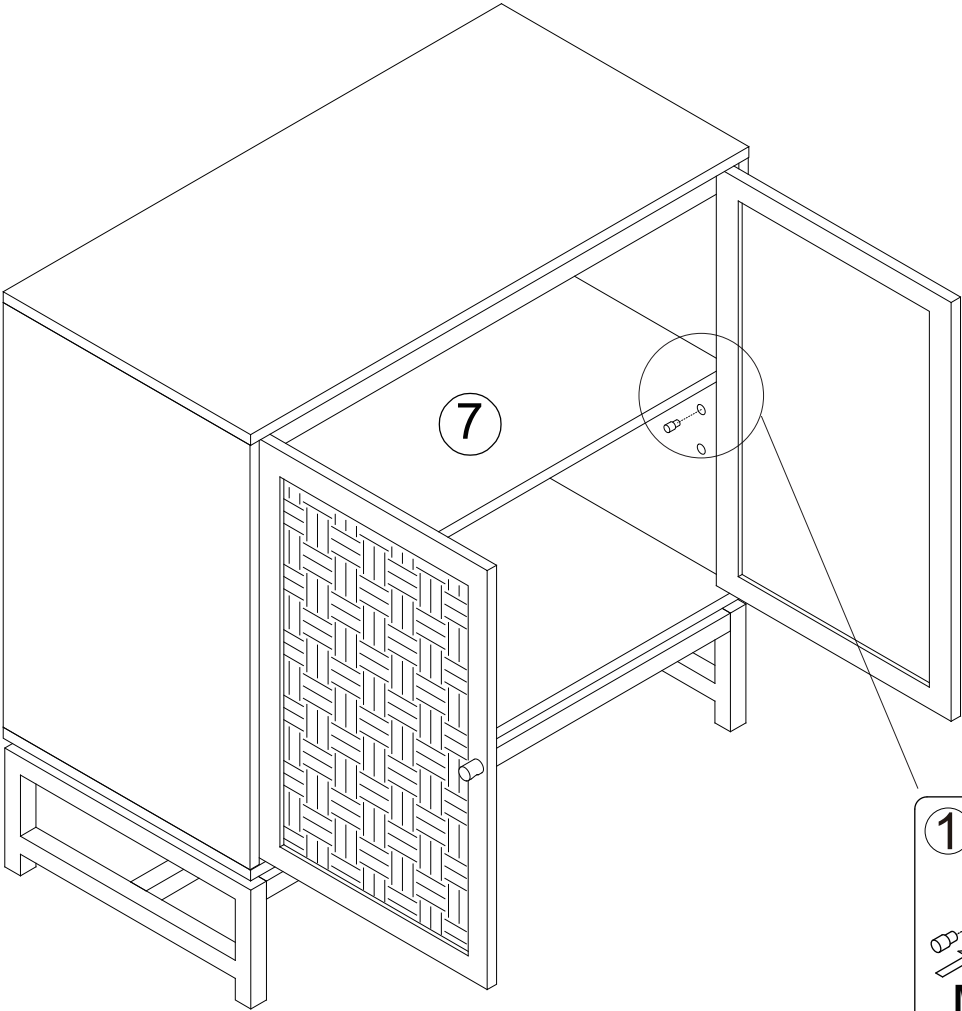
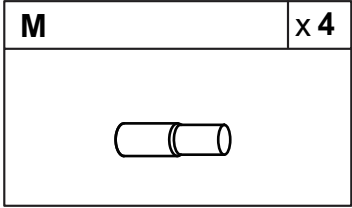
<b>J</b>	<b>x3</b>
	



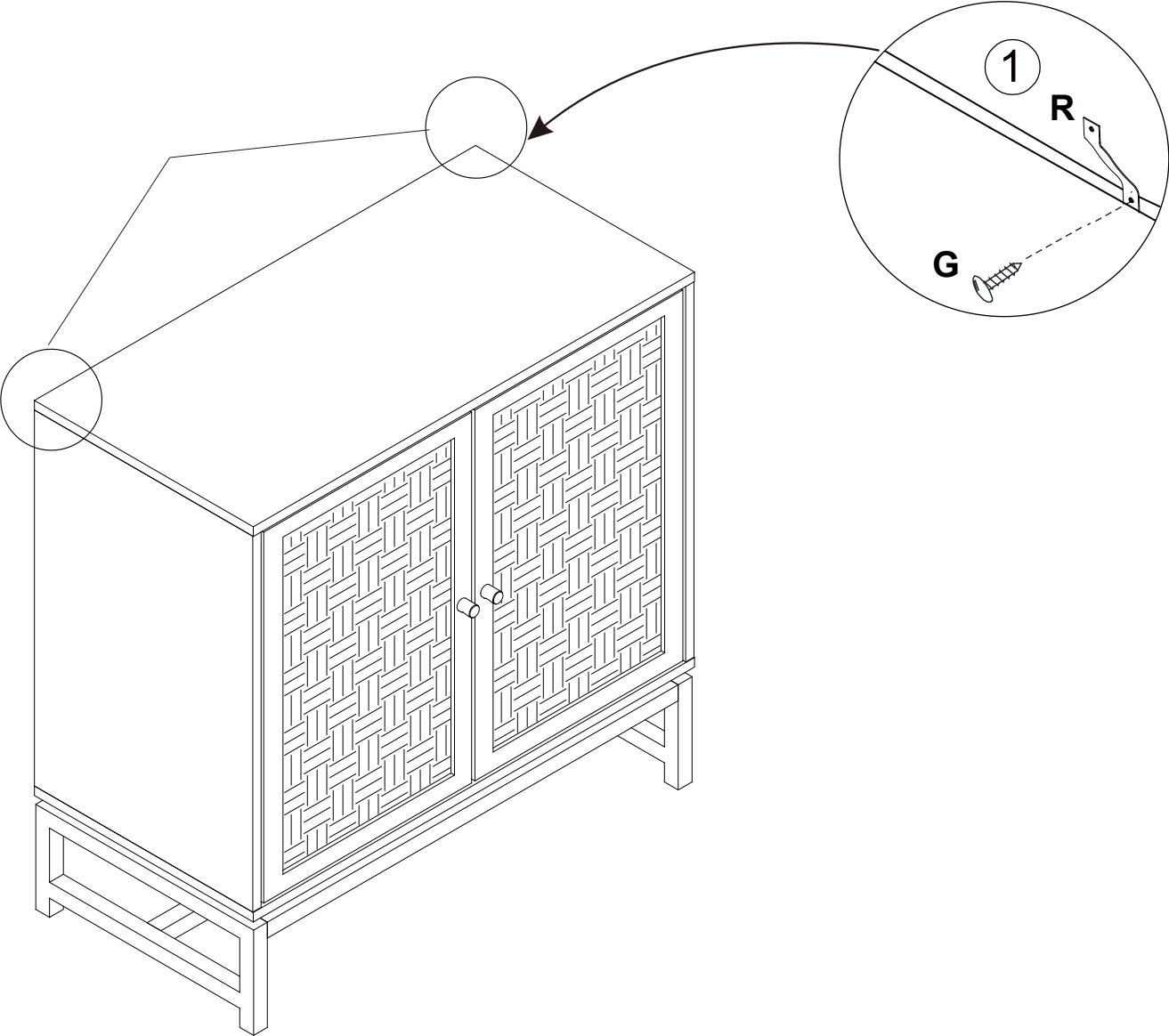
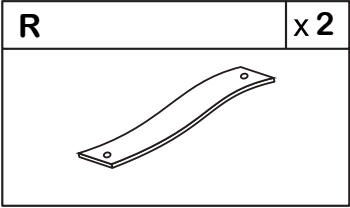
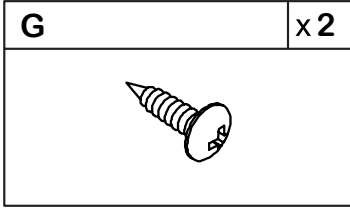
# Step 11



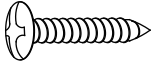
# Step 12




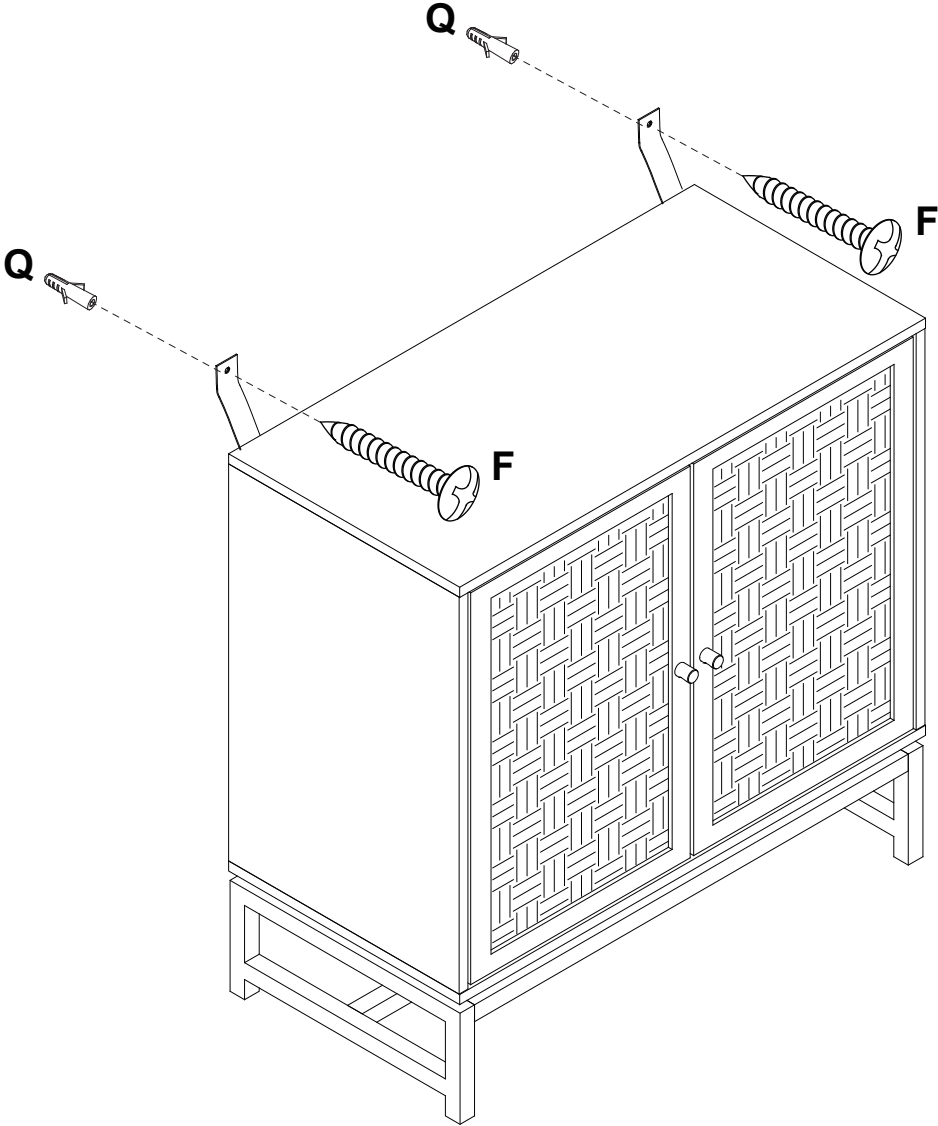
# Step 13



# Step 14

<b>F</b>	<b>x 2</b>
	

<b>Q</b>	<b>x 2</b>
	



# Proper Use

- DO NOT** use for commercial purposes
- DO NOT** use as a step stool or stand on table
- DO NOT** put hot serving liquid directly on the table top
- DO NOT** leave spilled liquid on the table top
- DO NOT** use table if damaged
- DO NOT** exceed weight limit
- DO NOT** make temporary repairs
- DO NOT** use outdoor