

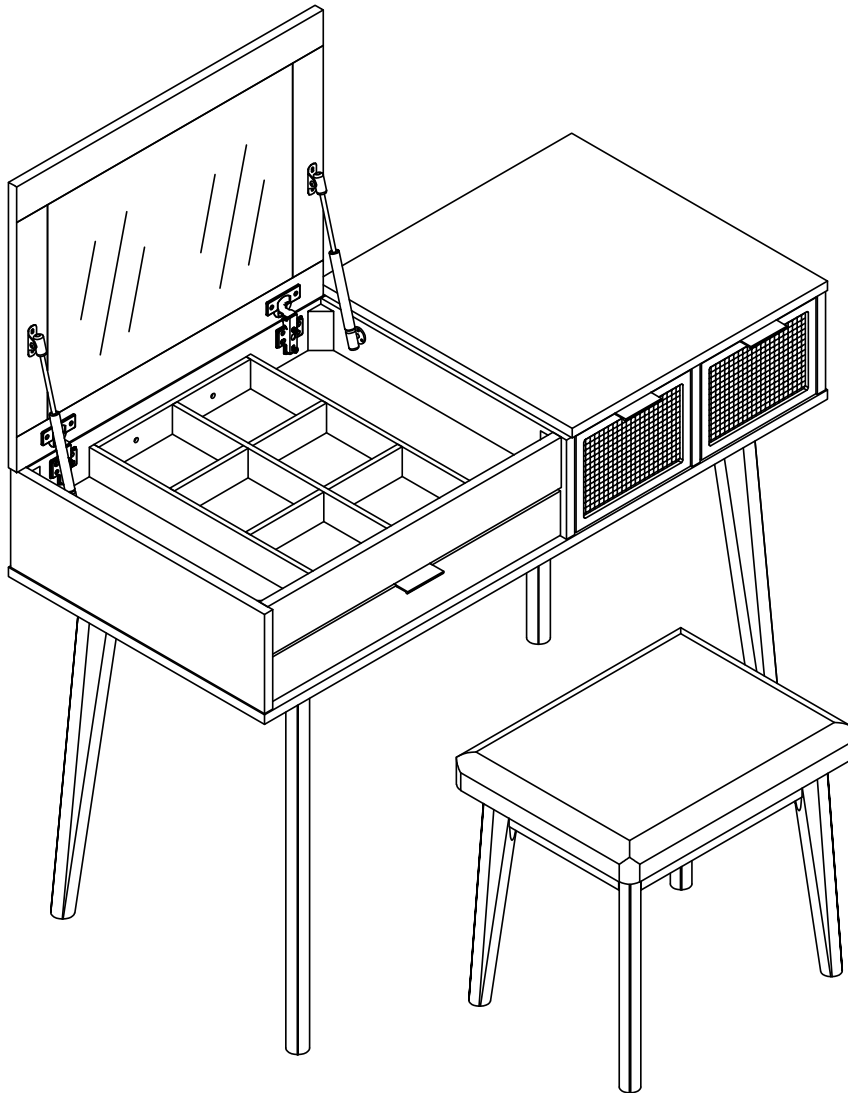
Assembly Instructions

ELR16MB701 MAKEUP VANITY

Thank you for purchasing this quality product. Be sure to check all packing materials carefully for small parts, which may have come loose inside the carton during shipment. Identify and count all items and compare with the PARTS LIST and/or HARDWARE LIST shown below.

Caution: Please read the instructions thoroughly before assembly.

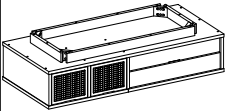

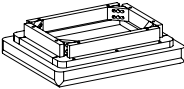
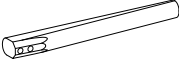
1. We recommend that you assemble this product with the assistance of another person; this will make the assembly easier, and will help eliminate damage to the product or injury to persons during assembly.
2. Please do not over tighten screws or bolts until the assembly is completed.
3. Please put all parts on a non-abrasive floor before assembly, and follow the assembly steps to assemble your newly purchased product correctly and efficiently.





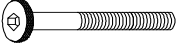

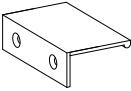

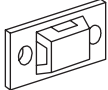
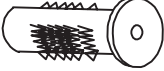
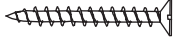

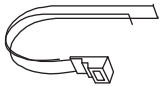
Assembly Instructions

ELR16MB701 MAKEUP VANITY

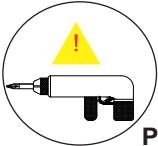
PARTS LIST

NO.	COMPONENT	SKETCH	QTY.
A	TABLE		1 PC
B	LEGS OF TABLE		4 PCS
C	SEAT OF STOOL		1 PC
D	LEGS OF STOOL		4 PCS

HARDWARE LIST

NO.	COMPONENT	SKETCH	QTY.
1	FLAT WASHER 1/4" DIA.		16 PCS
2	SPRING WASHER 1/4" DIA.		16 PCS
3	BOLT 1/4" x 2 2/5"		16 PCS
4	ALLEN KEY M4		1 PC
5	HANDLE		3 PCS
6	WOOD SCREW #3 x 15mm L		6 PCS
7	Plastic Bracket (Anti-Tip Kit)		2 PCS
8	Plastic Anchor (Anti-Tip Kit)		2 PCS
9	LONG SCREW #4 x 40mm L (Anti-Tip Kit)		2 PCS
10	SHORT SCREW #3.5 x 15mm L (Anti-Tip Kit)		2PCS
11	Plastic Strap (Anti-Tip Kit)		1PC

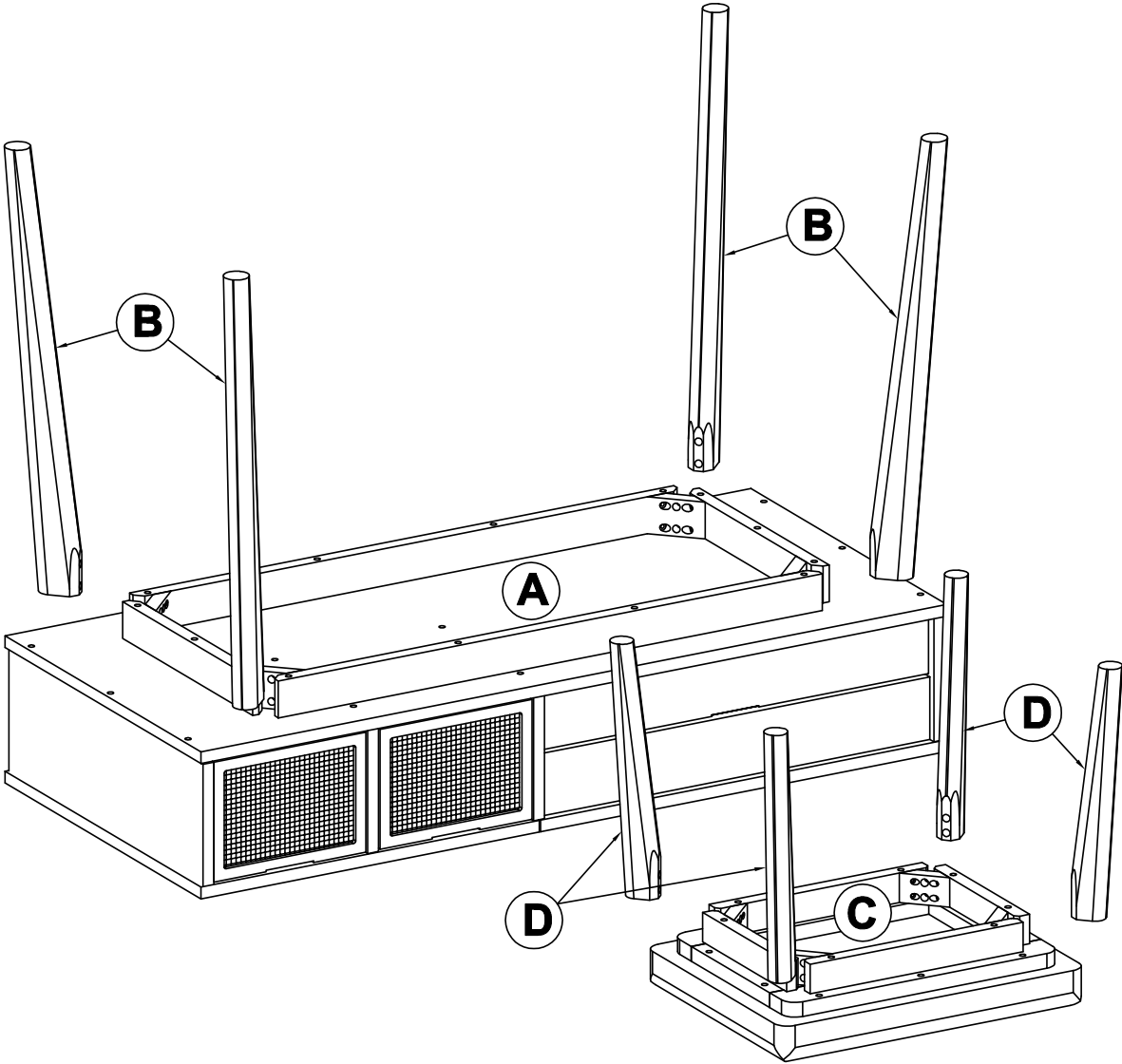
Assembly Instructions



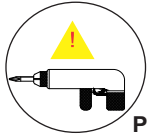
ASSEMBLY TOOLS REQUIRED (NOT INCLUDED)



PLEASE BE CAREFUL DO NOT DAMAGE THE HOLE POSITION WHEN YOU USE POWERTOOLS!



Assembly Instructions

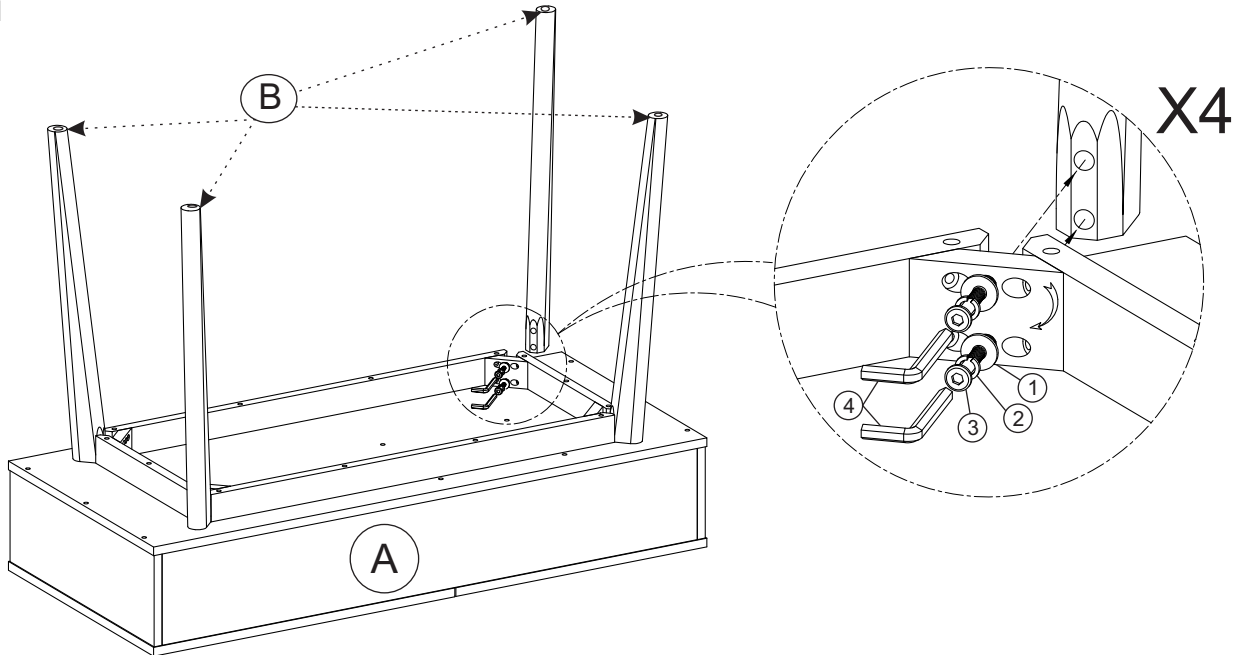


ASSEMBLY TOOLS REQUIRED (NOT INCLUDED)



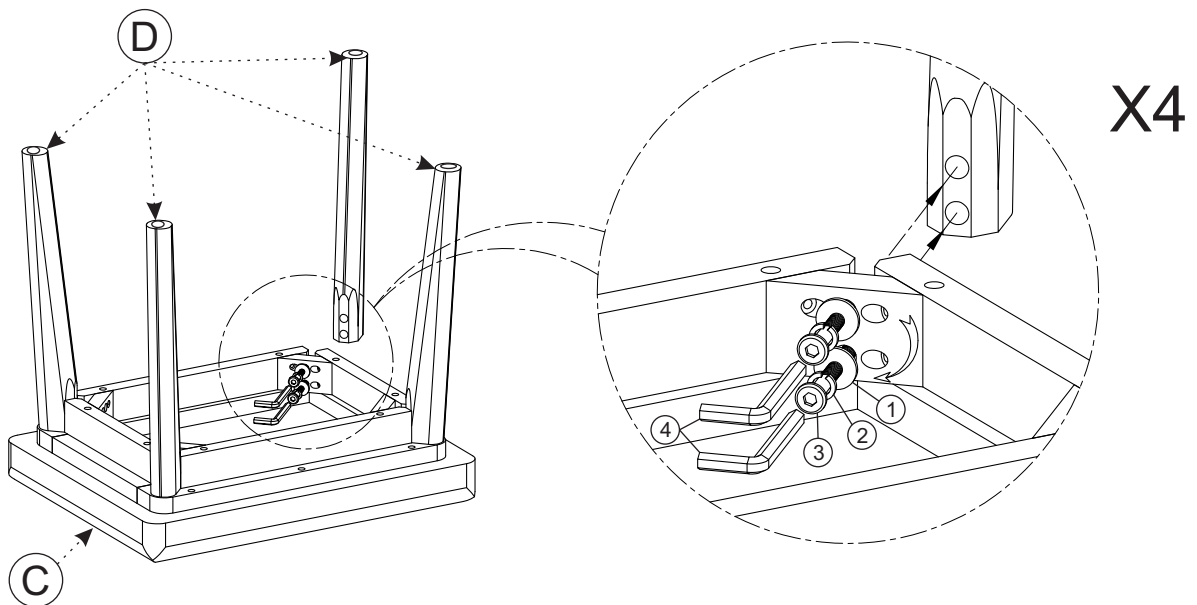
PLEASE BE CAREFUL DO NOT DAMAGE THE HOLE POSITION WHEN YOU USE POWERTOOLS!

STEP 1



A x1 B x4 ①x8 ②x8 ③x8 ④x1

STEP 2

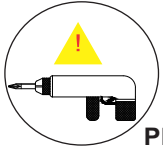


C x1 D x4 ①x8 ②x8 ③x8 ④x1

Assembly Instructions

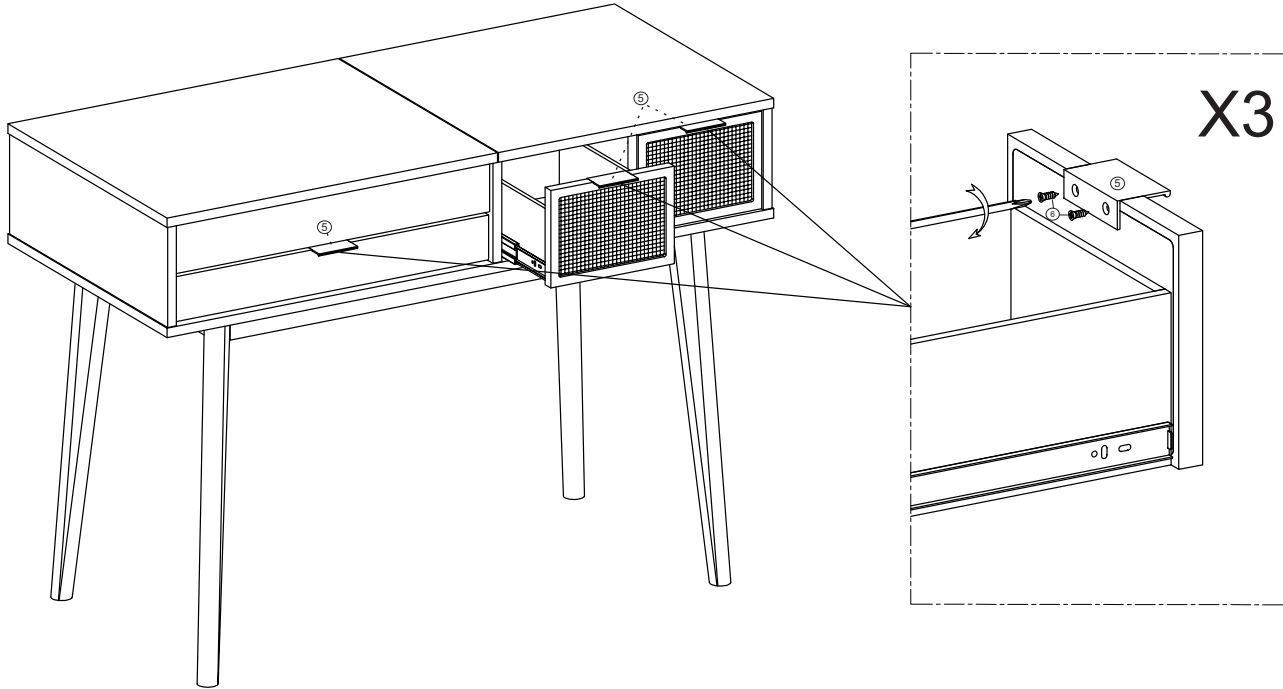
ELR16MB701 MAKEUP VANITY

ASSEMBLY TOOLS REQUIRED (NOT INCLUDED)



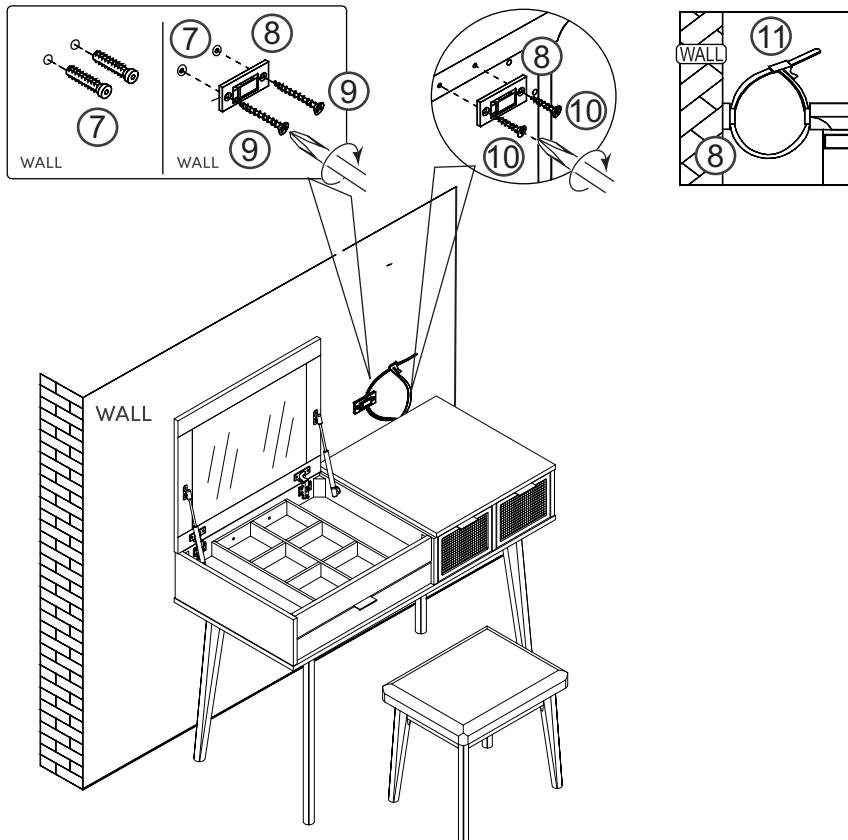
PLEASE BE CAREFUL DO NOT DAMAGE THE HOLE POSITION WHEN YOU USE POWERTOOLS!

STEP 3



5x3 6x6

STEP 4



7x2 8x2 9x2 10x2 11x1

MADE IN VIETNAM

PAGE: 5 OF 5