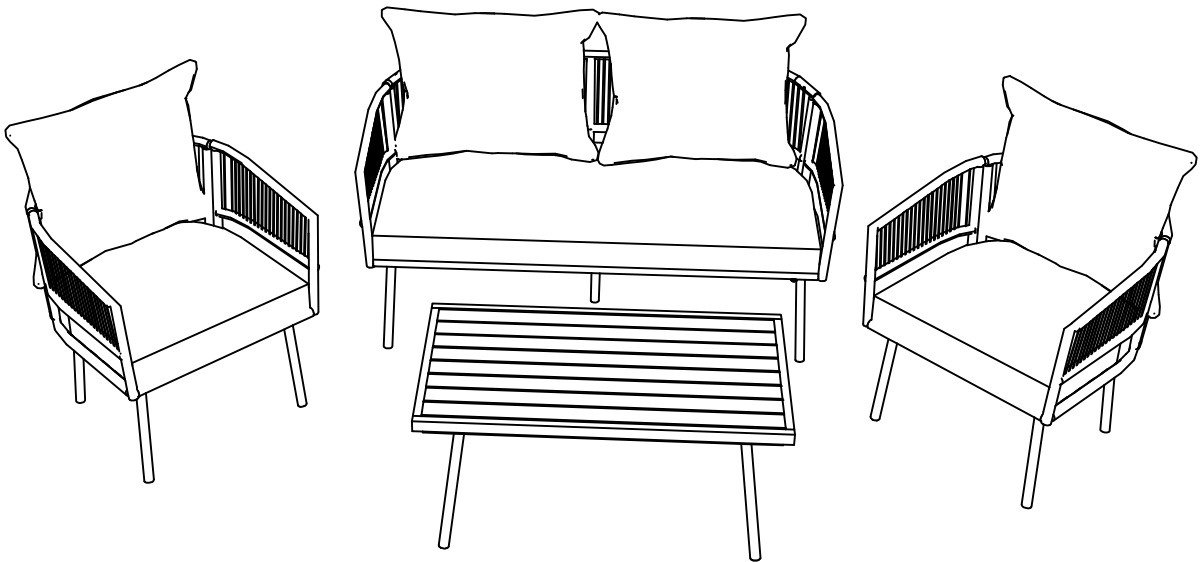


ASSEMBLY INSTRUCTION

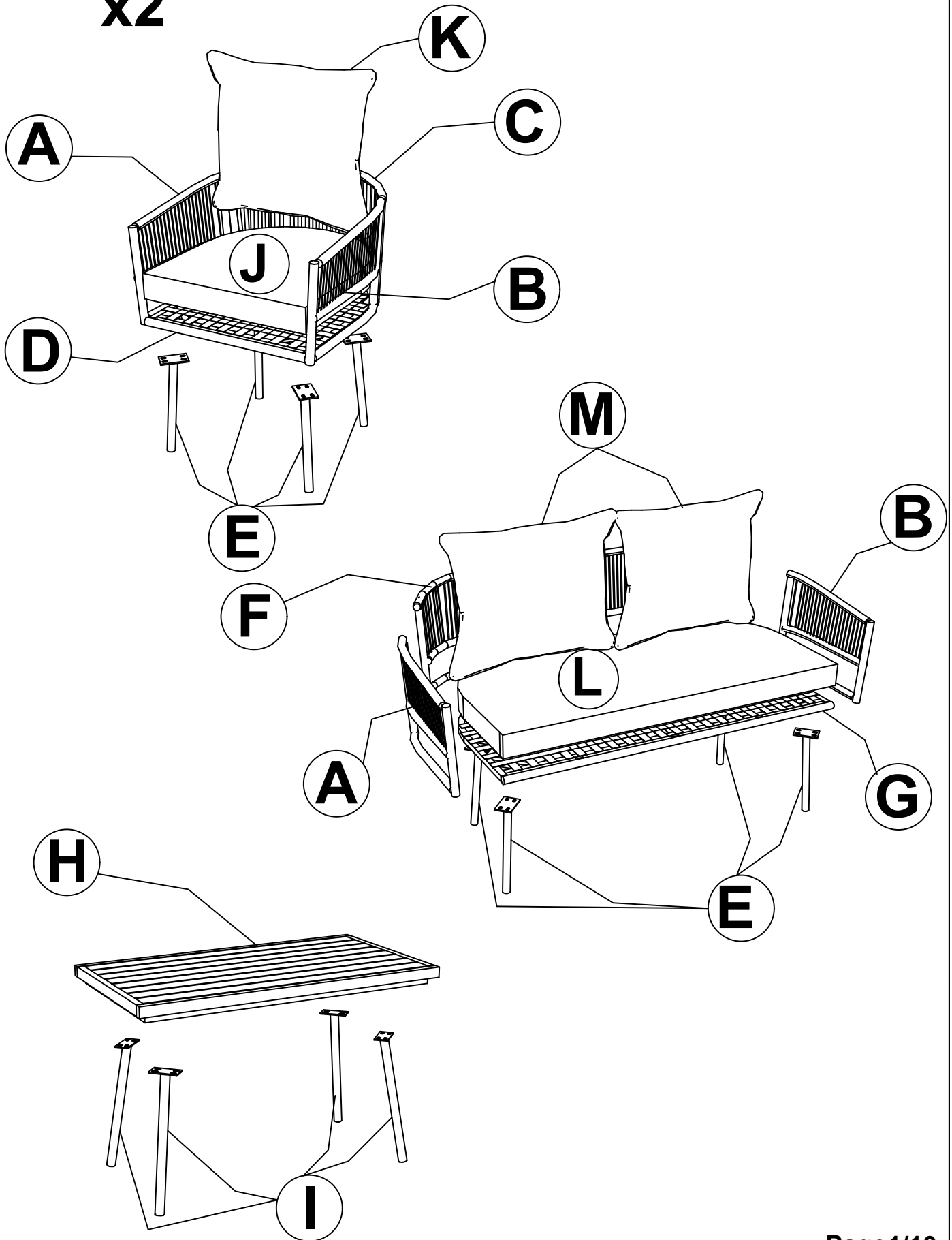


ELR36L3D01

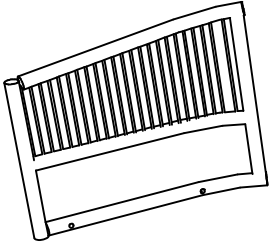
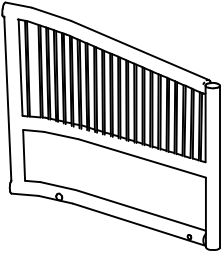
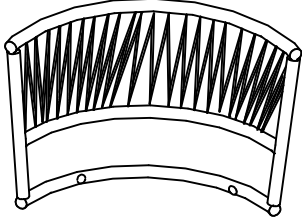
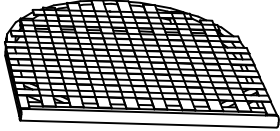
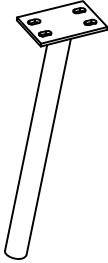
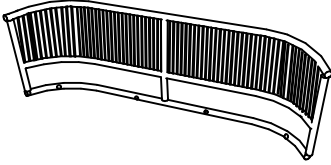
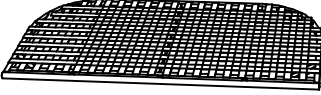
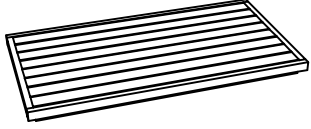
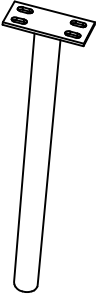
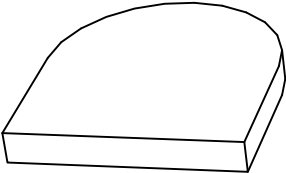
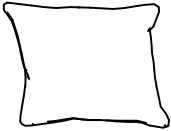
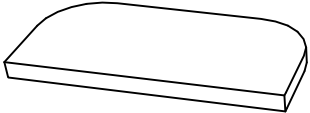
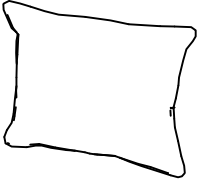
Notice:

1. 50% Tighten before fixing all screws, Allen wrench is recommended instead of an electric drill.
2. Place the item on a flat ground to adjust and make sure it remains stable.
3. Tighten up all screws with tools gradually.
4. If the screws are not aligned with holes during assembly, please loosen all the other screws to 50% and continue the assembly process.
5. If the item is not stable, please loosen all the screws, adjust it on a flat ground and tighten up all screws again.
6. Note : If one or some screws are fully tightened during assembly, chances are the others will not be aligned with holes. In addition, all the holes are designed to be relatively larger to provide more space for the adjustment of the screws.

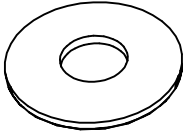
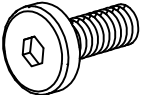
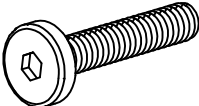
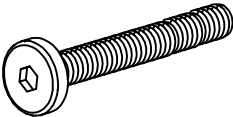

x2



PART LIST

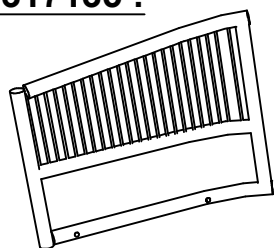
			
Ax3	Bx3	Cx2	Dx2
			
Ex12	Fx1	Gx1	Hx1
			
Ix4	Jx2	Kx2	Lx1
			
Mx2			

HARDWARE LIST

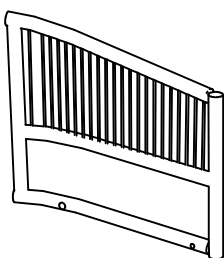
				
1- Washer: 96 pcs Extra : 2 pcs	2- Bolt 6x15: 64 pcs Extra : 2 pcs	3- Bolt 6x40: 20 pcs Extra : 2 pcs	4- Bolt 6x50: 12 pcs Extra : 2 pcs	5- Allen key: 2 pcs

CARTON CONTENT :

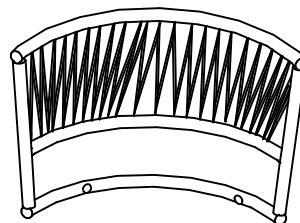
WF317135 :



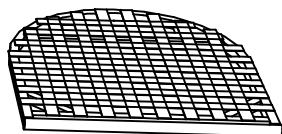
Ax2



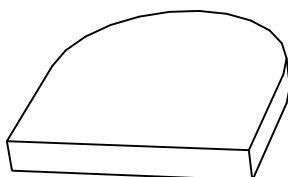
Bx2



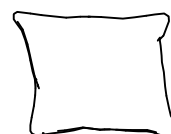
Cx2



Dx2

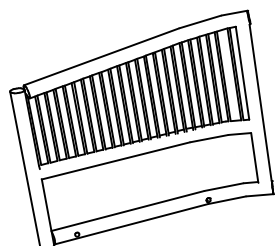


Jx2

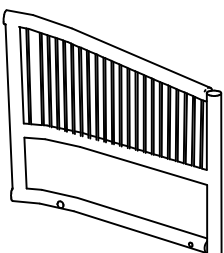


Kx2

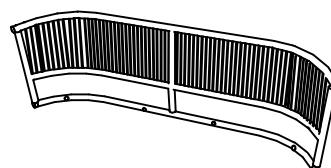
WF317136 :



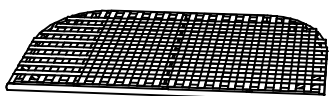
Ax1



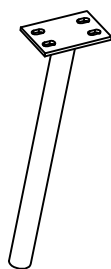
Bx1



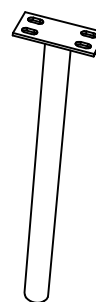
Fx1



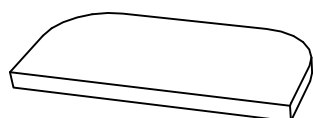
Gx1



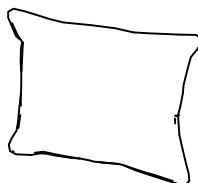
Ex12



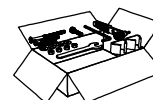
Ix4



Lx1

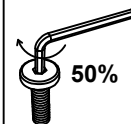


Mx2

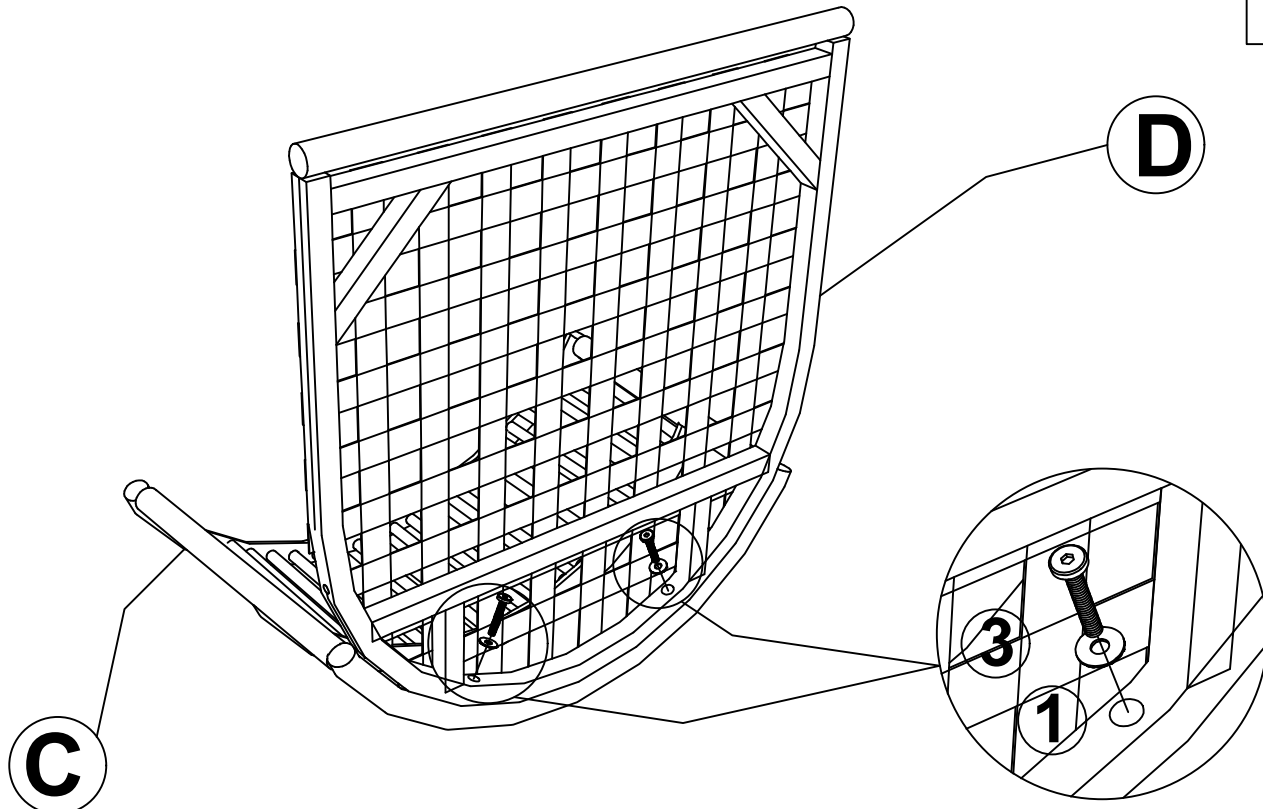


Hardware

Step 1

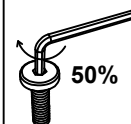


x2

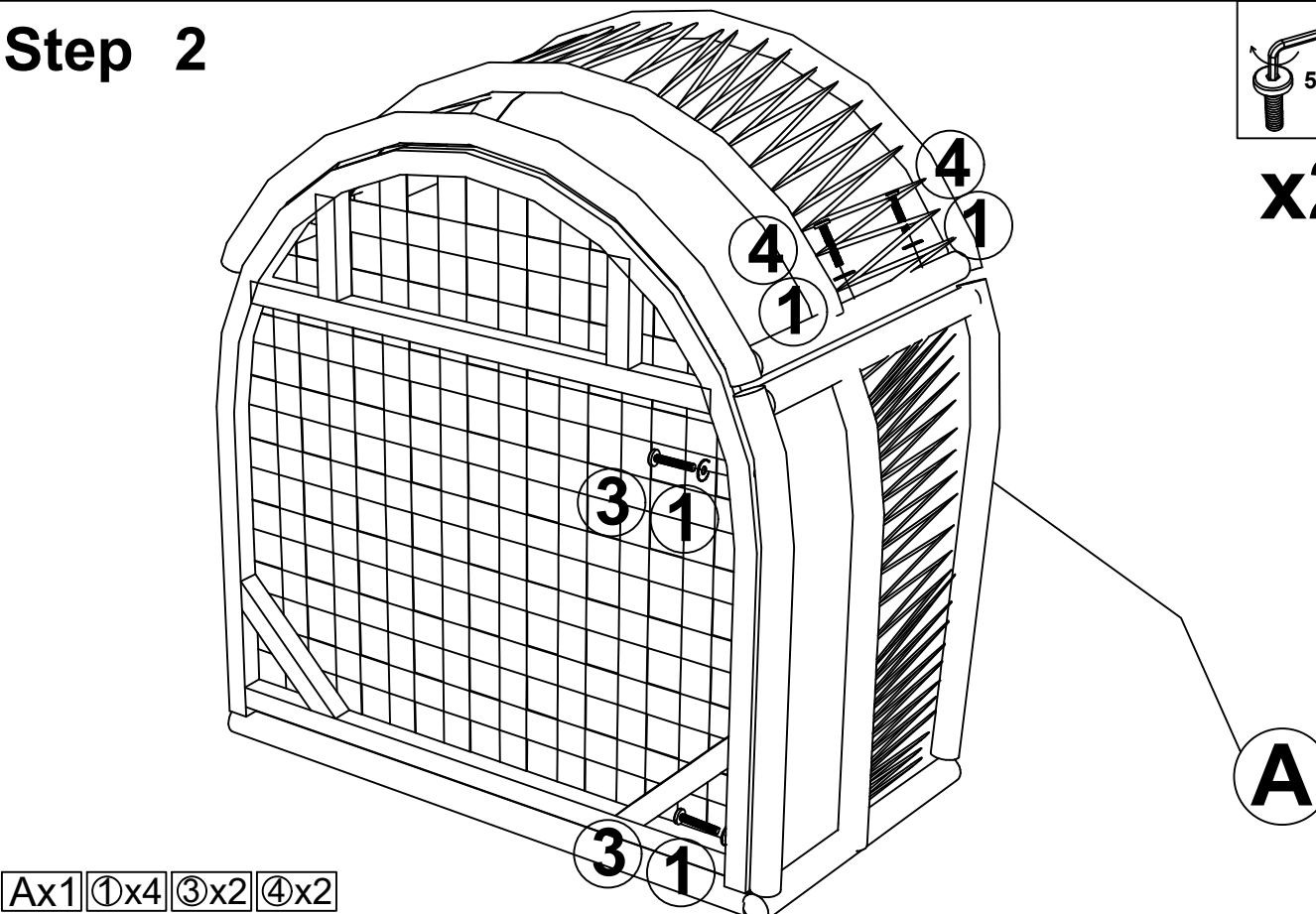


Cx1 Dx1 ①x2 ③x2

Step 2



x2



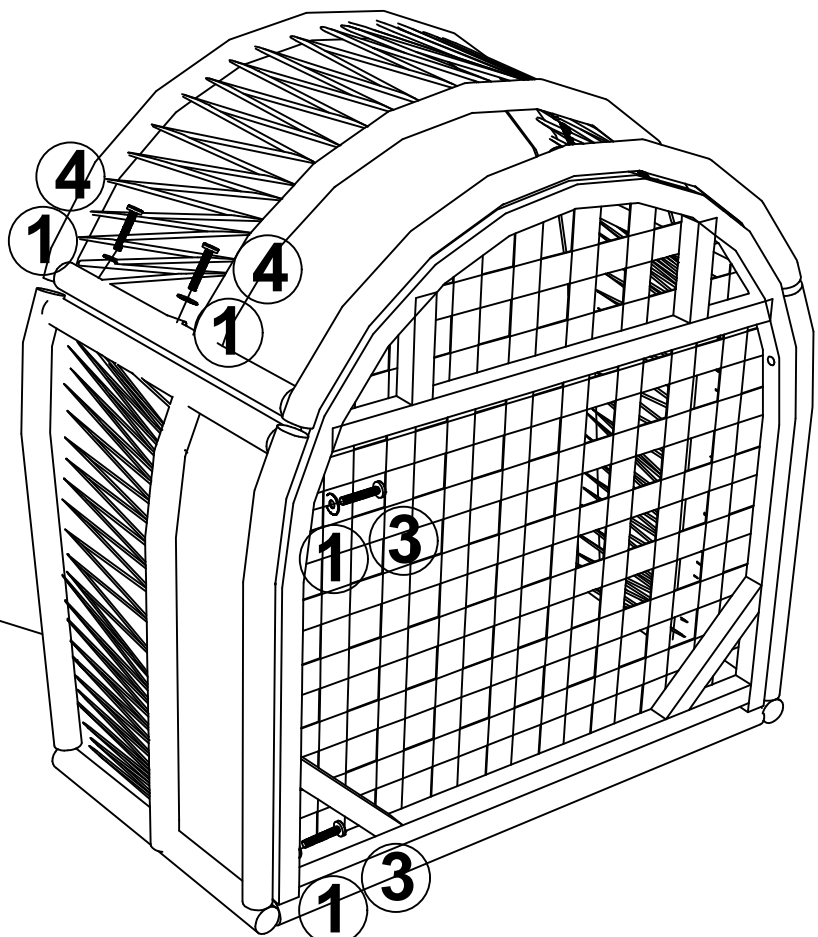
Ax1 ①x4 ③x2 ④x2

Step 3



x2

B



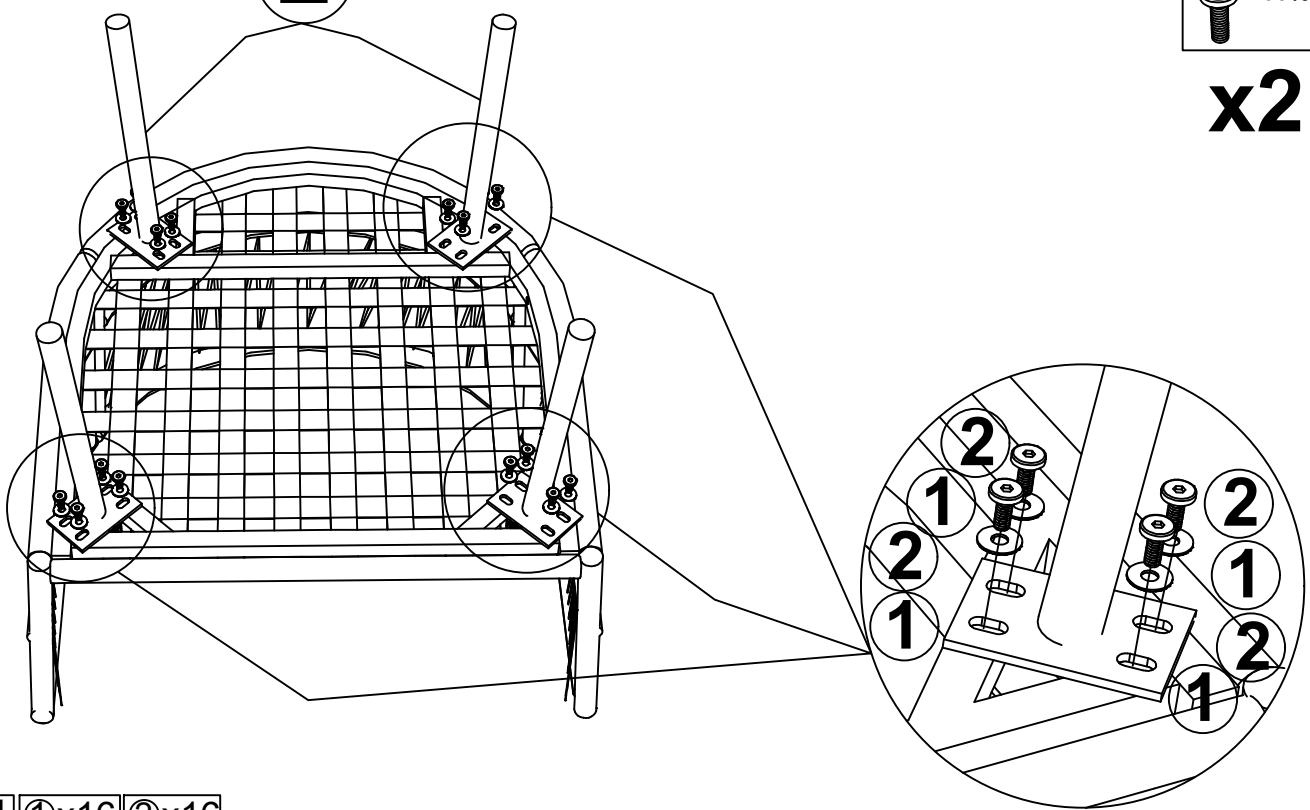
Bx1 ①x4 ③x2 ④x2

Step 4



x2

E

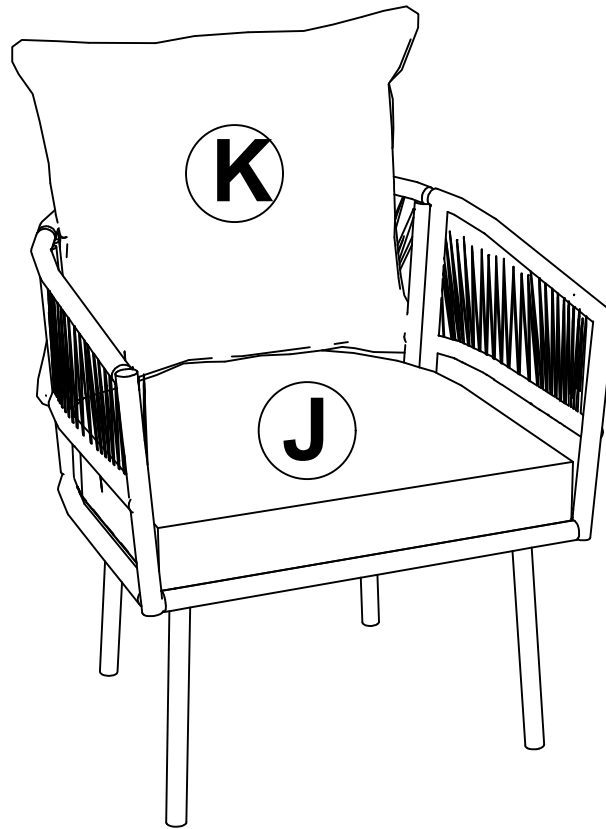


E x4 ①x16 ②x16

Step 5



x2

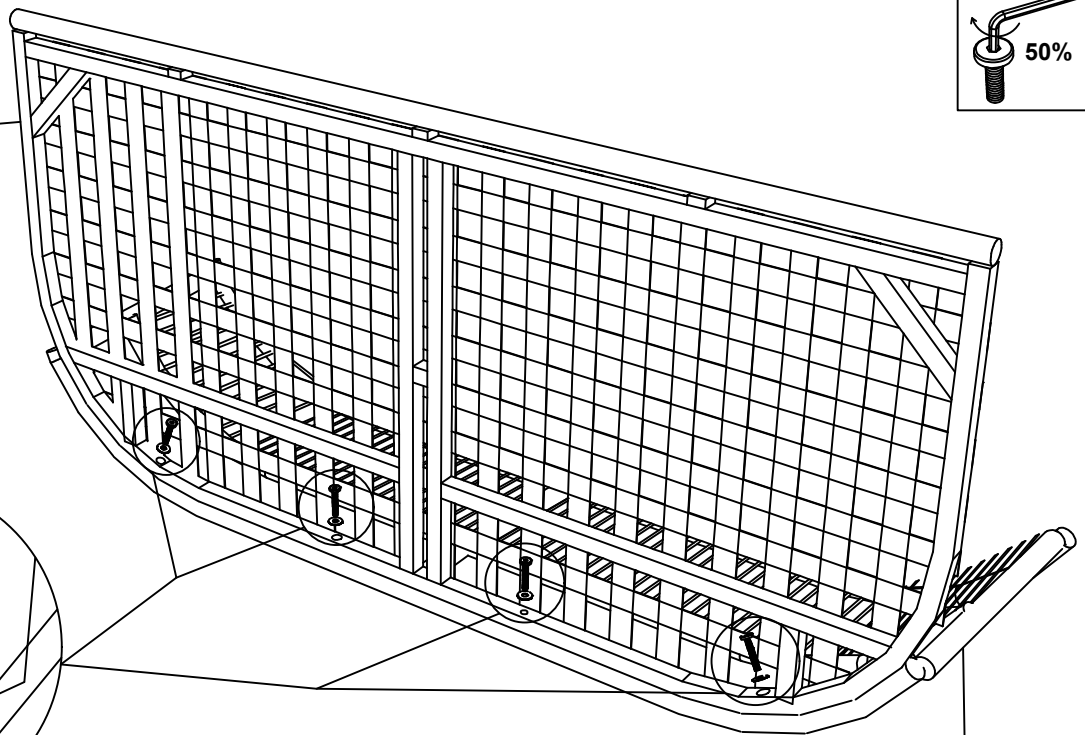
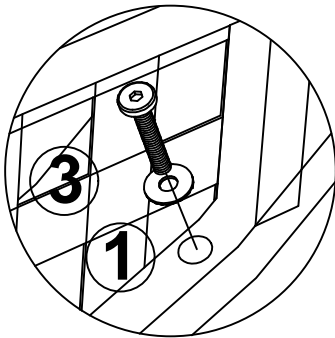


Jx1 Kx1

Step 6



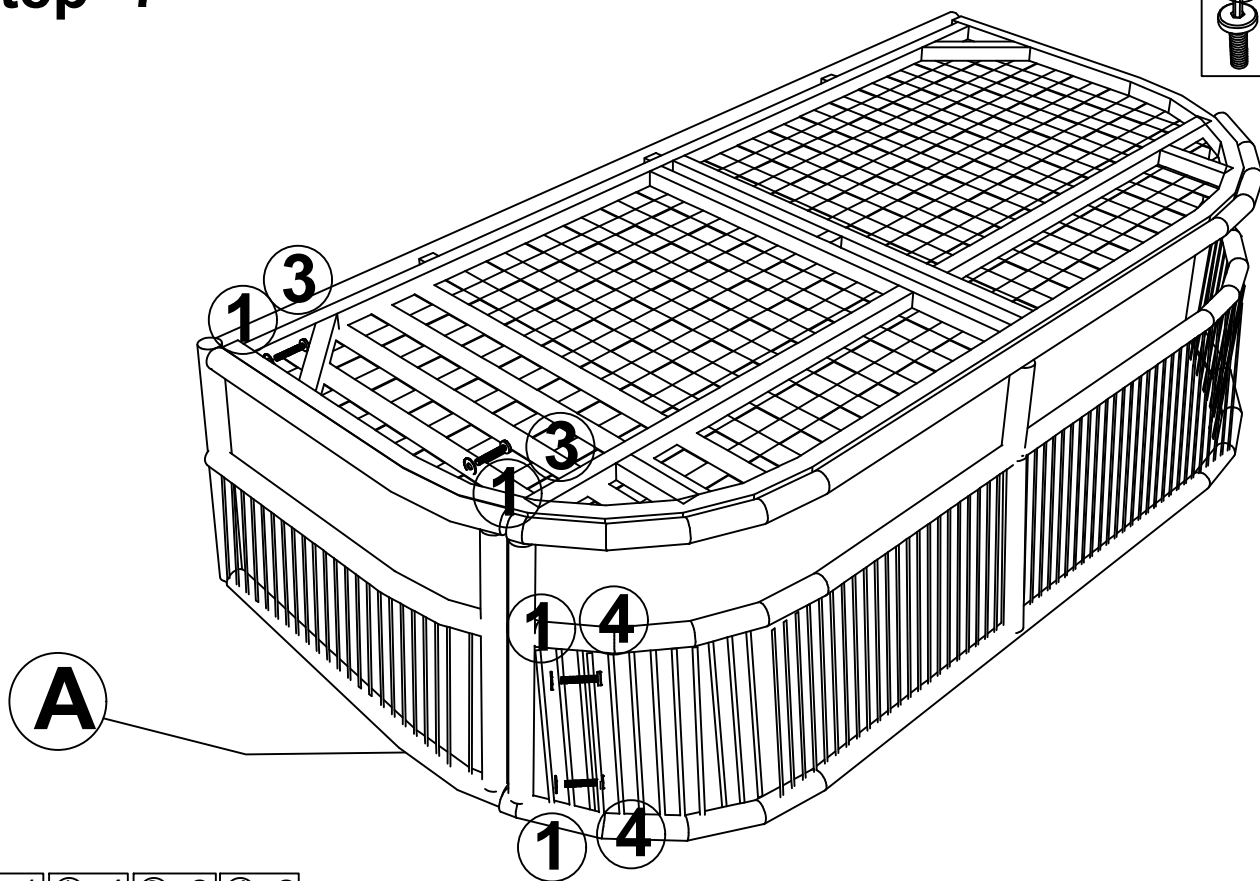
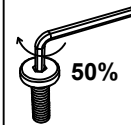
G



F

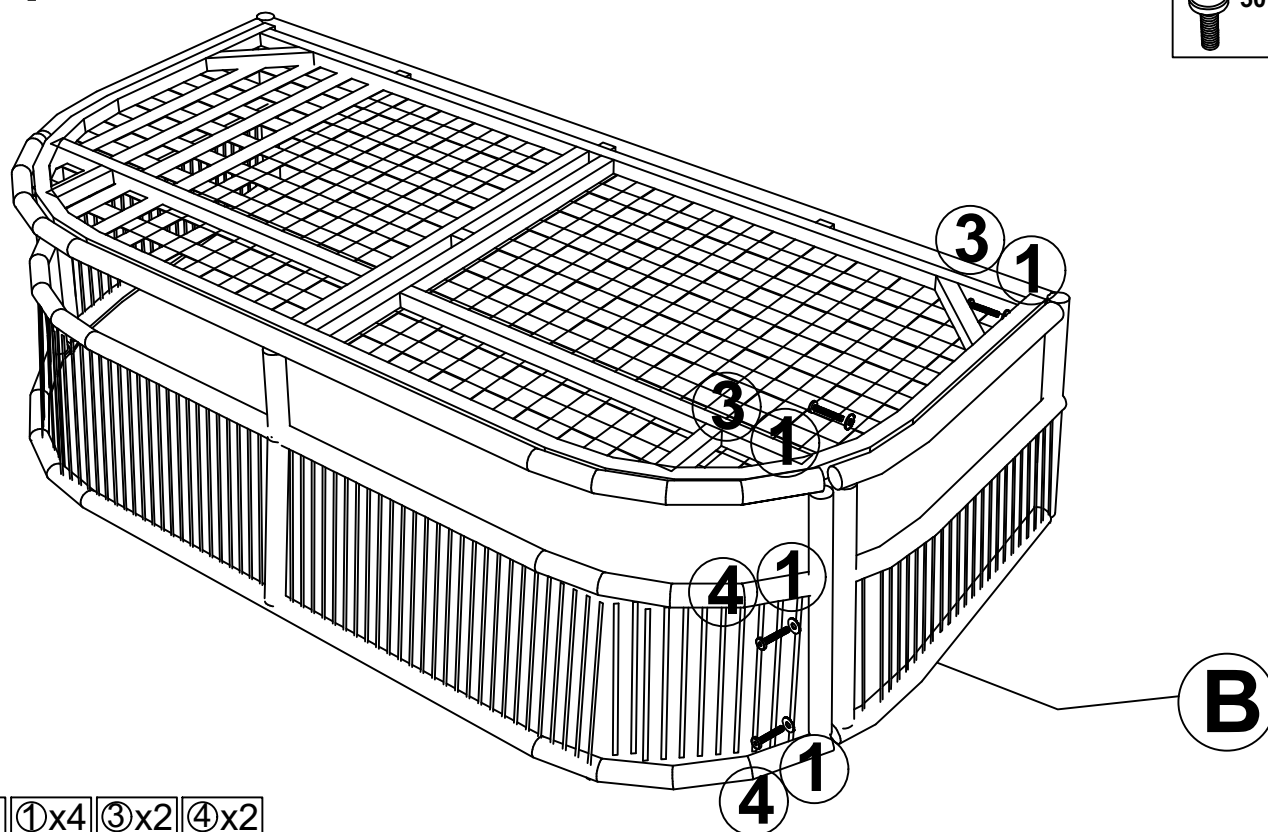
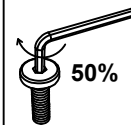
Gx1 Fx1 ①x4 ③x4

Step 7



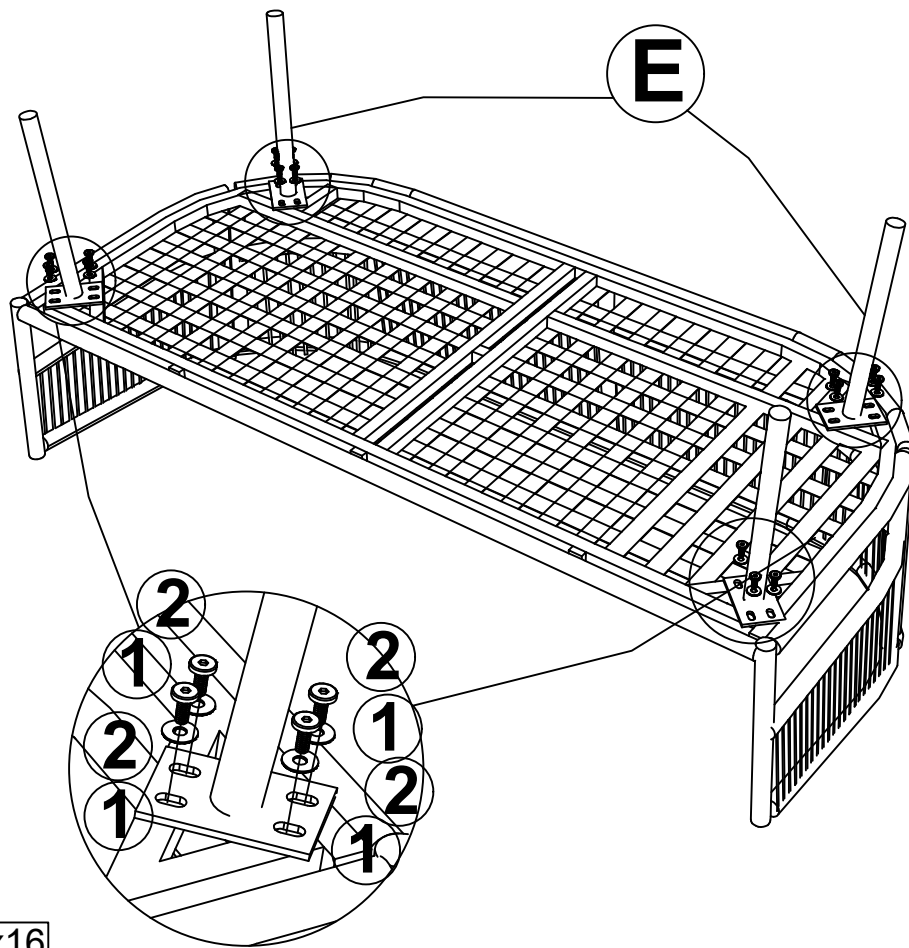
Ax1 ①x4 ③x2 ④x2

Step 8



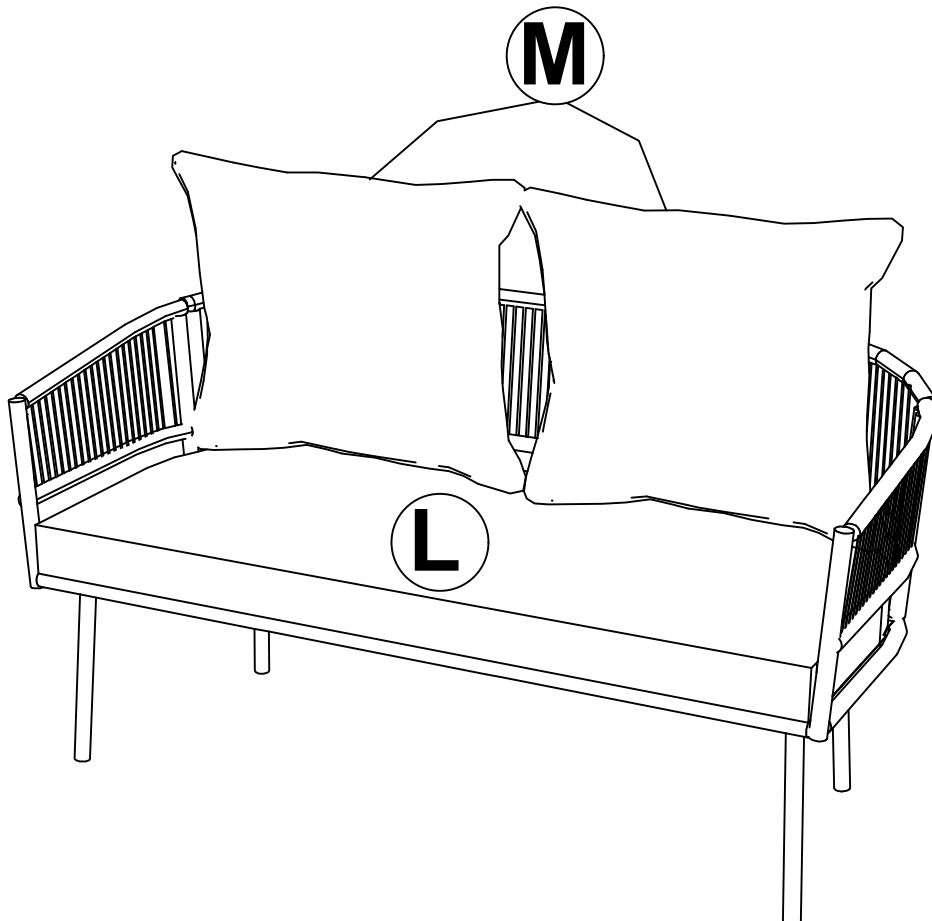
Bx1 ①x4 ③x2 ④x2

Step 9



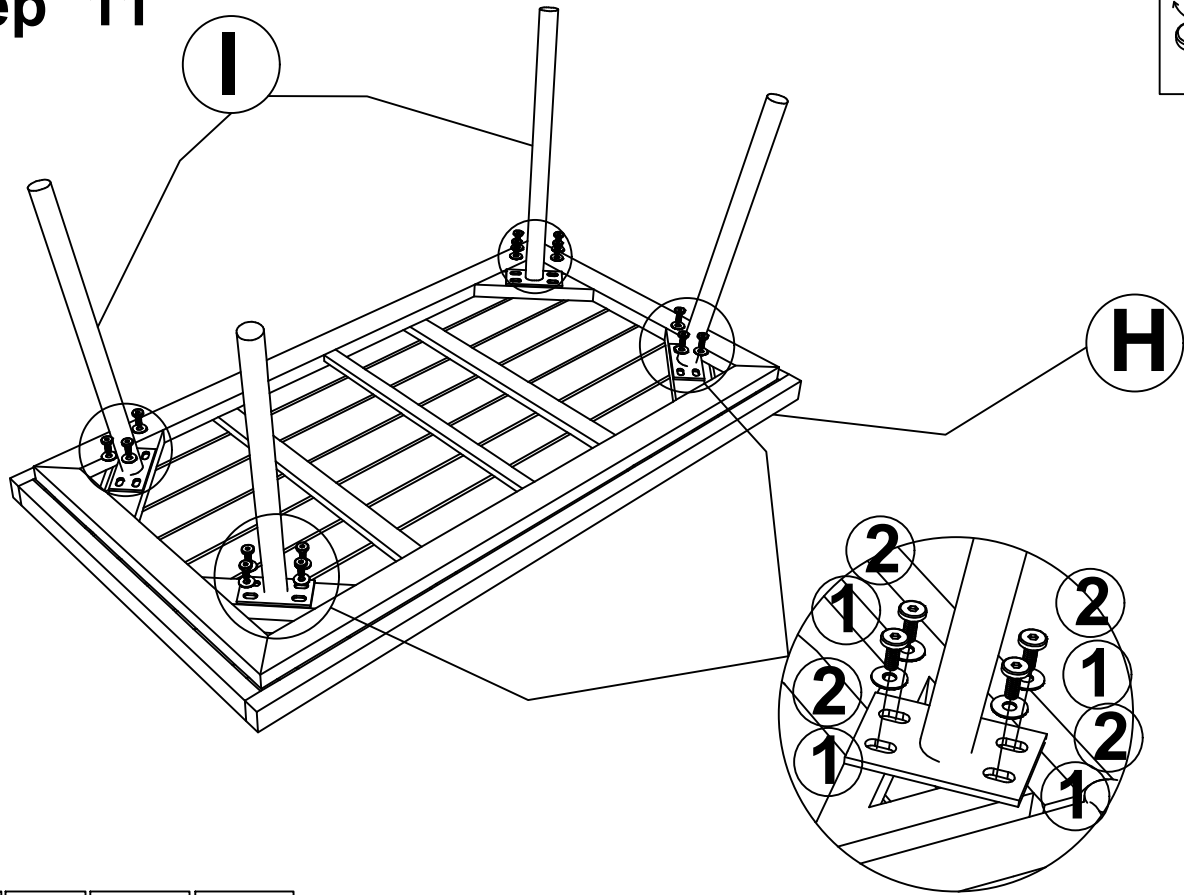
Ex4 ①x16 ②x16

Step 10



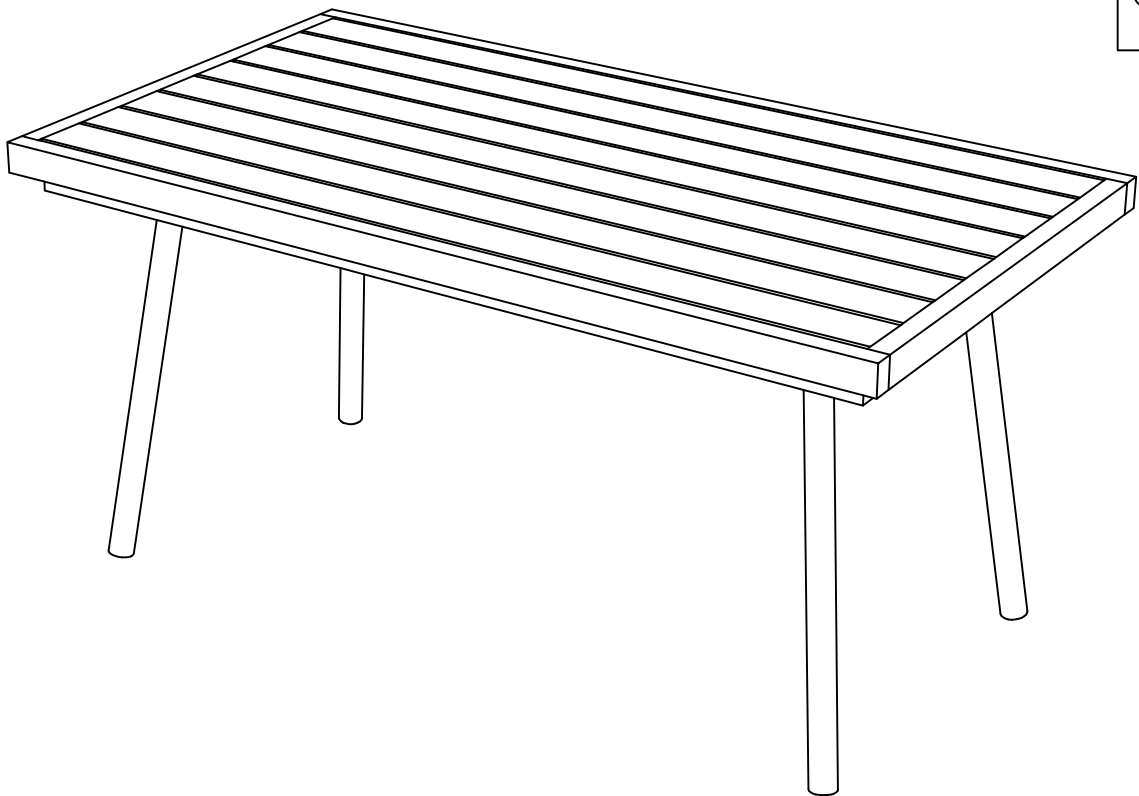
Lx1 Mx2

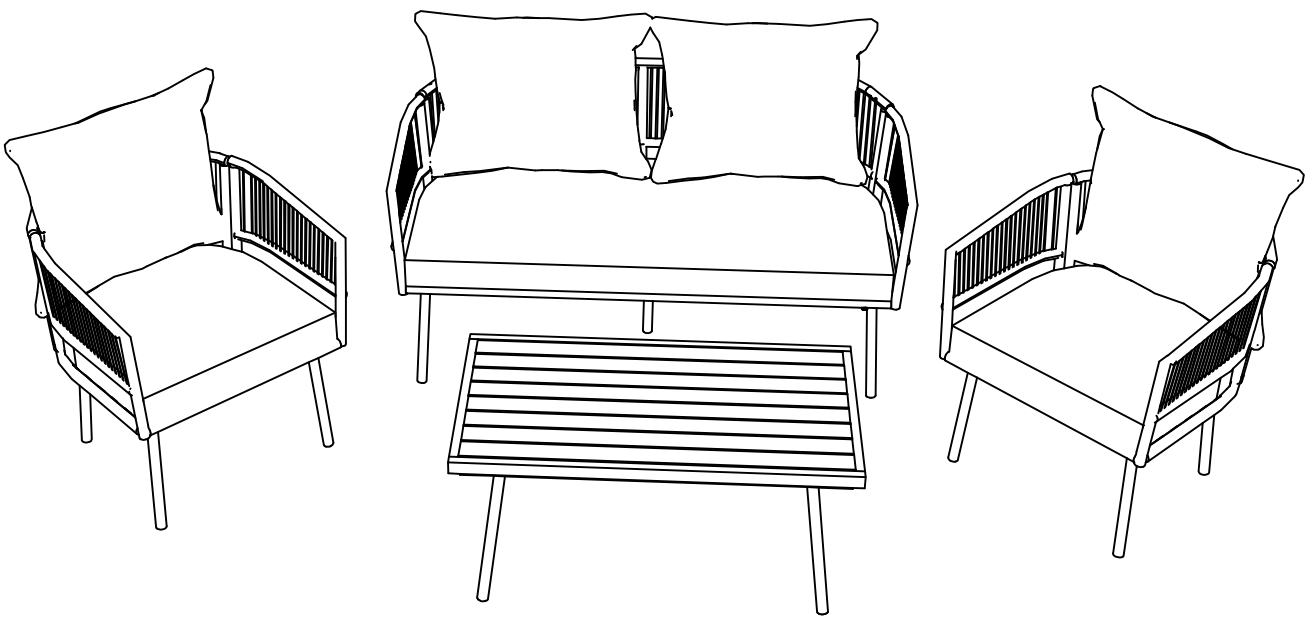
Step 11



Hx1 | I x4 | ①x16 | ②x16

Step 12





Finish