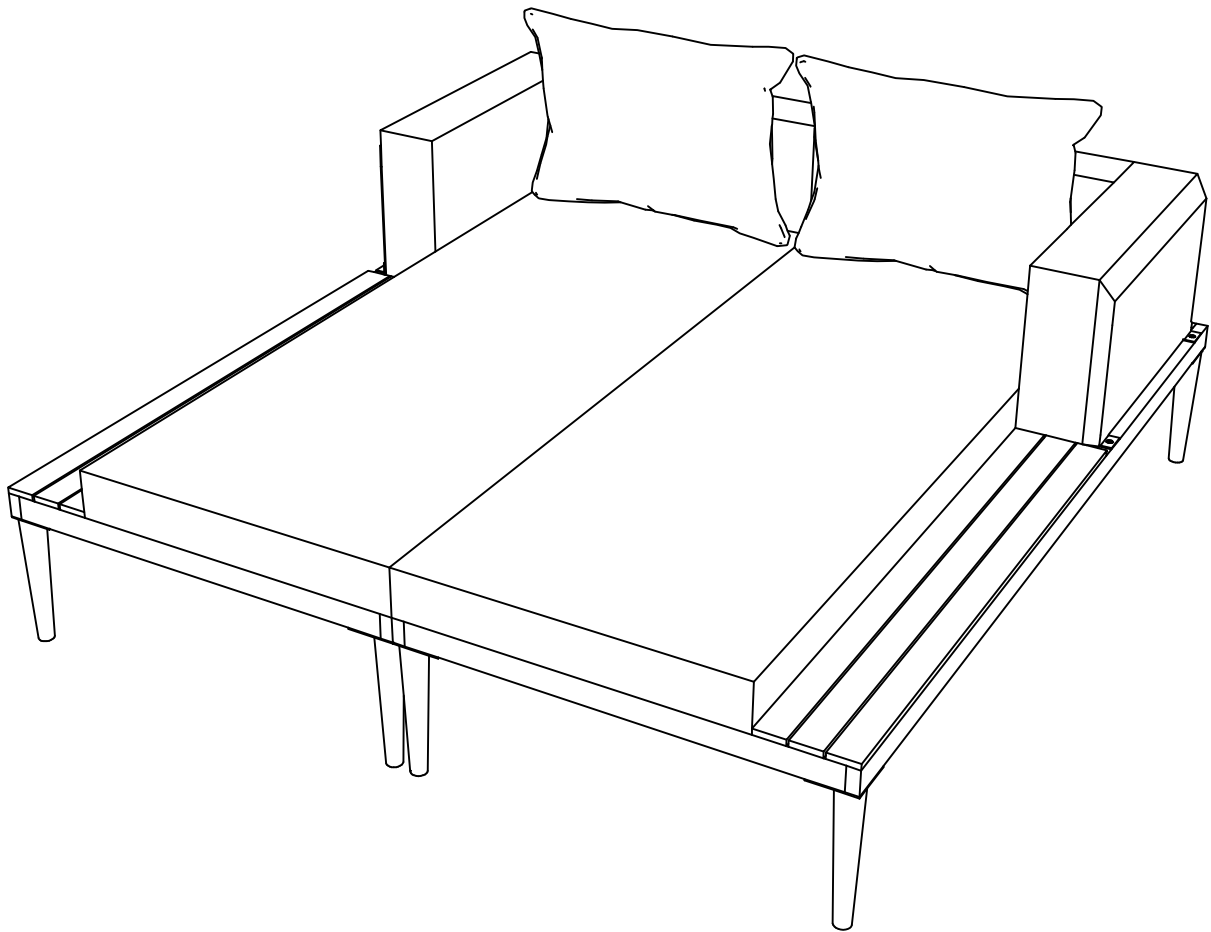


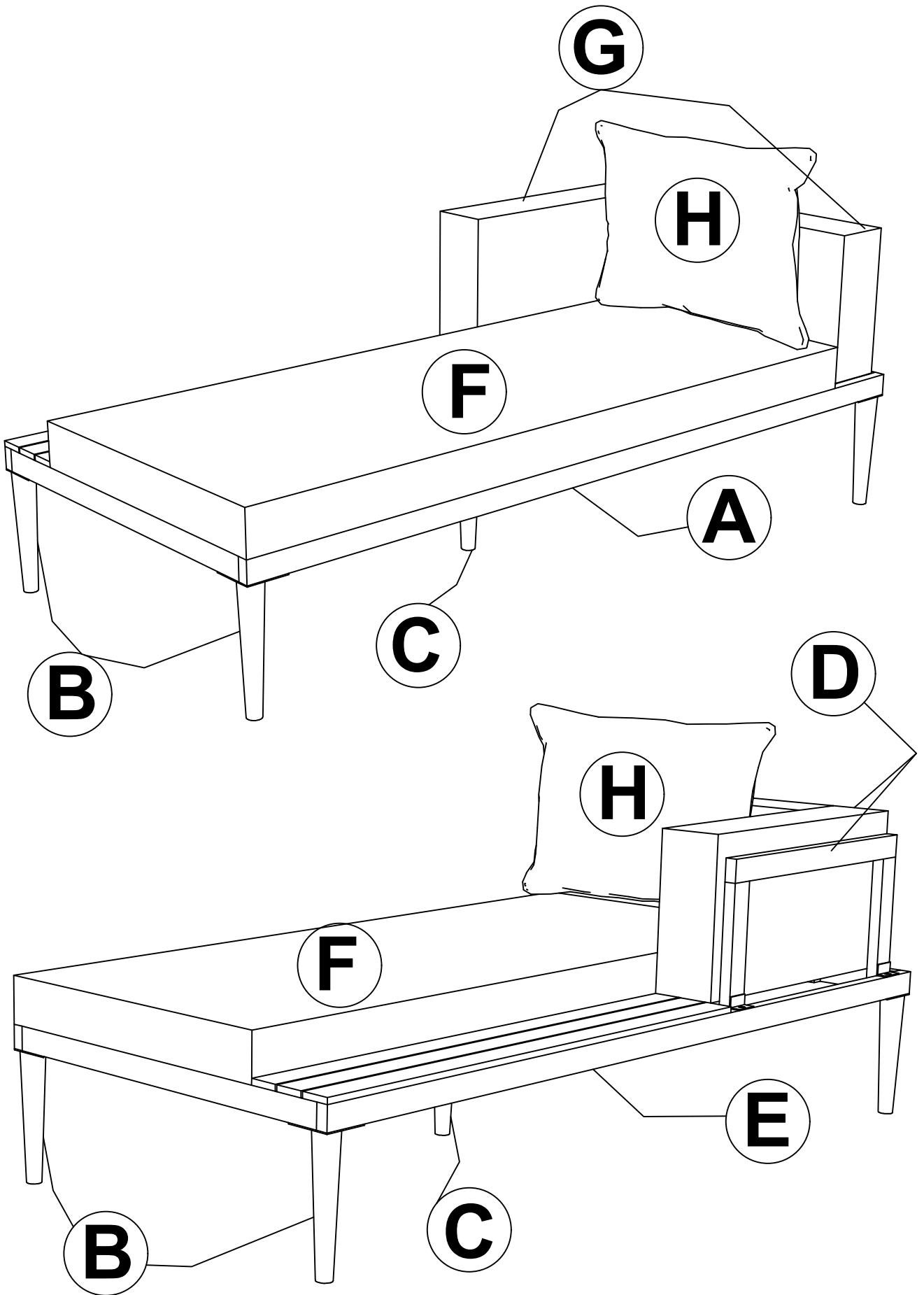
# ASSEMBLY INSTRUCTION



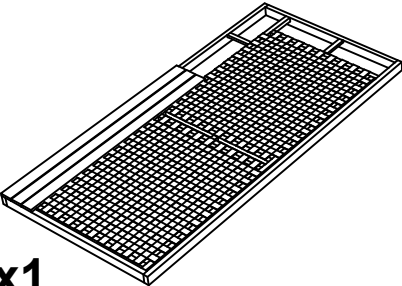
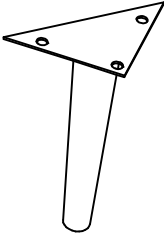
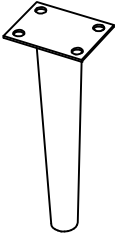
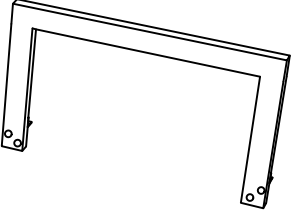
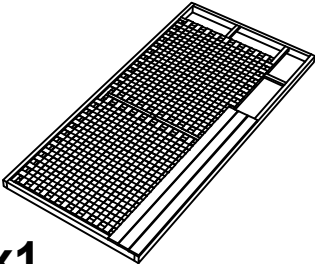
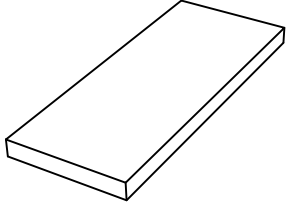
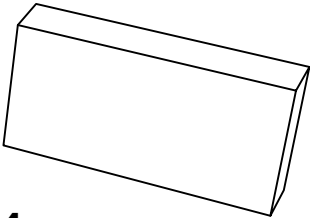
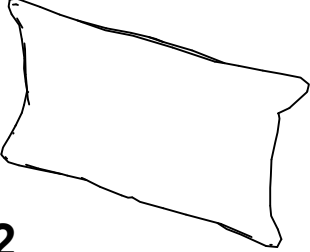
## ELR60W6Q01

### Notice:

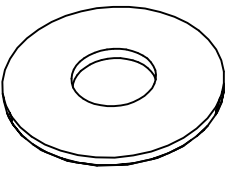
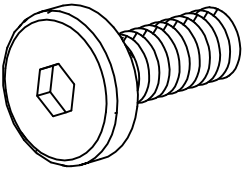
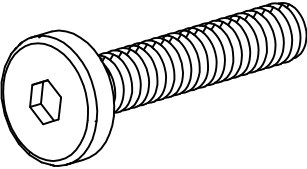

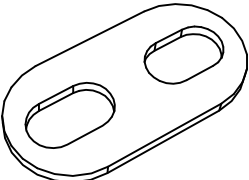
1. 50% Tighten before fixing all screws, Allen wrench is recommended instead of an electric drill.
2. Place the item on a flat ground to adjust and make sure it remains stable.
3. Tighten up all screws with tools gradually.
4. If the screws are not aligned with holes during assembly, please loosen all the other screws to 50% and continue the assembly process.
5. If the item is not stable, please loosen all the screws, adjust it on a flat ground and tighten up all screws again.
6. Note : If one or some screws are fully tightened during assembly, chances are the others will not be aligned with holes. In addition, all the holes are designed to be relatively larger to provide more space for the adjustment of the screws.



# PART LIST

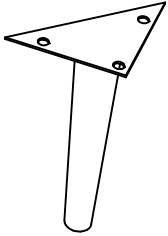
 <p><b>Ax1</b></p>	 <p><b>Bx8</b></p>	 <p><b>Cx2</b></p>
 <p><b>Dx4</b></p>	 <p><b>Ex1</b></p>	 <p><b>Fx2</b></p>
 <p><b>Gx4</b></p>	 <p><b>Hx2</b></p>	

# HARDWARE LIST

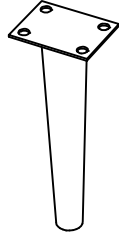
 <p><b>1- Washer : 60 pcs</b> Extra : 2 pcs</p>	 <p><b>2- Bolt 6x15 : 44 pcs</b> Extra : 2 pcs</p>	 <p><b>3- Bolt 6x35 : 16 pcs</b> Extra : 2 pcs</p>	 <p><b>4- Allen key : 2</b></p>
 <p><b>5- Bracket : 2 pcs</b></p>			

# CARTON CONTENT

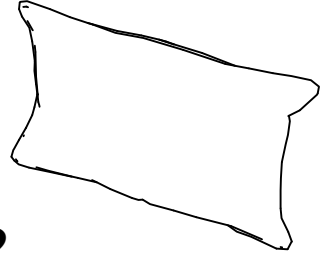
## WF316839



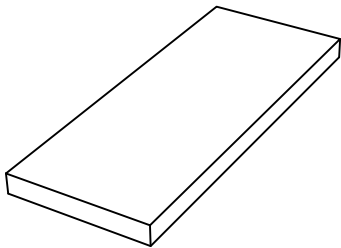
**Bx8**



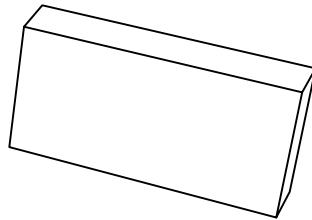
**Cx2**



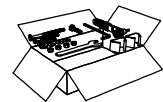
**Hx2**



**Fx2**

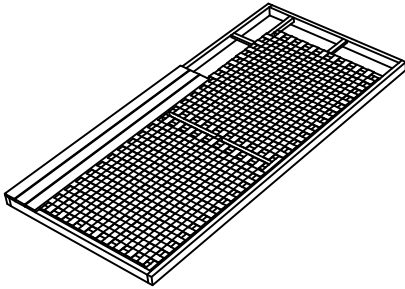


**Gx4**

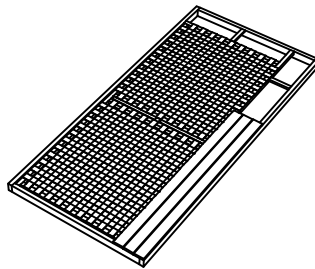


**Hardware**

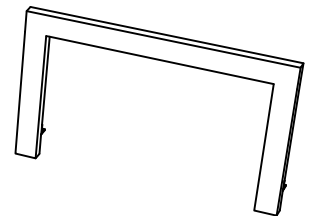
## WF316840



**Ax1**

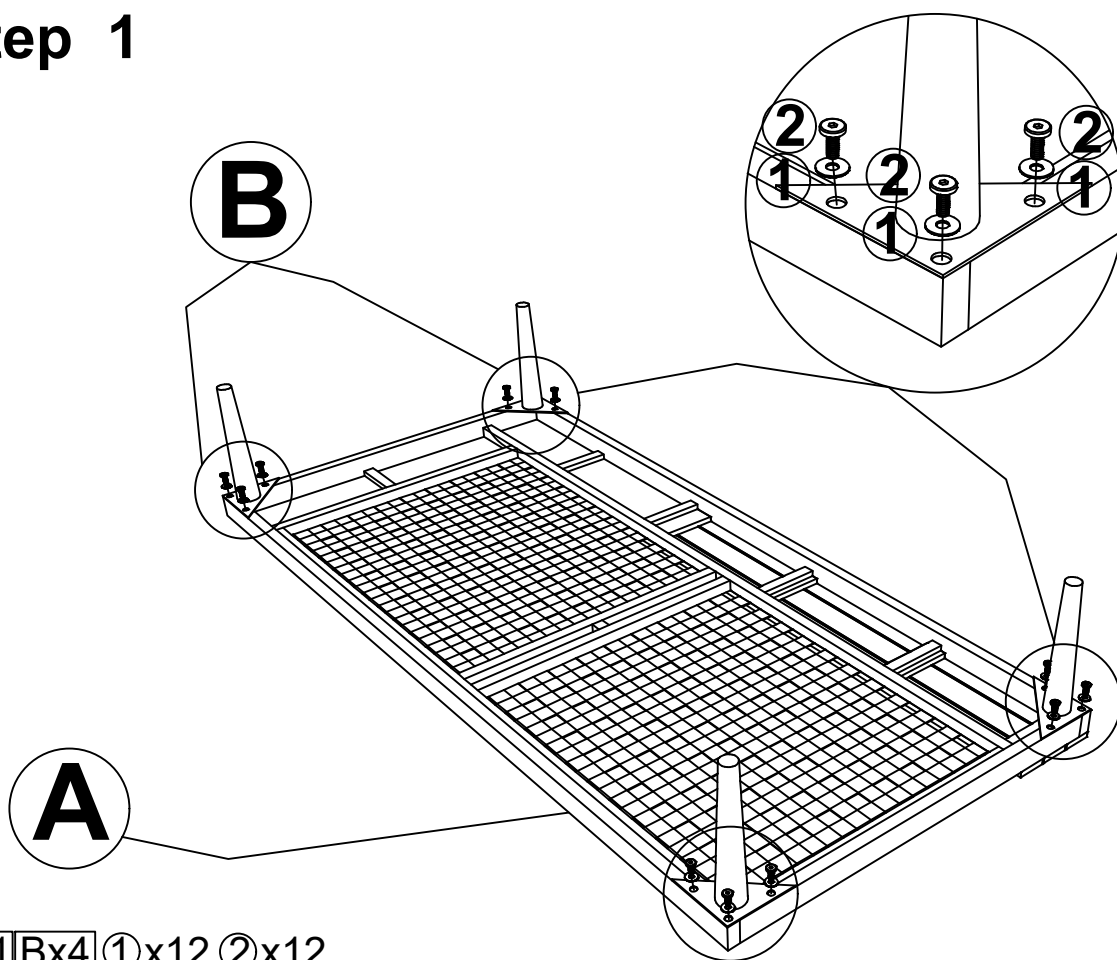


**Ex1**



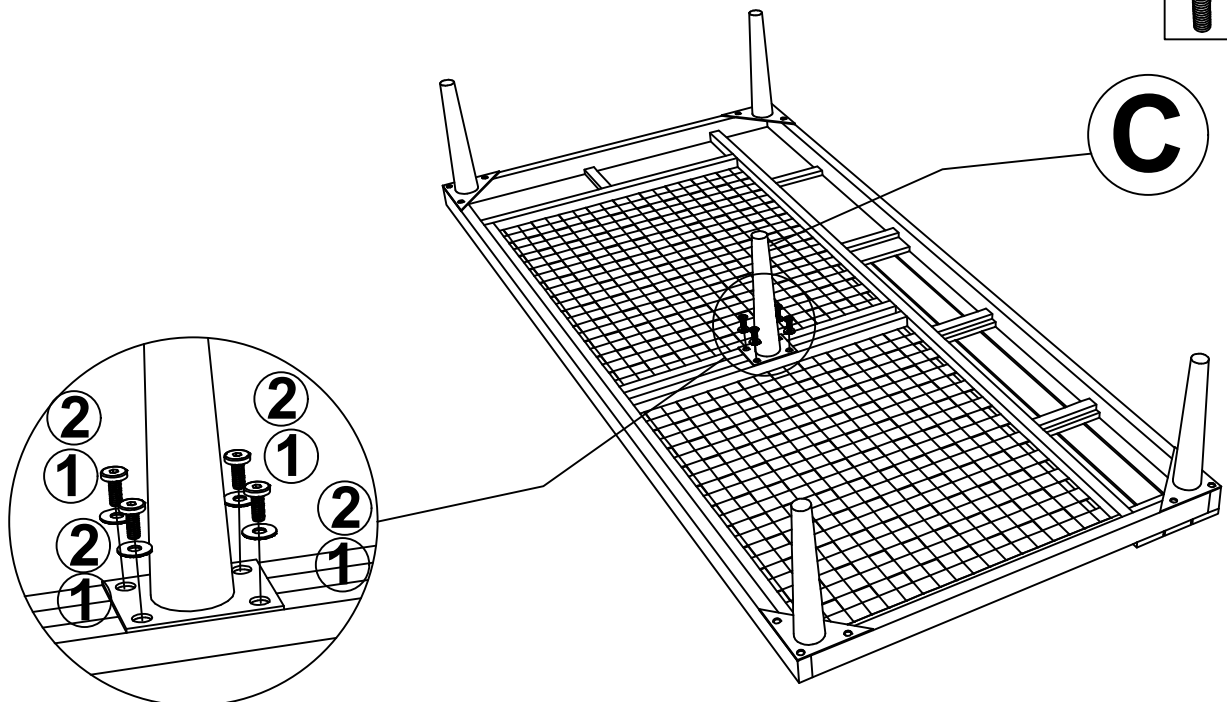
**Dx4**

# Step 1



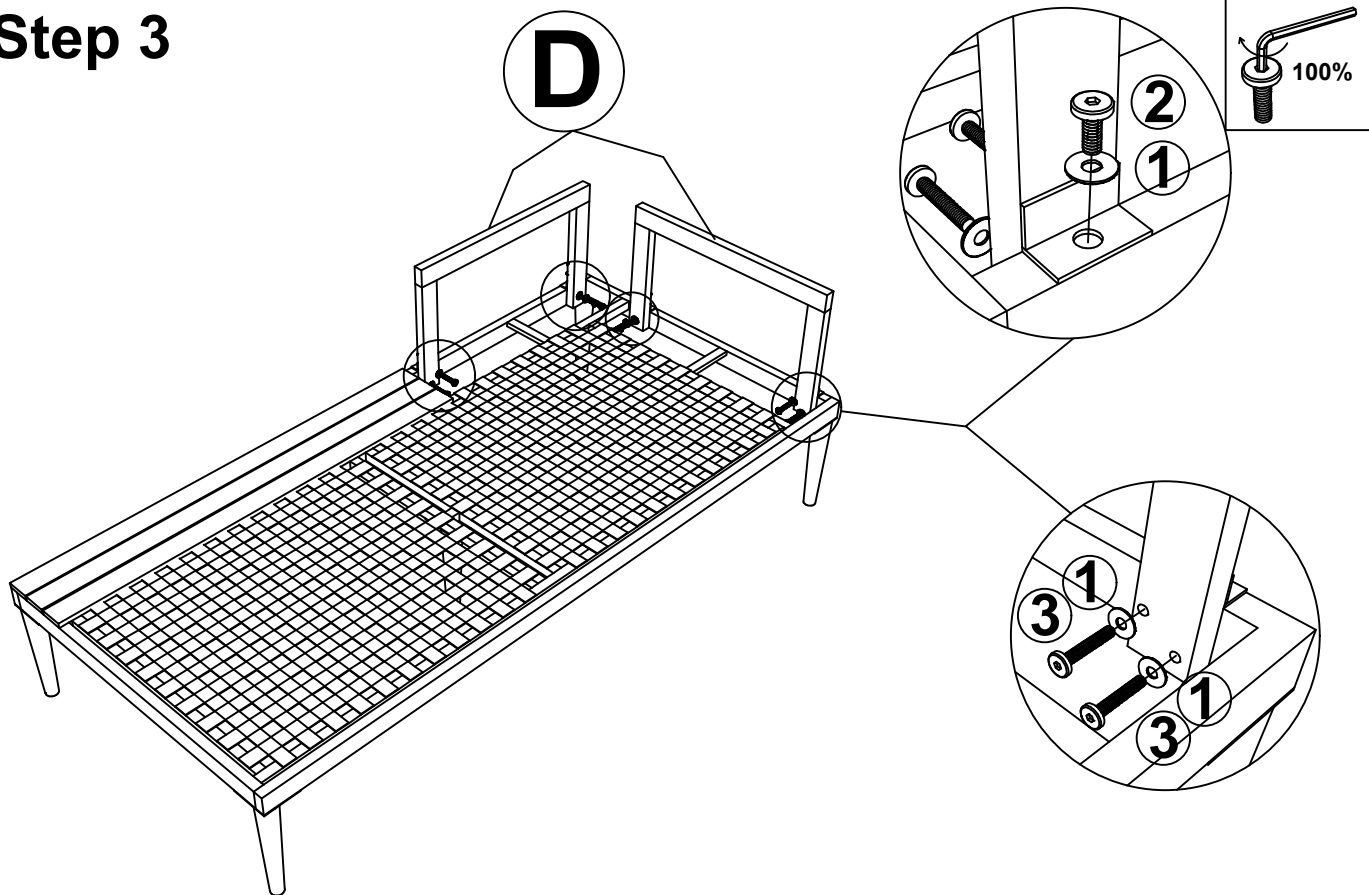
Ax1 Bx4 ①x12 ②x12

# Step 2



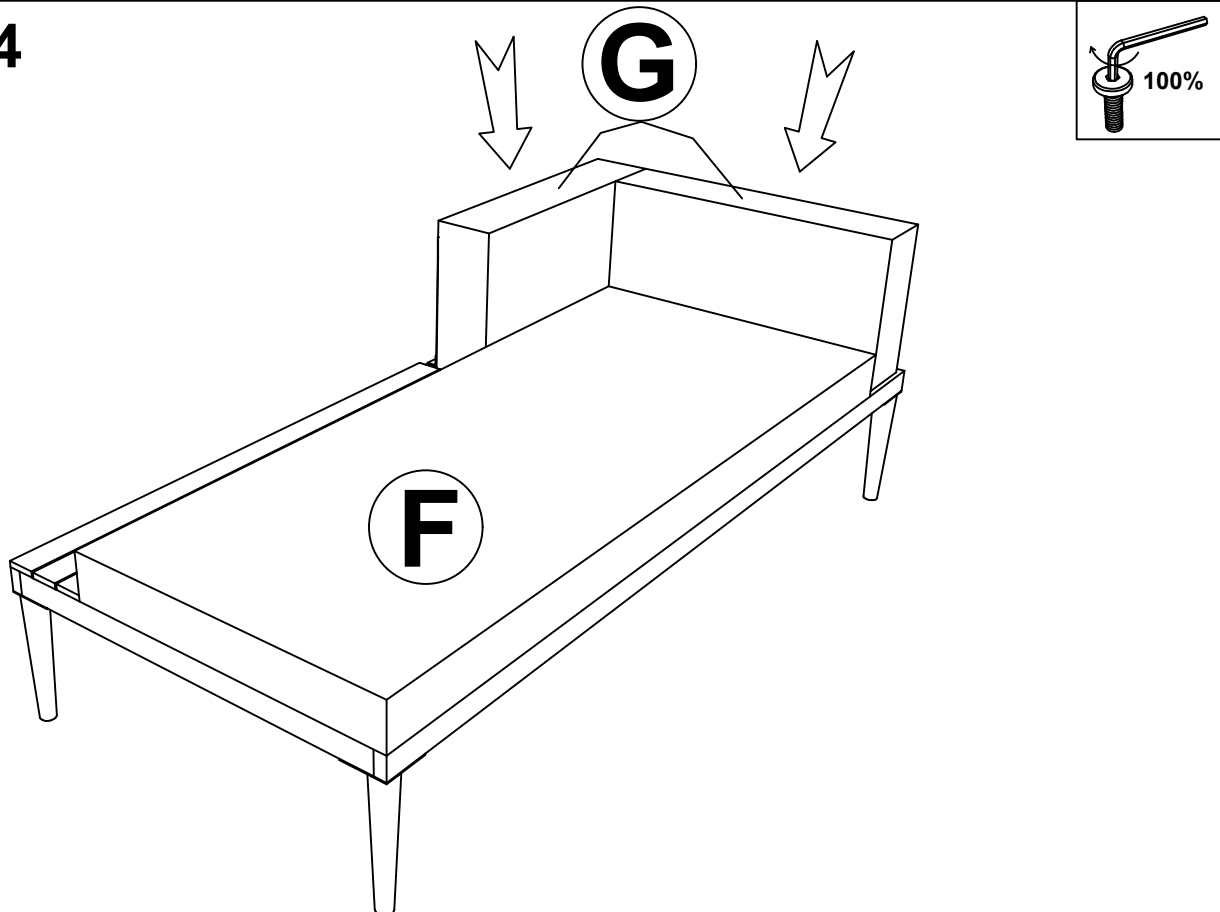
Cx1 ①x4 ②x4

# Step 3



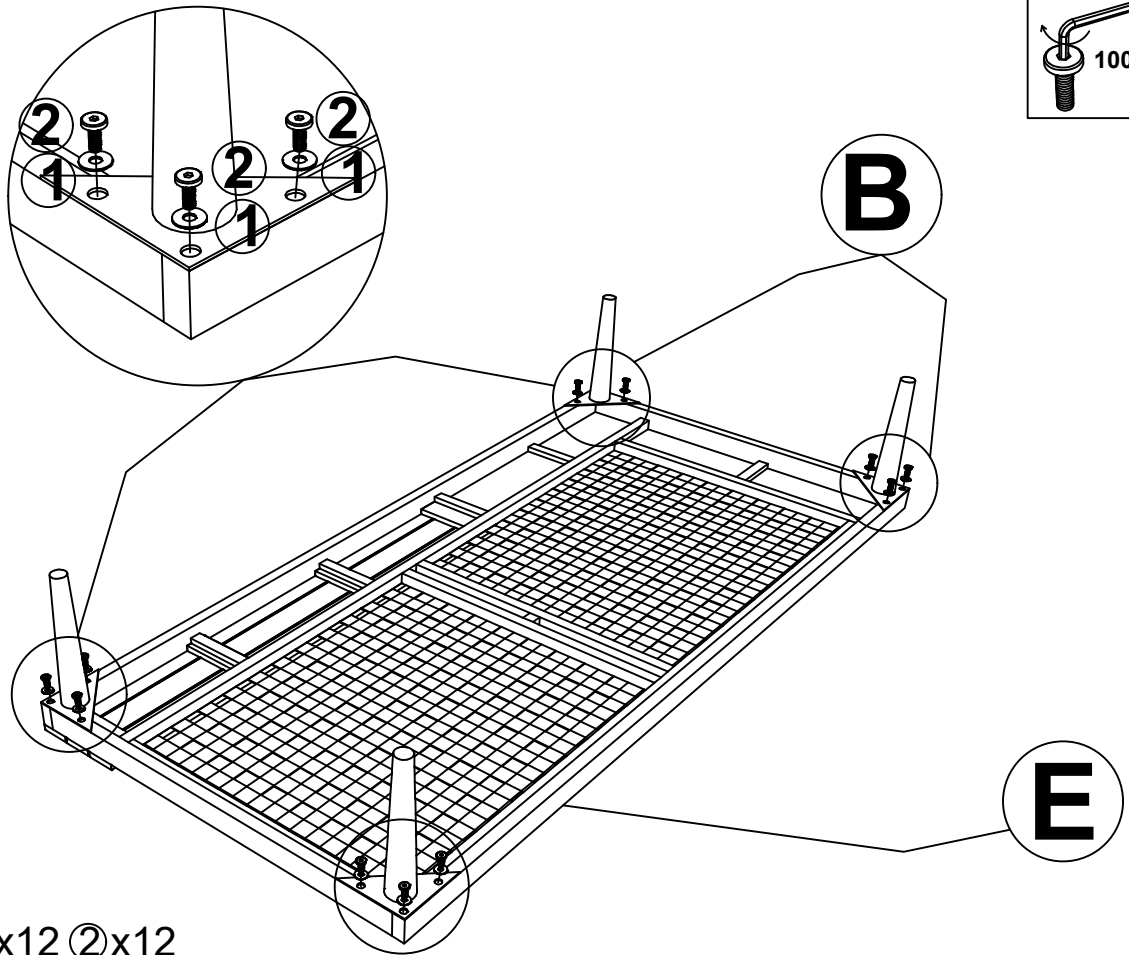
Dx2 ①x12 ②x4 ③x8

# Step 4



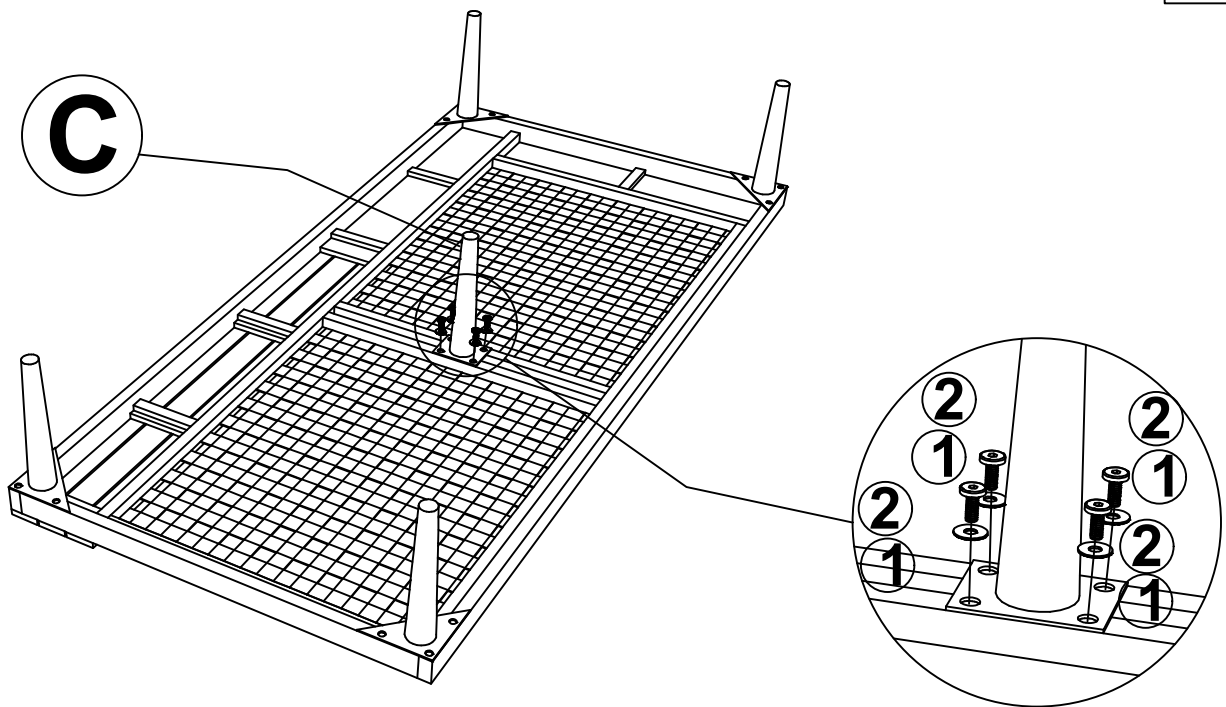
Fx1 Gx2

## Step 5



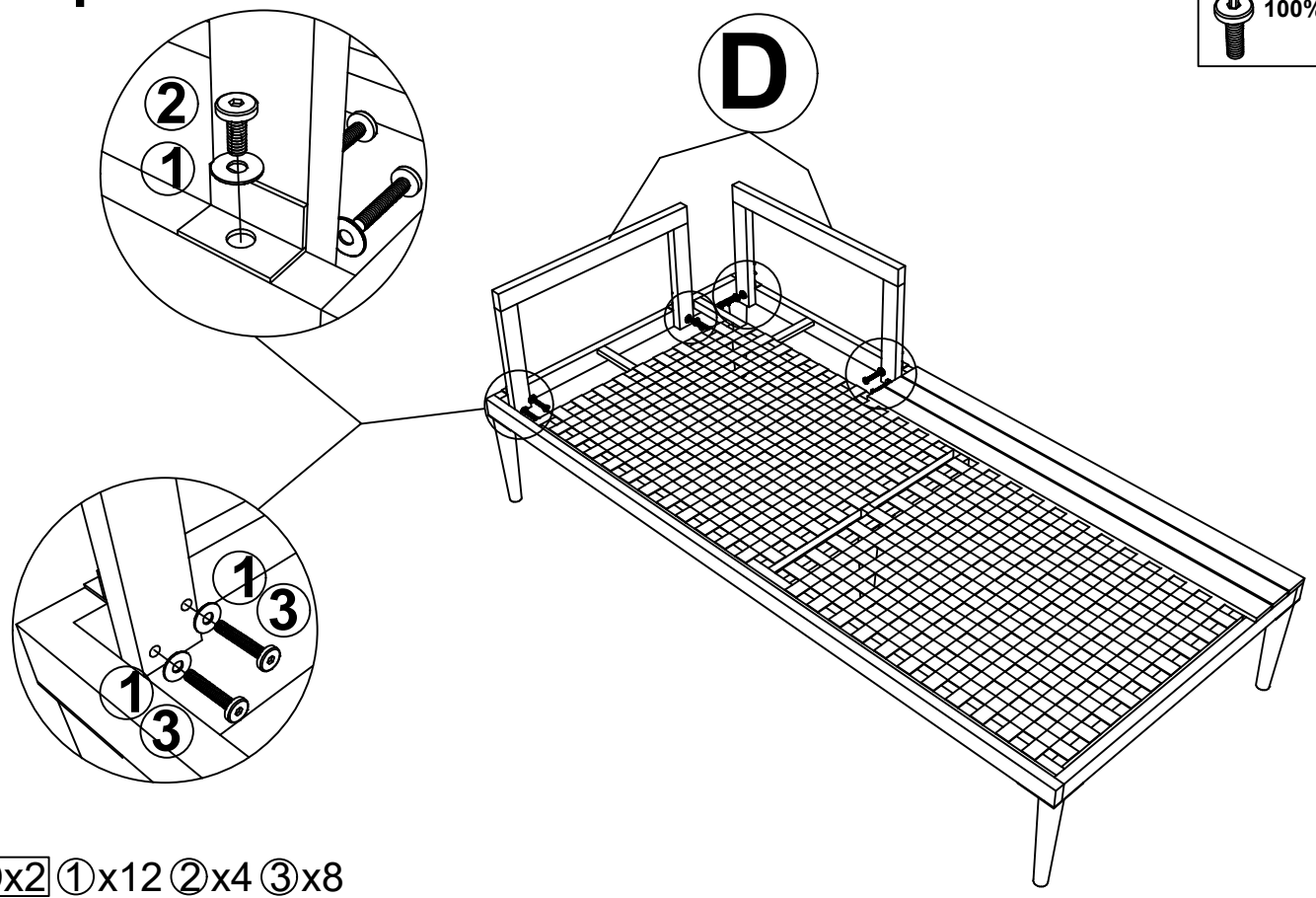
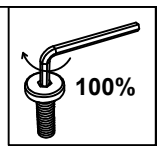
Ex1 Bx4 ①x12 ②x12

## Step 6



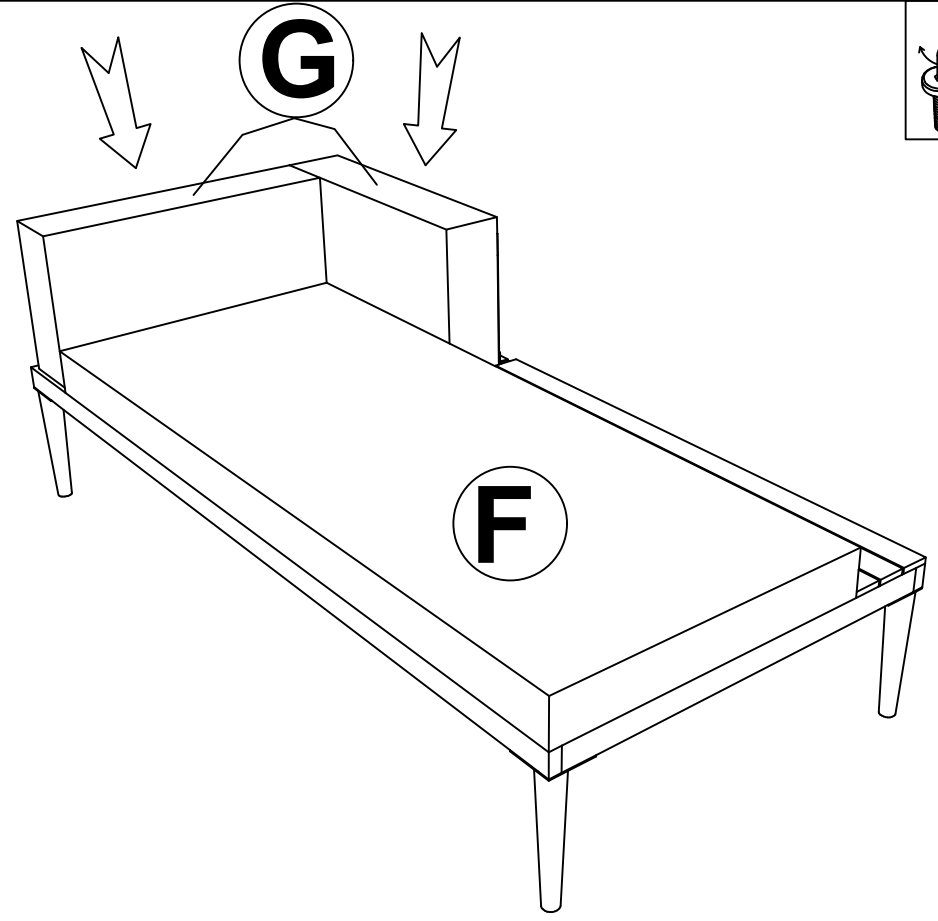
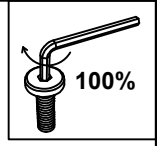
Cx1 ①x4 ②x4

# Step 7



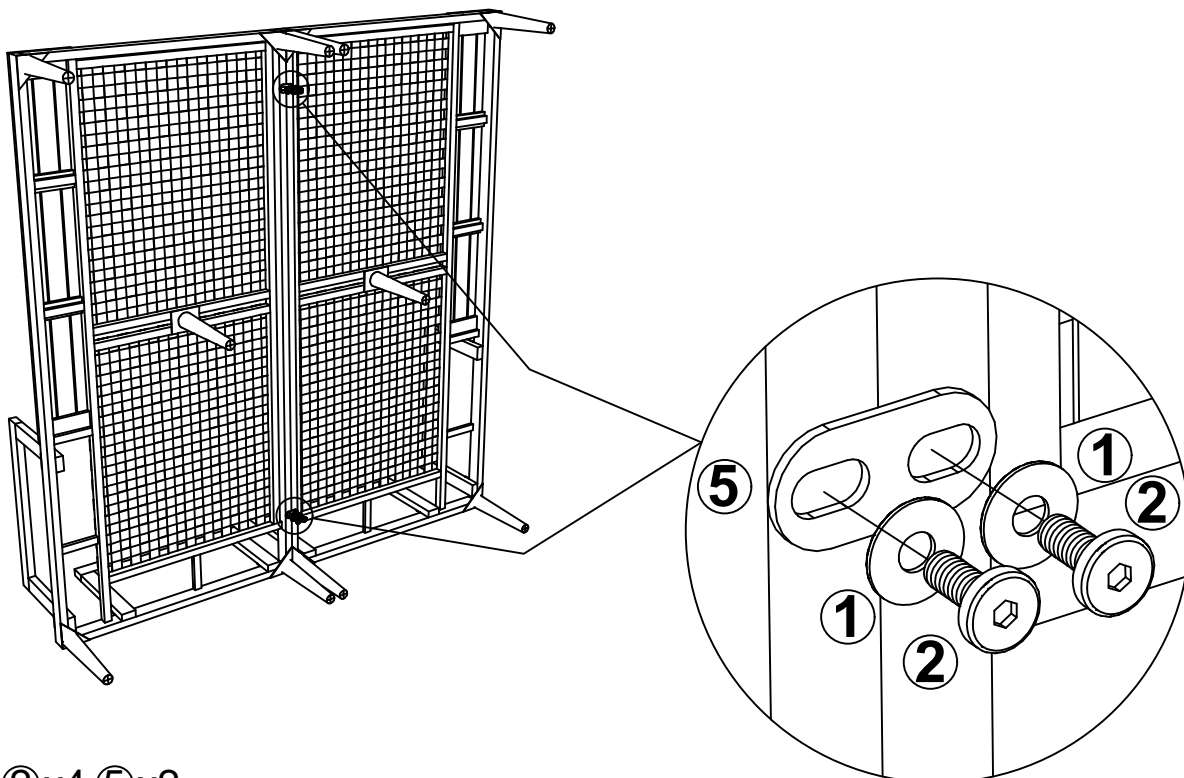
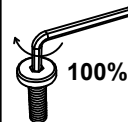
Dx2 ①x12 ②x4 ③x8

# Step 8

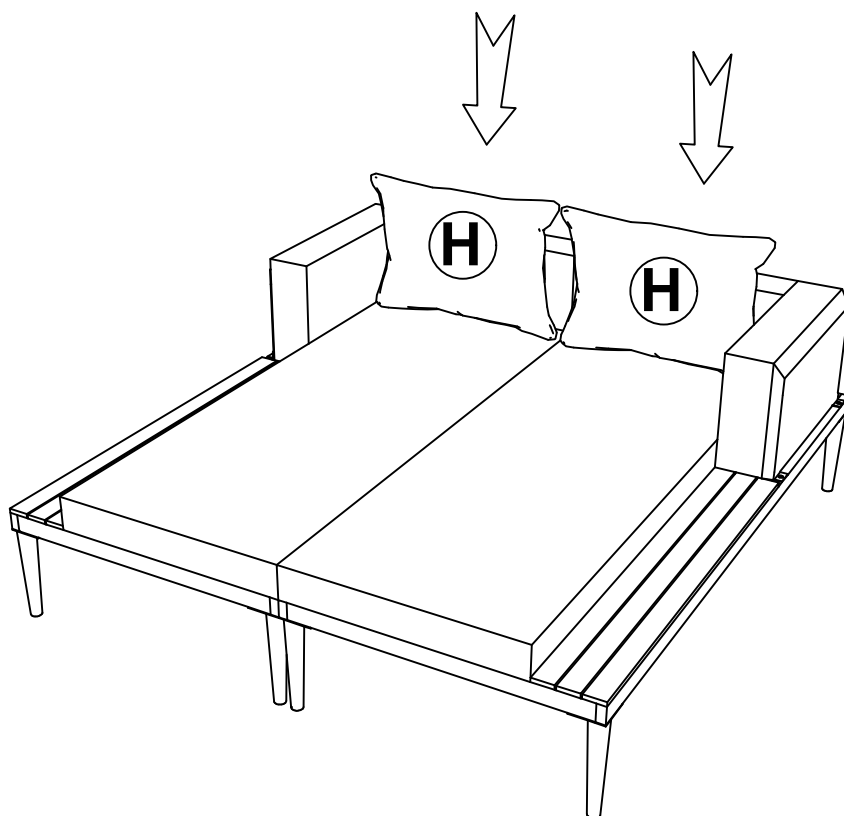


Fx1 Gx2

# Step 9



①x4 ②x4 ⑤x2



Hx2

## Finish