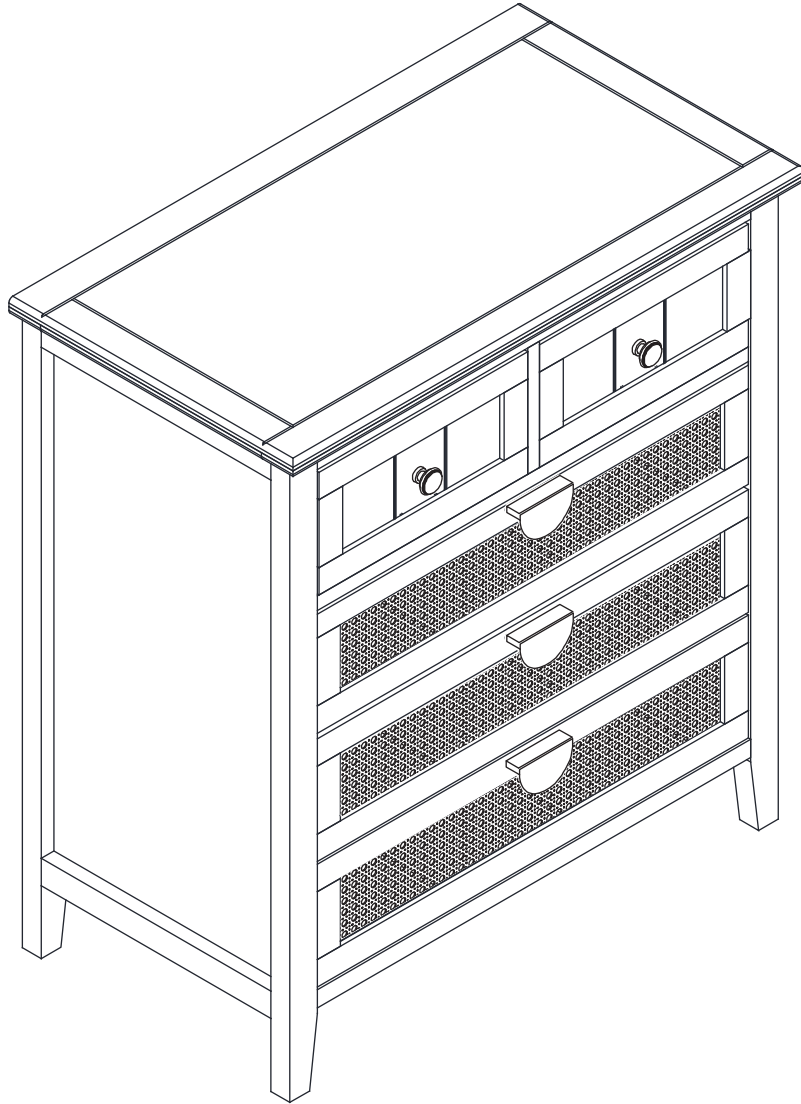


Installation Instruction



Product name

ELR691XO01

Assembling

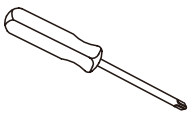
Estimated time for assembly



30 : 00

What you need

- Use the packaging carton as a working surface to prevent product damage during assembly
- Phillips head screwdriver



Weight Limitation



50 | **20**
lbs table top | lbs per drawer



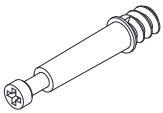
2 PERSONS

What's included

Code	Description	Qty
A	Cam Bolt M6X35MM	25
B	Cam Lock 15X10MM	25
C	Screw M4X40MM	27
D	Wooden Dowel M6X30MM	12
E	Screw M4X14MM	2
F	Bolt M4X16MM	6
G	Gold Handle	3
H	Anchor M6X30MM	2
I	Metal Washer	12
J	Allen Key	1
K	Screw M3X16MM	8
L	Plastic Corner Support	8
M	Bolt M6X35MM	12
N	Nylon Strap	2
O	Bolt M4X12MM	2
P	Handle	2
Q	Screw M4X16MM	2

The Hardwares

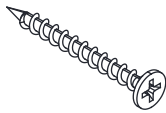
A



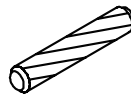
B



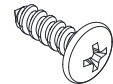
C



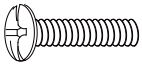
D



E



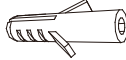
F



G



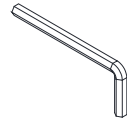
H



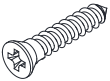
I



J



K



L



M



N



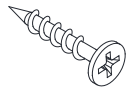
O



P



Q



IMPORTANT:

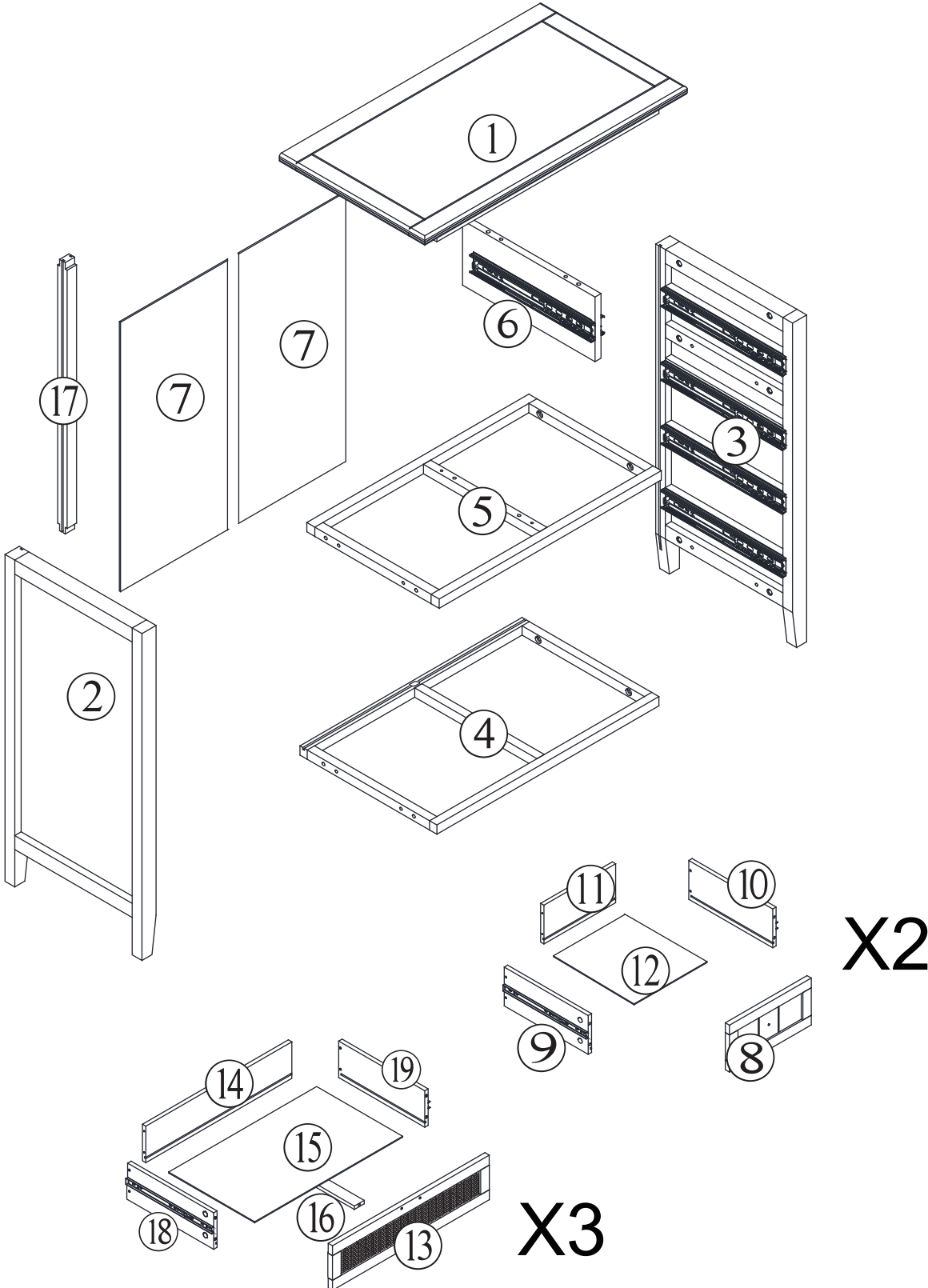
1. Do not tighten bolts / screws completely until all bolts / screws are lined up and inserted into holes.
2. Do not over tighten screws and bolts to avoid stripping.
3. Please use hand tools to assemble this product. Do not use power tools.
4. Must need 2 people to assemble this product.



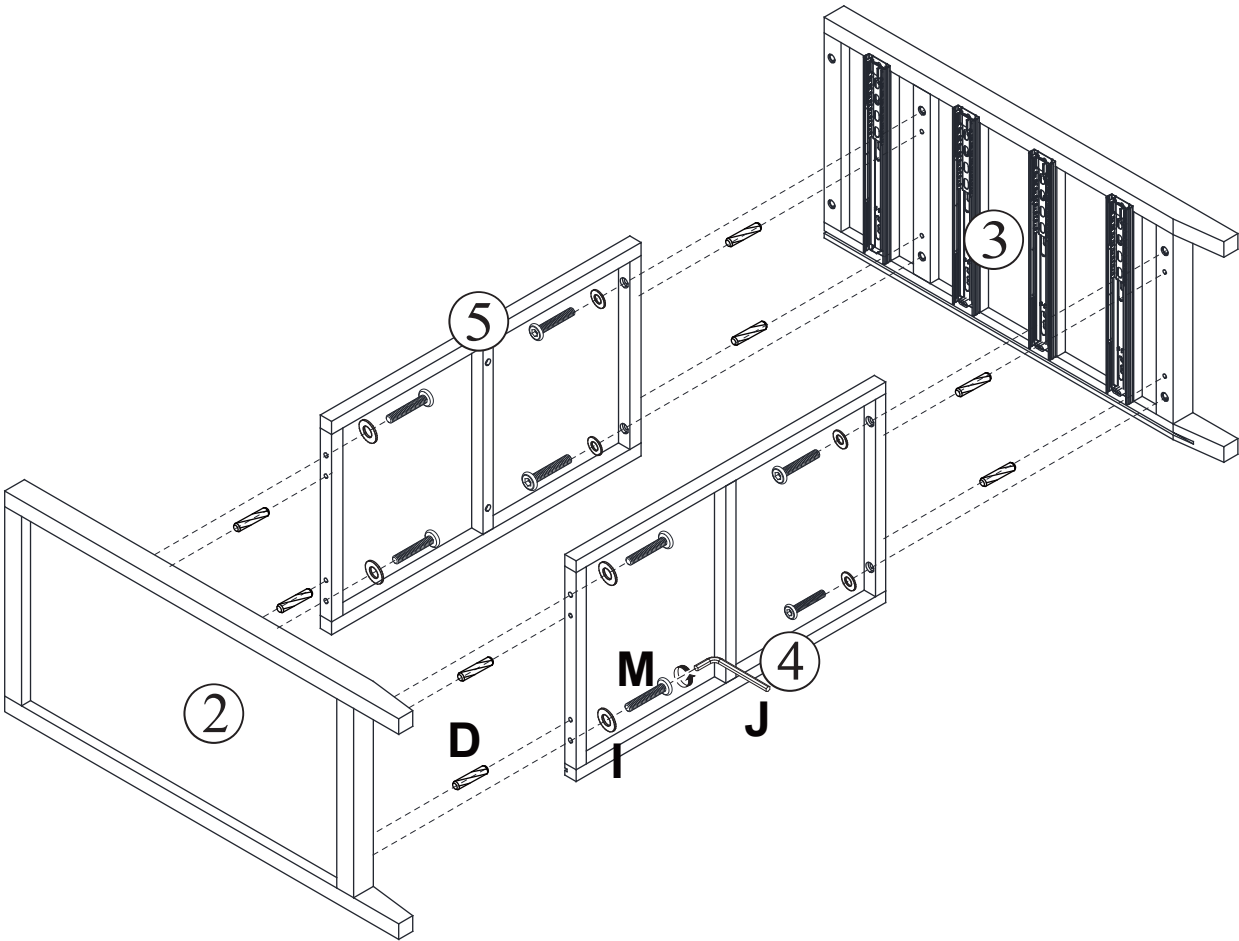
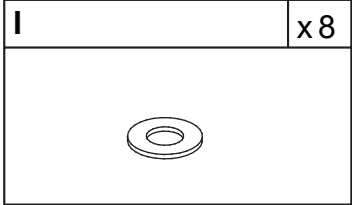
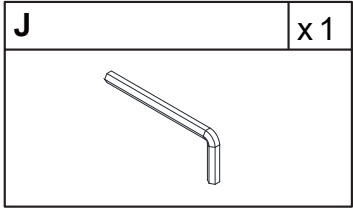
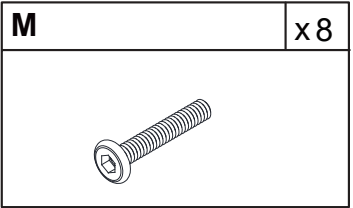
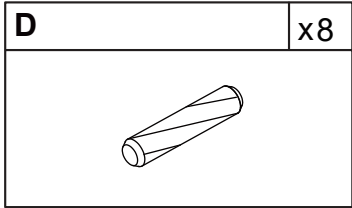
Included Accessories

Code	Description	Qty
1	Cabinet Top	1
2	Left Side Panel	1
3	Right Side Panel	1
4	Lower Support Frame	1
5	Upper Support Frame	1
6	Middle Partition Panel	1
7	Back Panel	1
8	Small Drawer Front Panel	2
9	Small Drawer Left Side Panel	2
10	Small Drawer Right Side Panel	5
11	Small Drawer Back Panel	2
12	Small Drawer Bottom Panel	2
13	Big Drawer Front Panel	3
14	Big Drawer Back Panel	3
15	Big Drawer Bottom Panel	3
16	Big Drawer Bottom Support panel	3
17	Back Support Panel	1
18	Big Drawer Left Side Panel	3
19	Big Drawer Right Side Panel	3

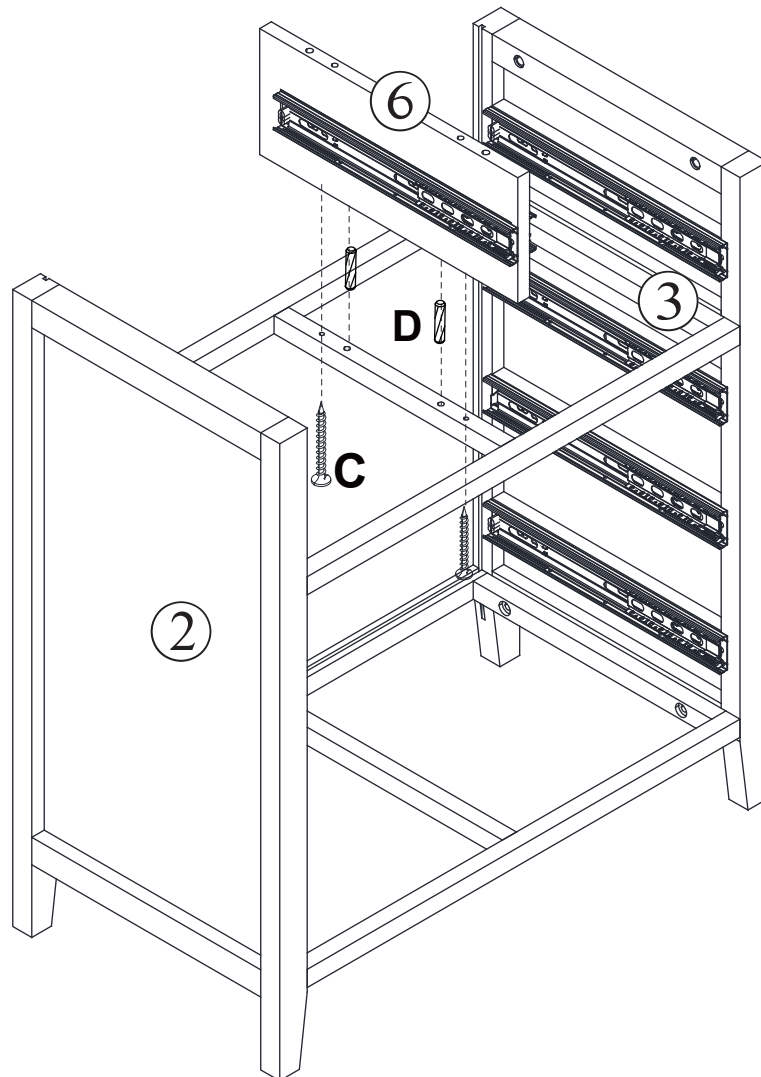
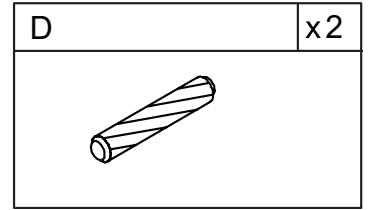
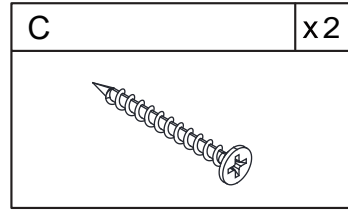
The Accessoriess



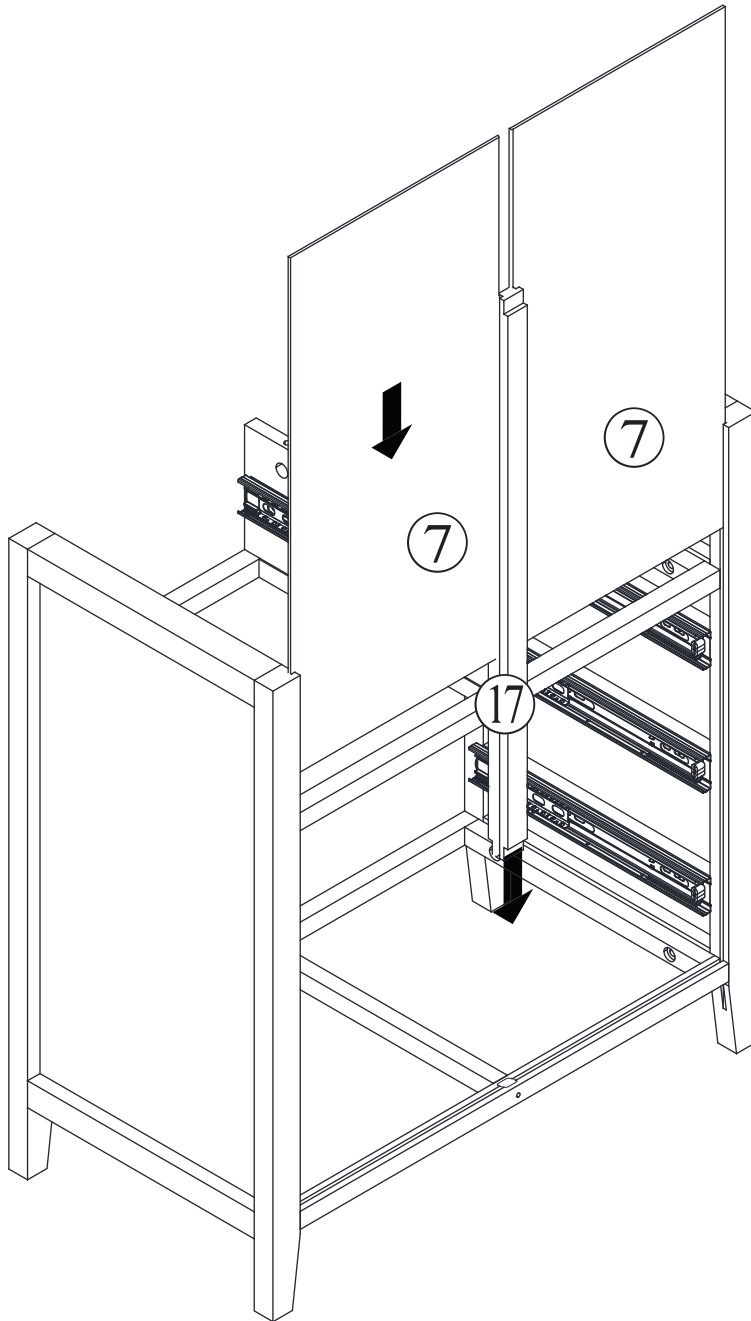
Step 1



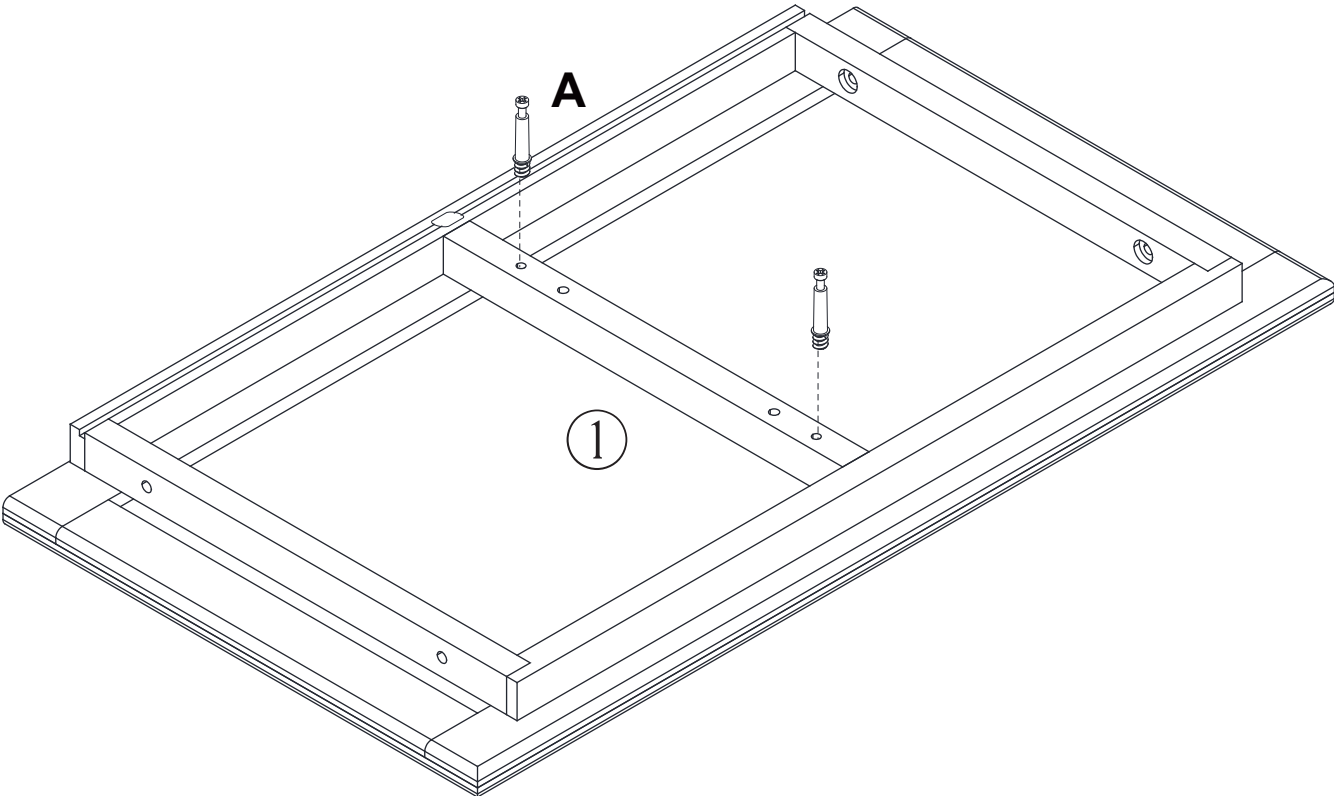
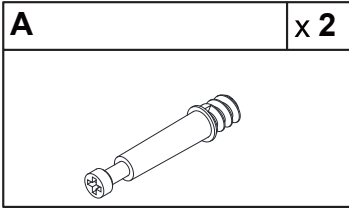
Step 2



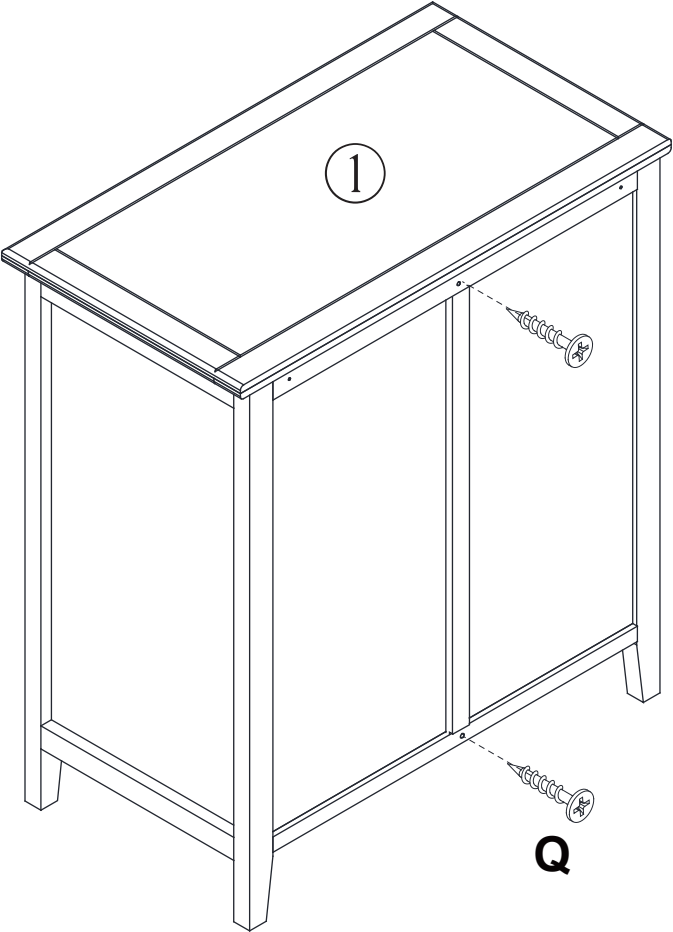
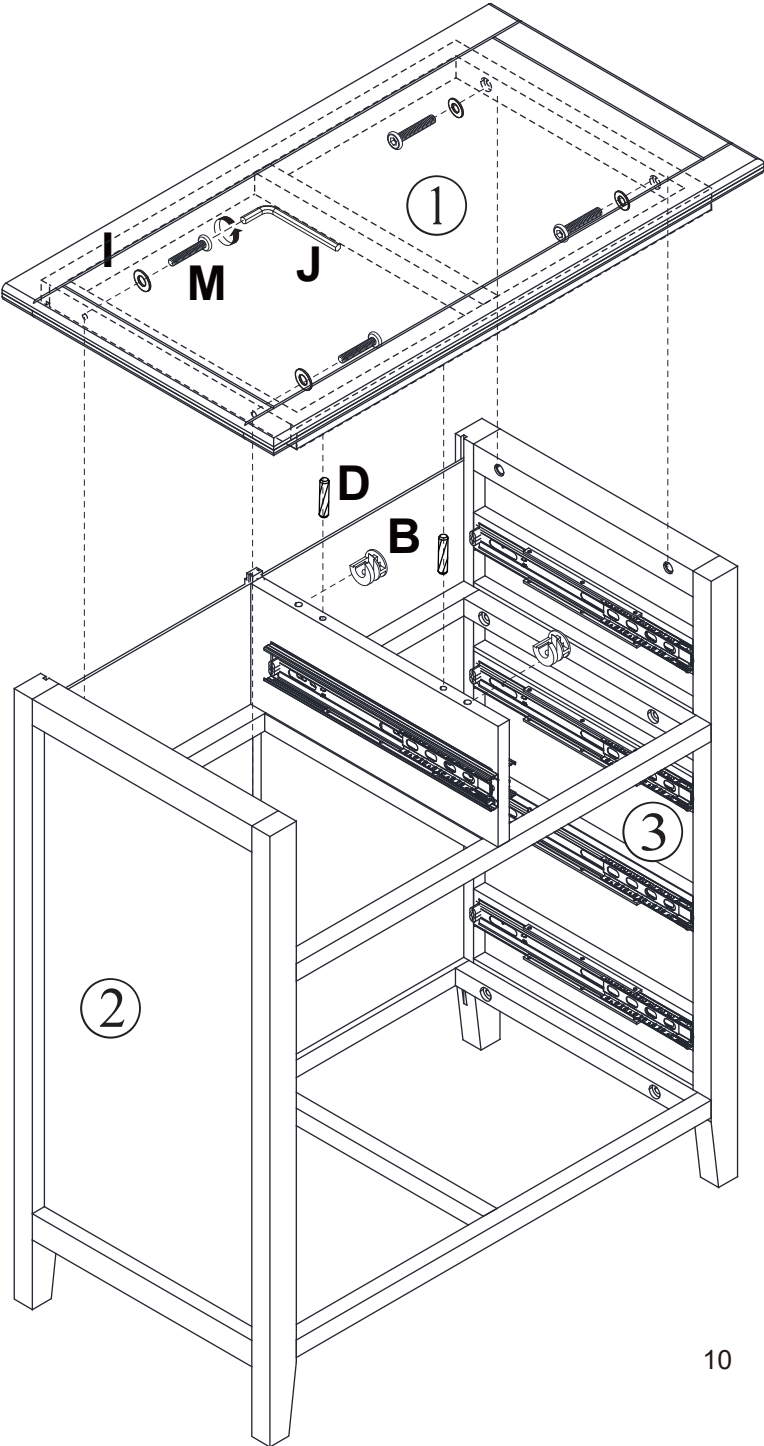
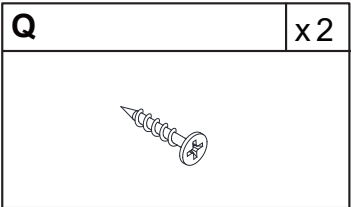
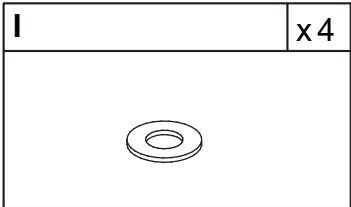
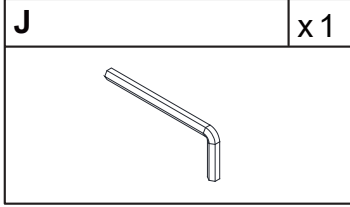
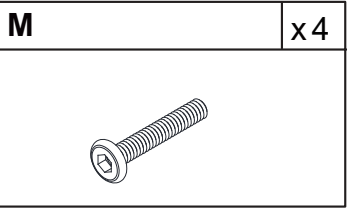
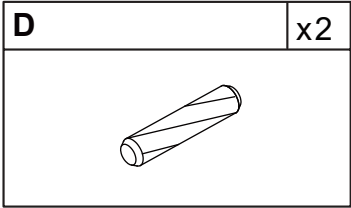
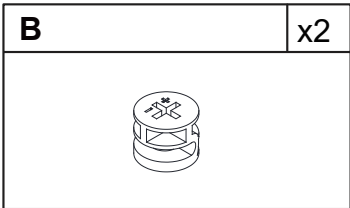
Step 3



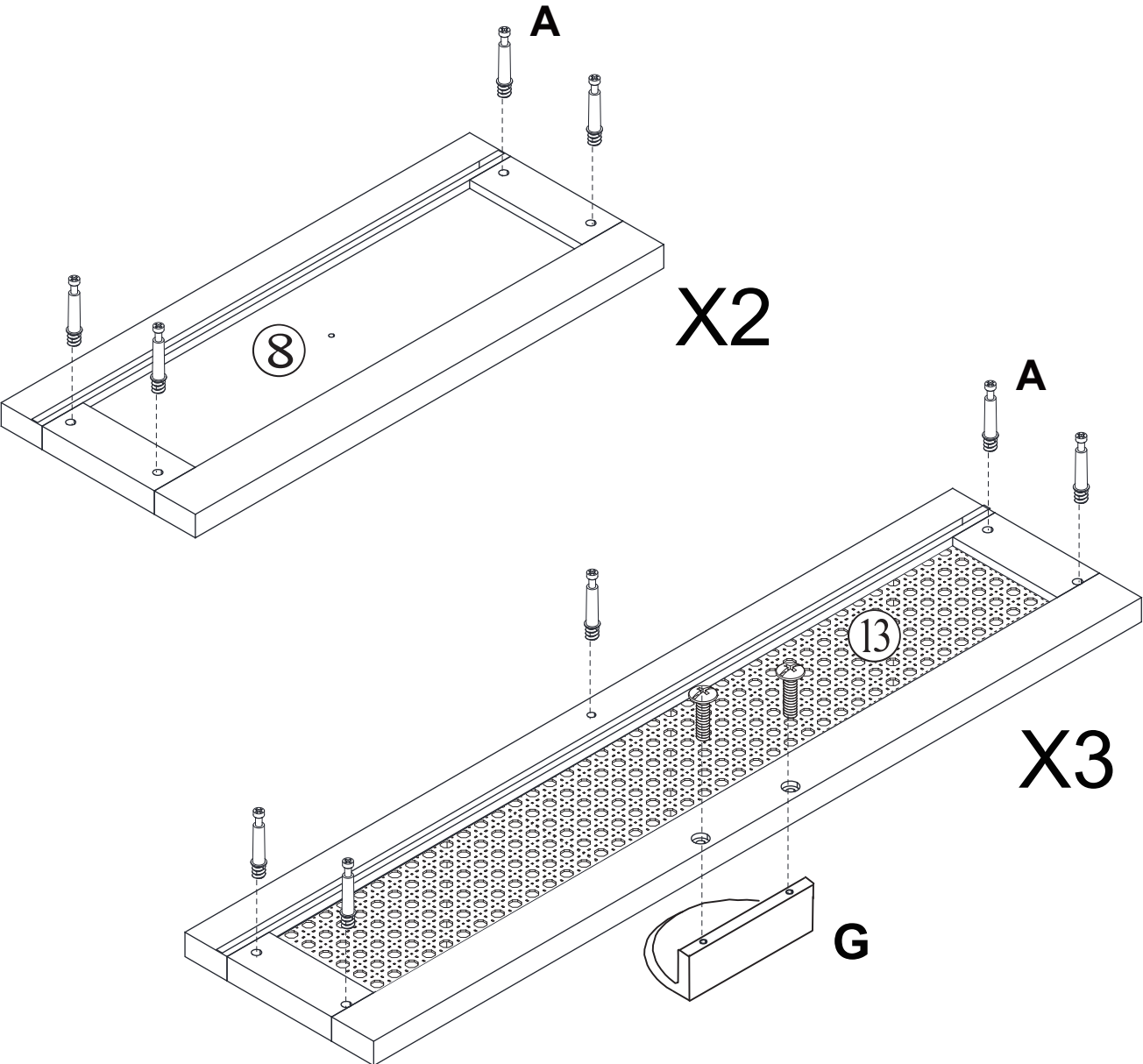
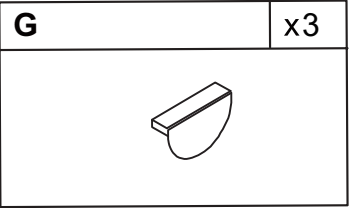
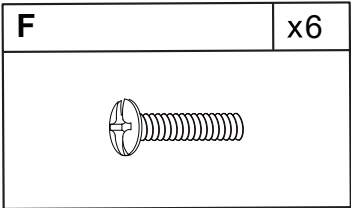
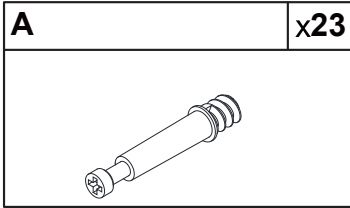
Step 4



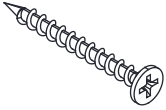
Step 5

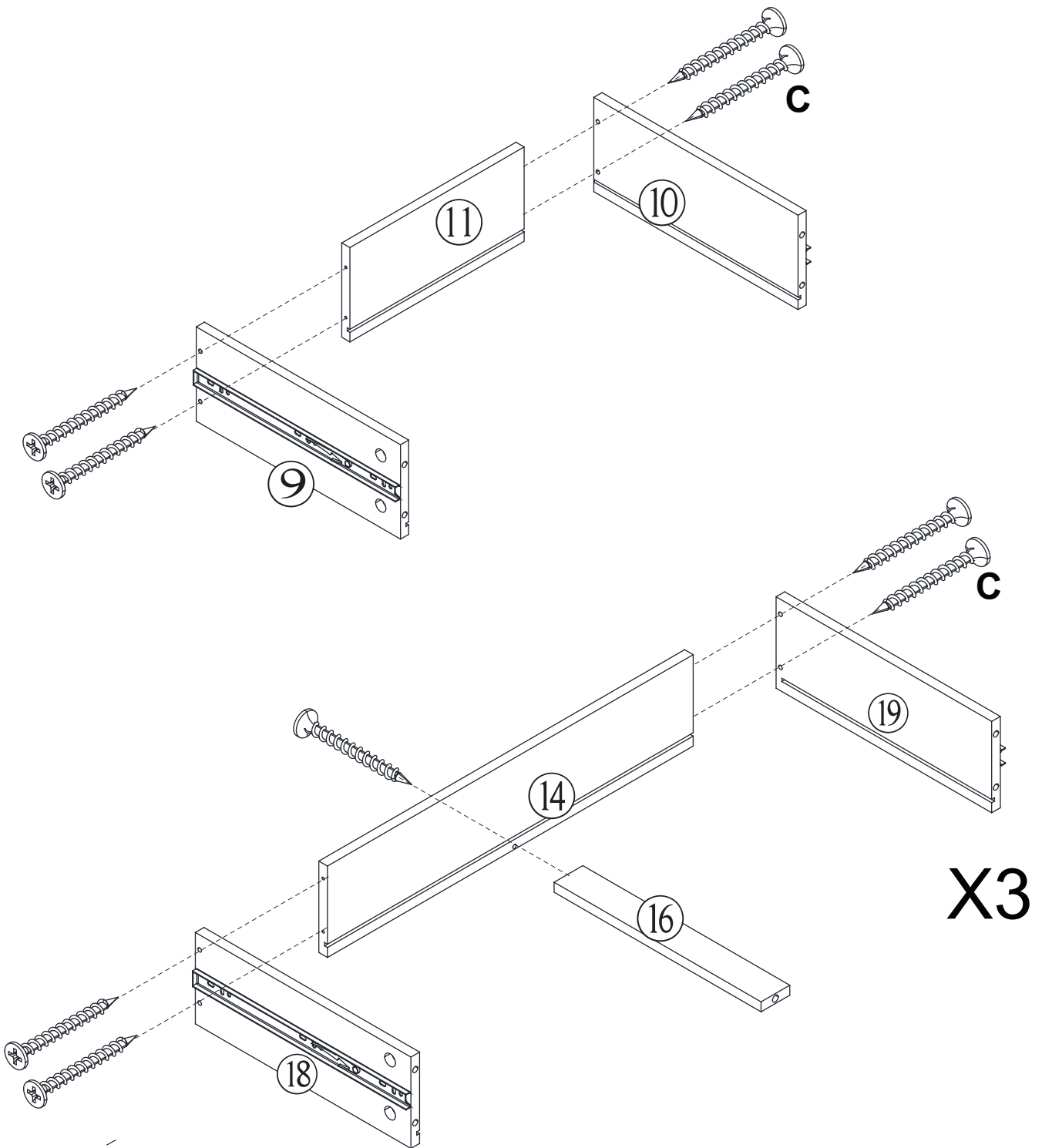


Step 6

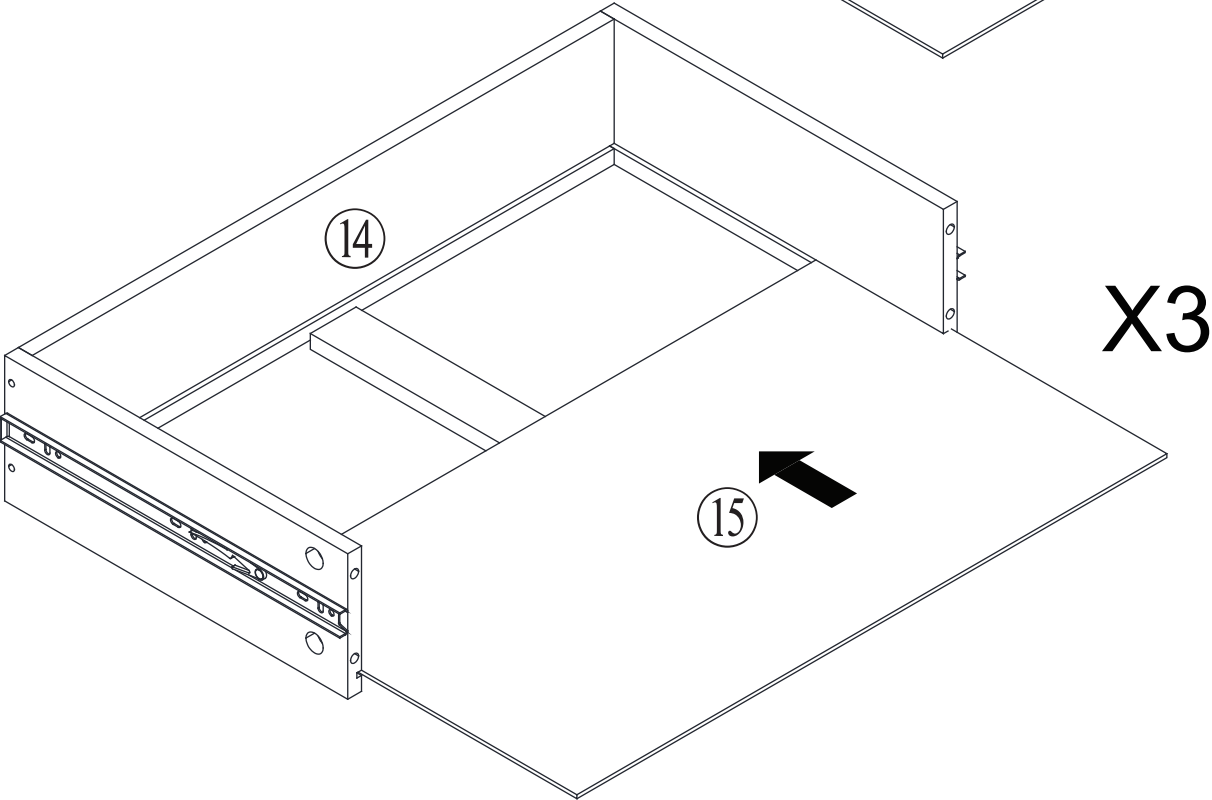
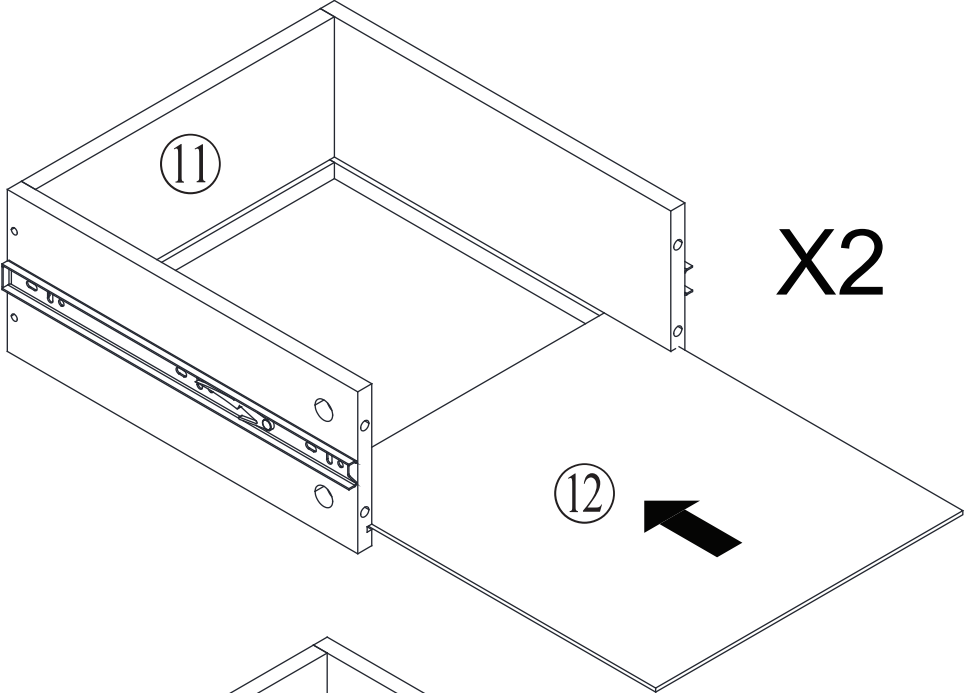


Step 7


C	x23
	





Step 8

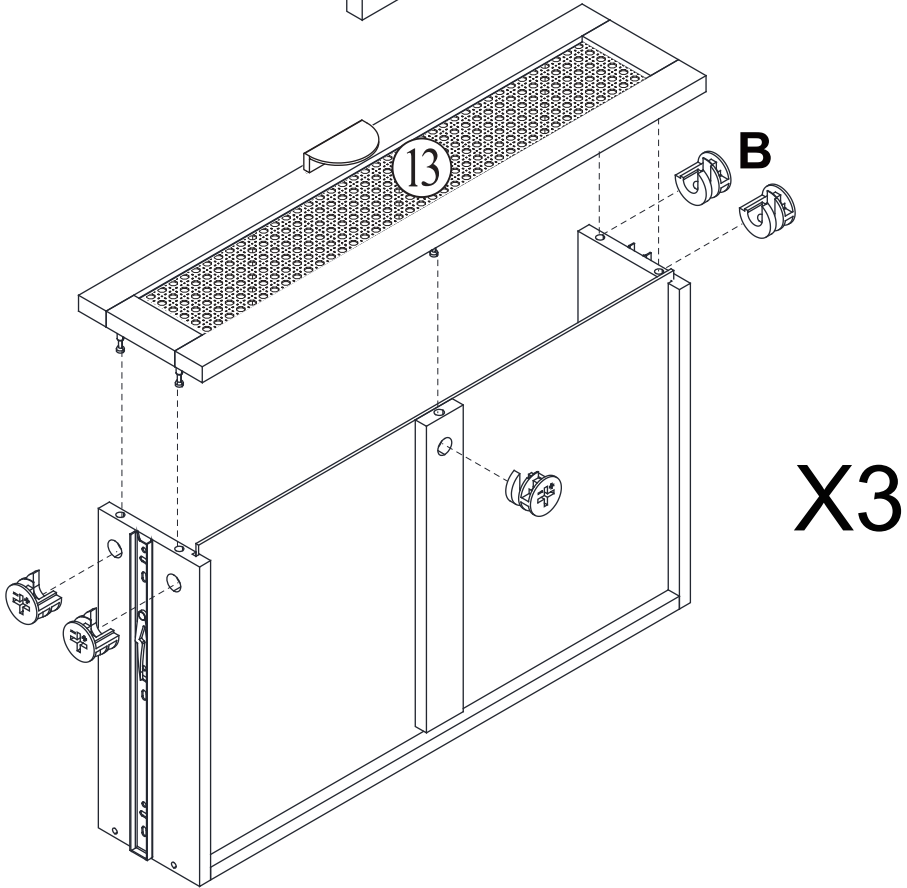
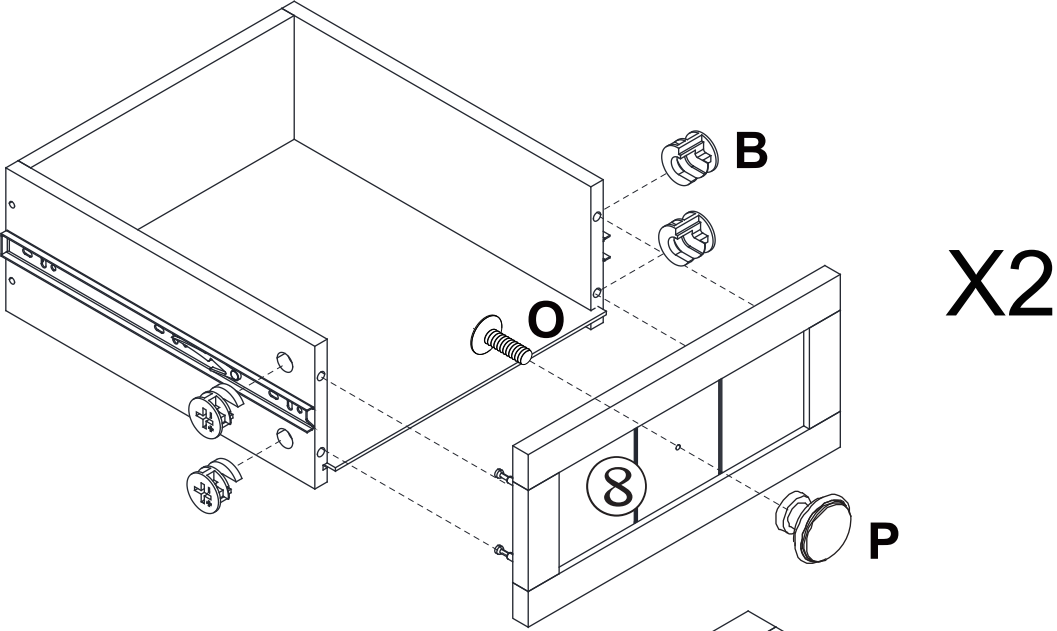


Step 9

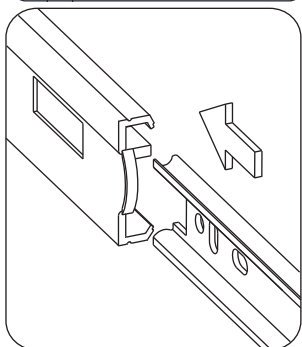
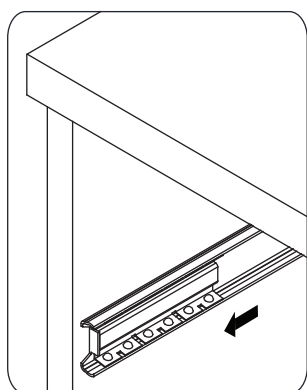
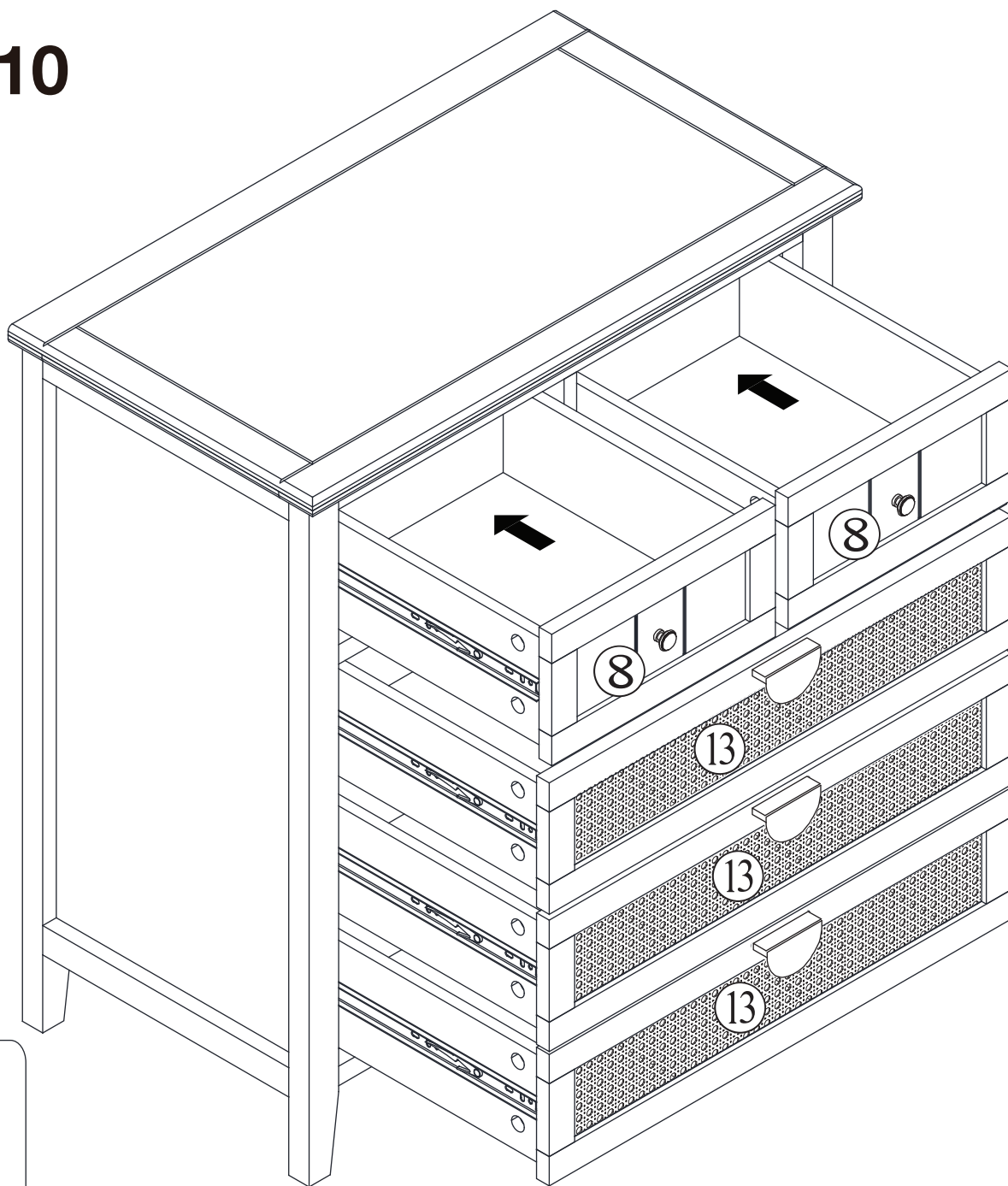
B	x23
	

O	x2
	

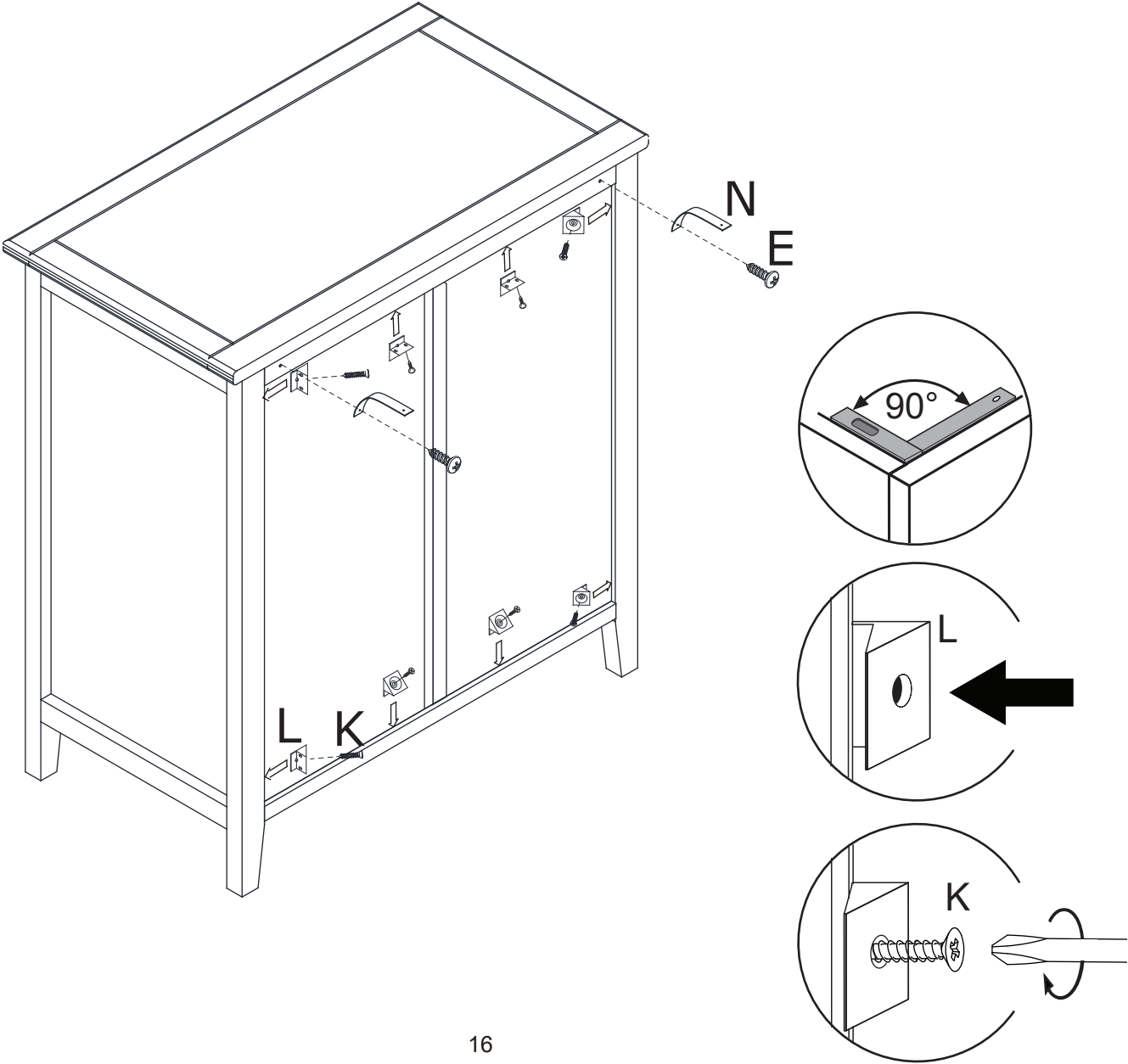
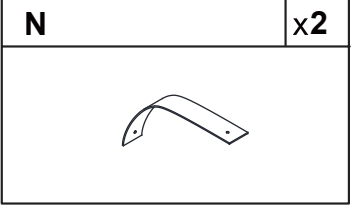
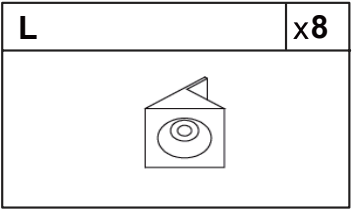
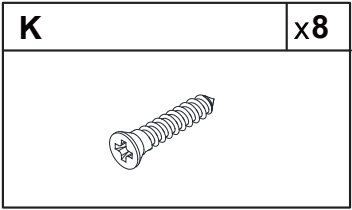
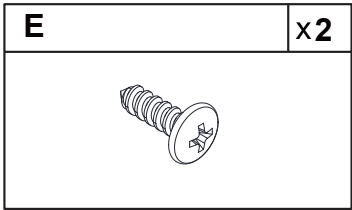
P	x2
	



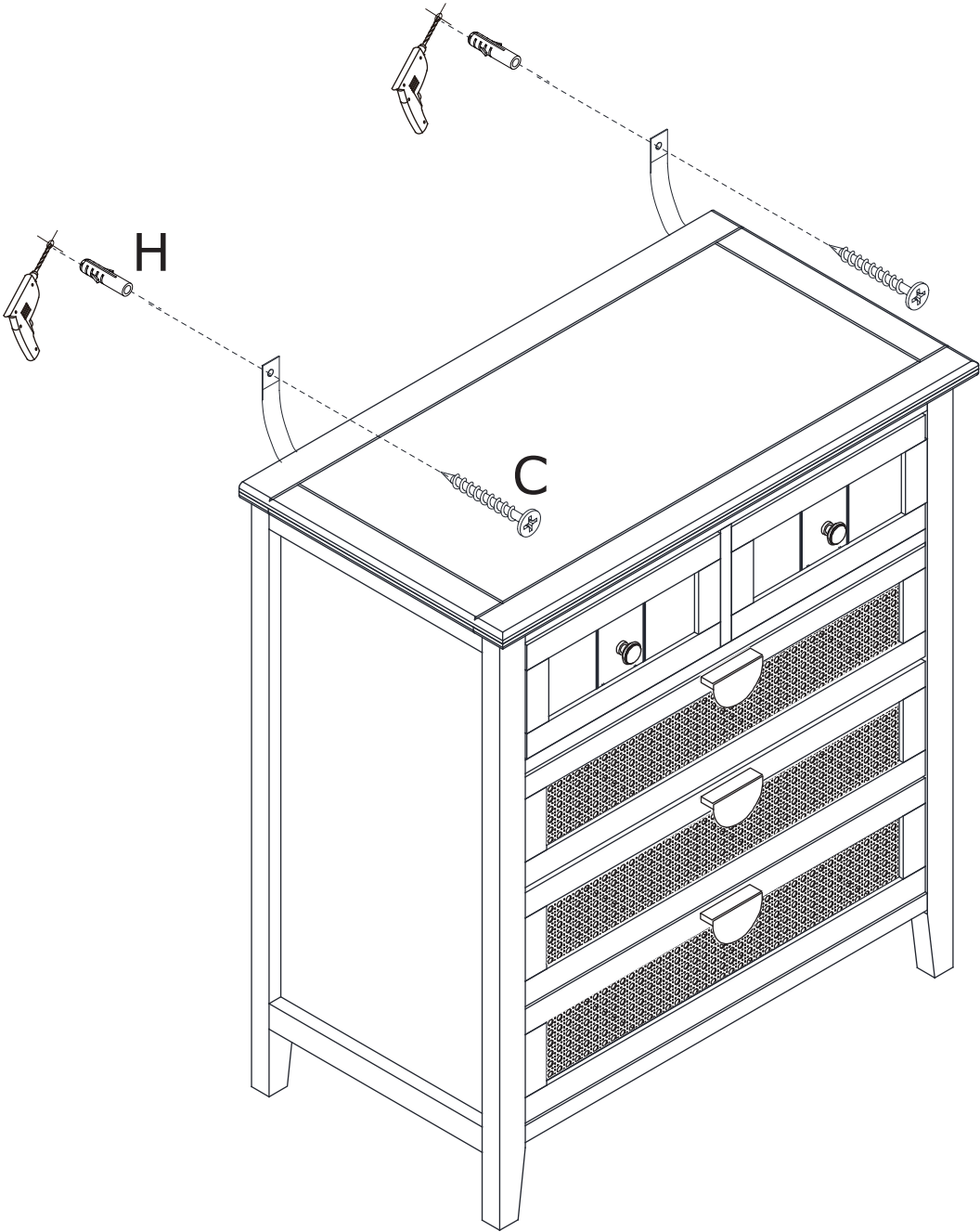
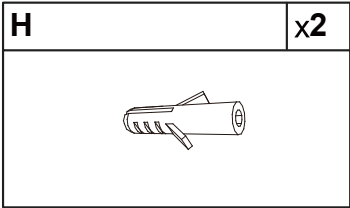
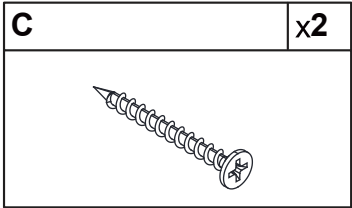
Step 10



Step 11



Step 12



Proper Use

- DO NOT** use for commercial purposes
- DO NOT** use as a step stool or stand on table
- DO NOT** put hot serving liquid directly on the table top
- DO NOT** leave spilled liquid on the table top
- DO NOT** use table if damaged
- DO NOT** exceed weight limit
- DO NOT** make temporary repairs
- DO NOT** use outdoor

Dear Customer:

Thank you for purchasing our product, we wish you satisfy our service, if you have any further questions or any quality issues, please show the belows number and don't hesitate to contact our Customer Service People. :

ELR691XO01