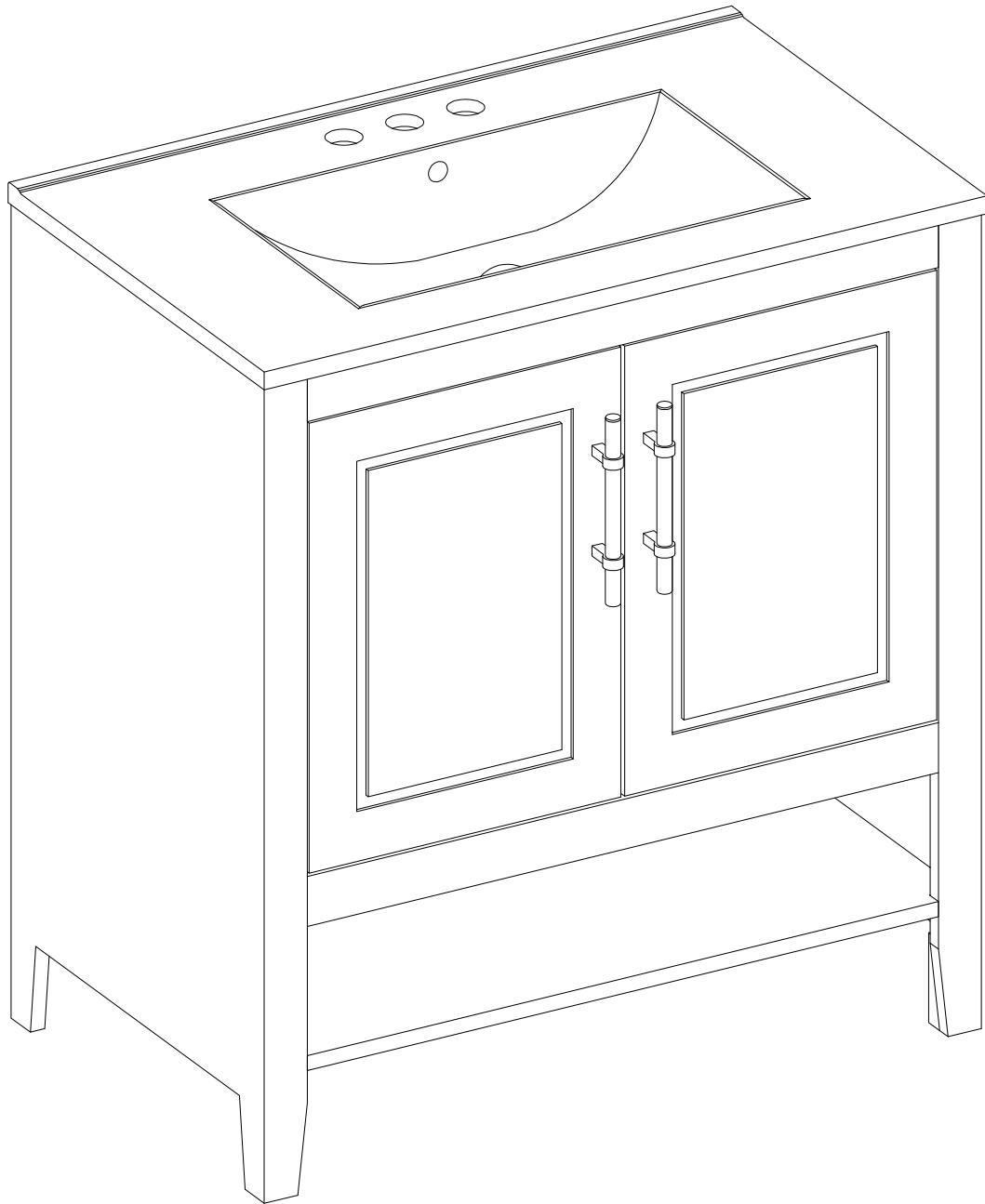
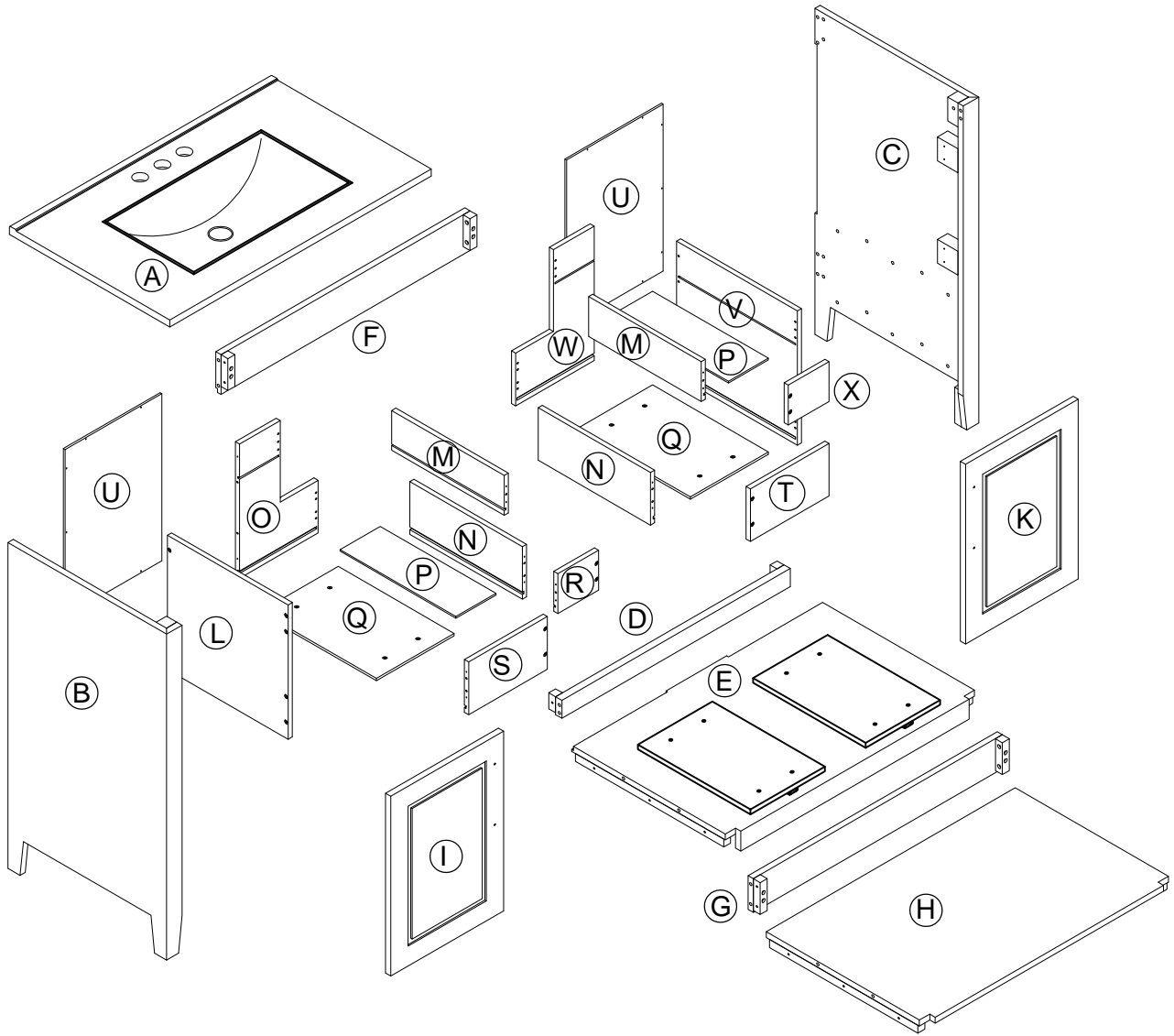


ELR84RP901

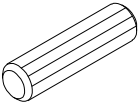
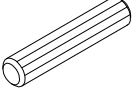
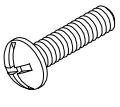
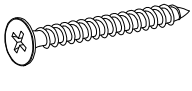
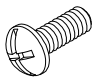
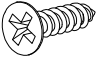
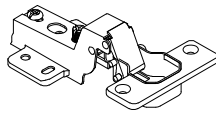
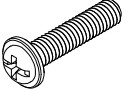
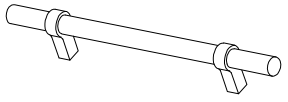
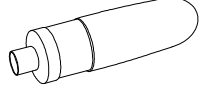



PACKAGE CONTENTS

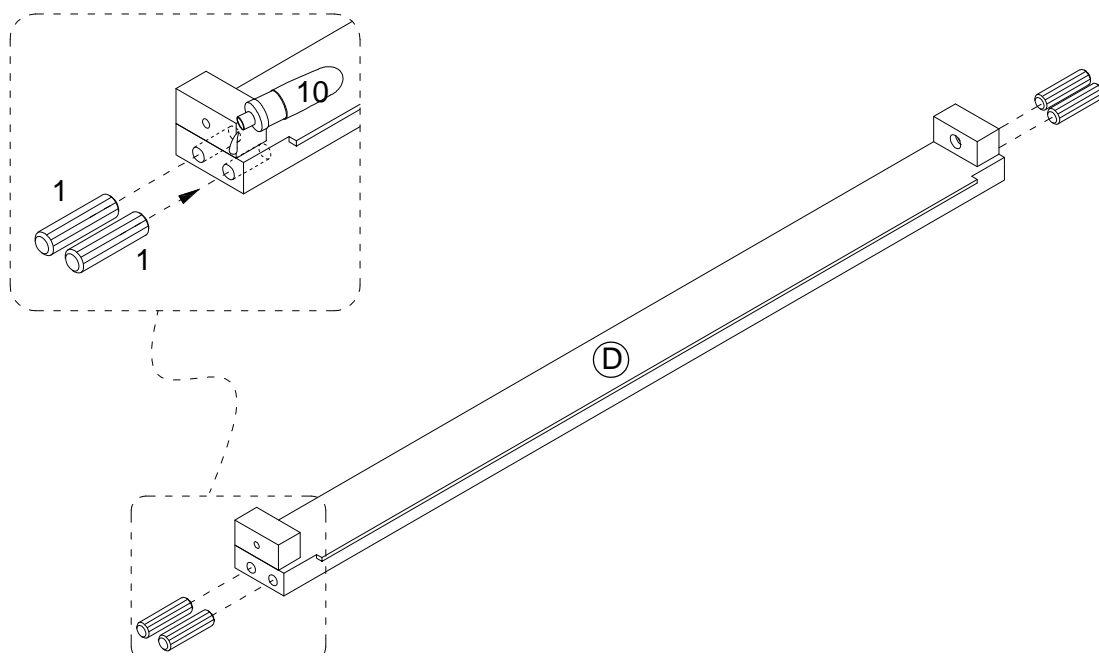


PART	DESCRIPTION	QTY	PART	DESCRIPTION	QTY
A	Top	X1	O	Left Drawer Back Panel	X1
B	Left Side Board	X1	P	Drawer Bottom Panel	X2
C	Right Side Board	X1	Q	Drawer Bottom Panel	X2
D	Front Upper Rail	X1	R	Left Upper Drawer Front Panel	X1
E	Shelf Panel	X1			
F	Back Upper Rail	X1	S	Left Lower Drawer Front Panel	X1
G	Back Lower Rail	X1	T	Right Lower Drawer Front Panel	X1
H	Bottom Panel	X1	U	Back Panel	X2
I	Left Door	X1	V	Drawer Side Panel	X1
K	Right Door	X1	W	Right Drawer Back Panel	X1
L	Drawer Side Panel	X1	X	Right Upper Drawer Front Panel	X1
M	Drawer Side Panel	X2			
N	Drawer Side Panel	X2			

HARDWARE CONTENTS

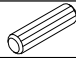

1	2	3	4
			
Ø8*30mm 20PCS	Ø6*30mm 22PCS	M6*25mm 22PCS	Ø4*25mm 28PCS
5	6	7	8
			
M4*12mm 8PCS	Ø3.5*12mm 24PCS	4PCS	5/32\"*20mm 4PCS
9	10	11	
			
2PCS	1PC	14PCS	

STEP1

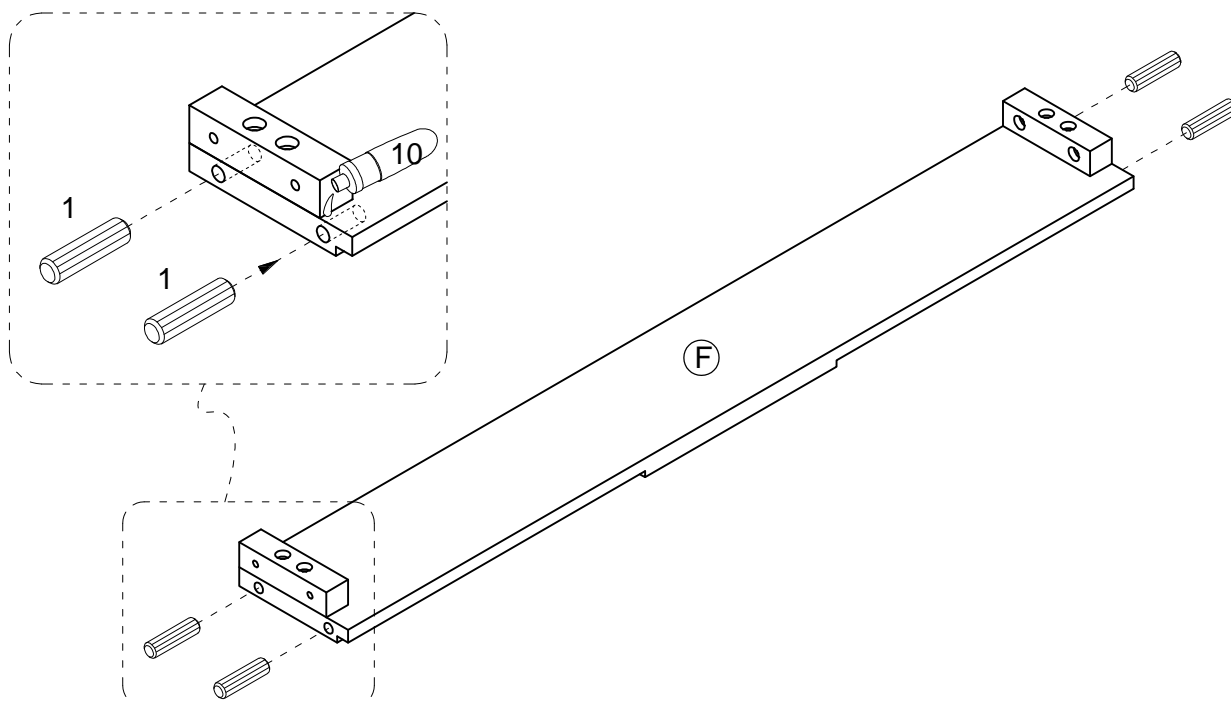


Glue the wood dowels 1 into the inner holes on the front upper rail D.

NOTE: It is very important to use a small amount of glue 10 on ends of dowels and wipe away excess glue immediately.

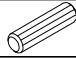

	1 x 4pcs
	10 x 1pc

STEP2

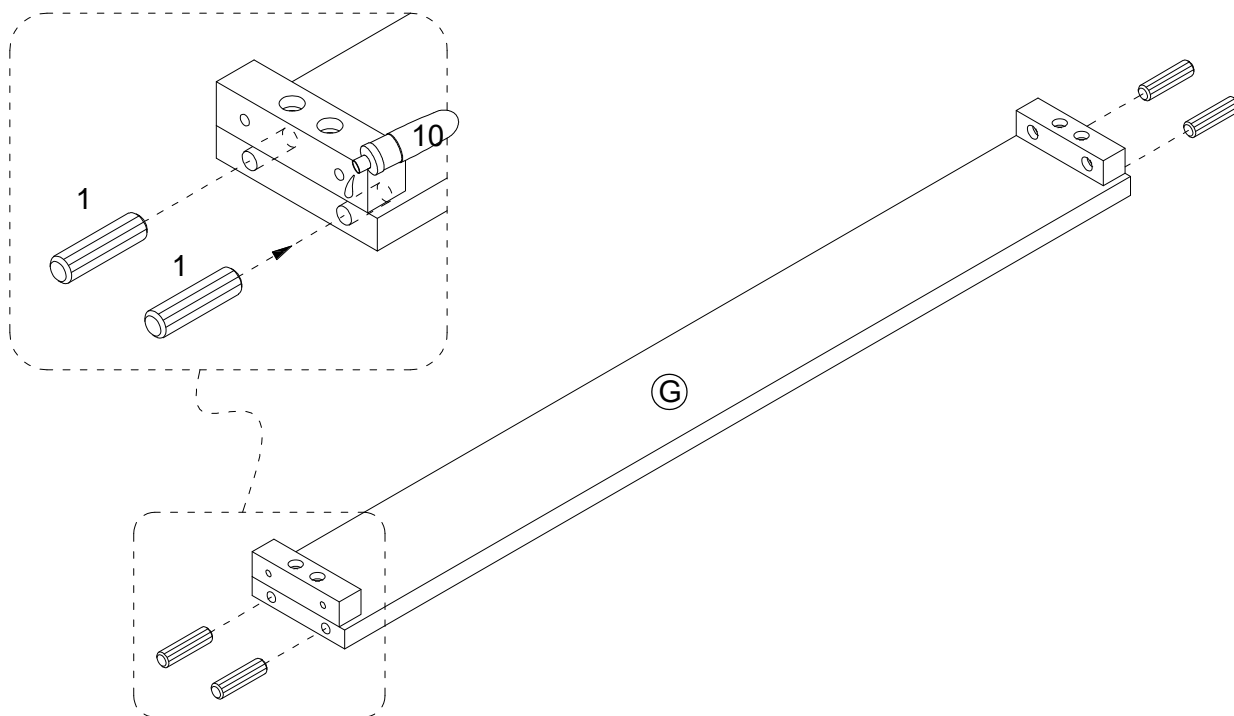


Glue the wood dowels 1 into the inner holes on the back upper rail F.

NOTE: It is very important to use a small amount of glue 10 on ends of dowels and wipe away excess glue immediately.

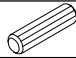

	1 x 4pcs
	10 x 1pc

STEP3

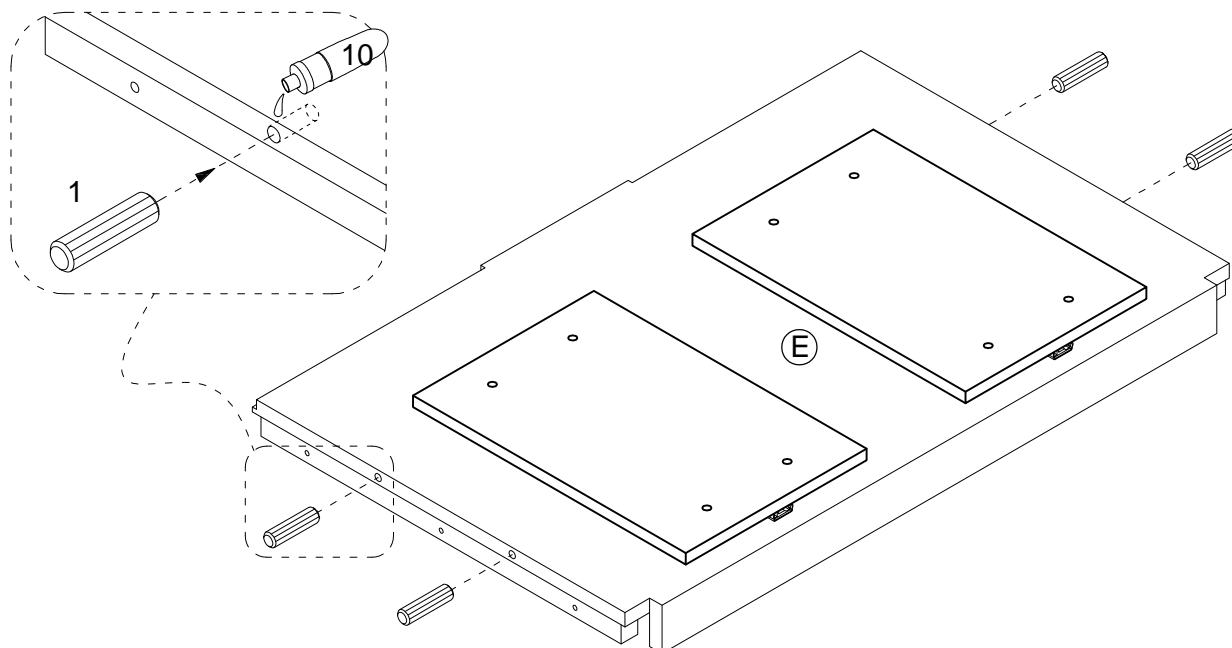


Glue the wood dowels 1 into the inner holes on the back lower rail G.

NOTE: It is very important to use a small amount of glue 10 on ends of dowels and wipe away excess glue immediately.

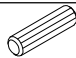

	1 x 4pcs
	10 x 1pc

STEP4

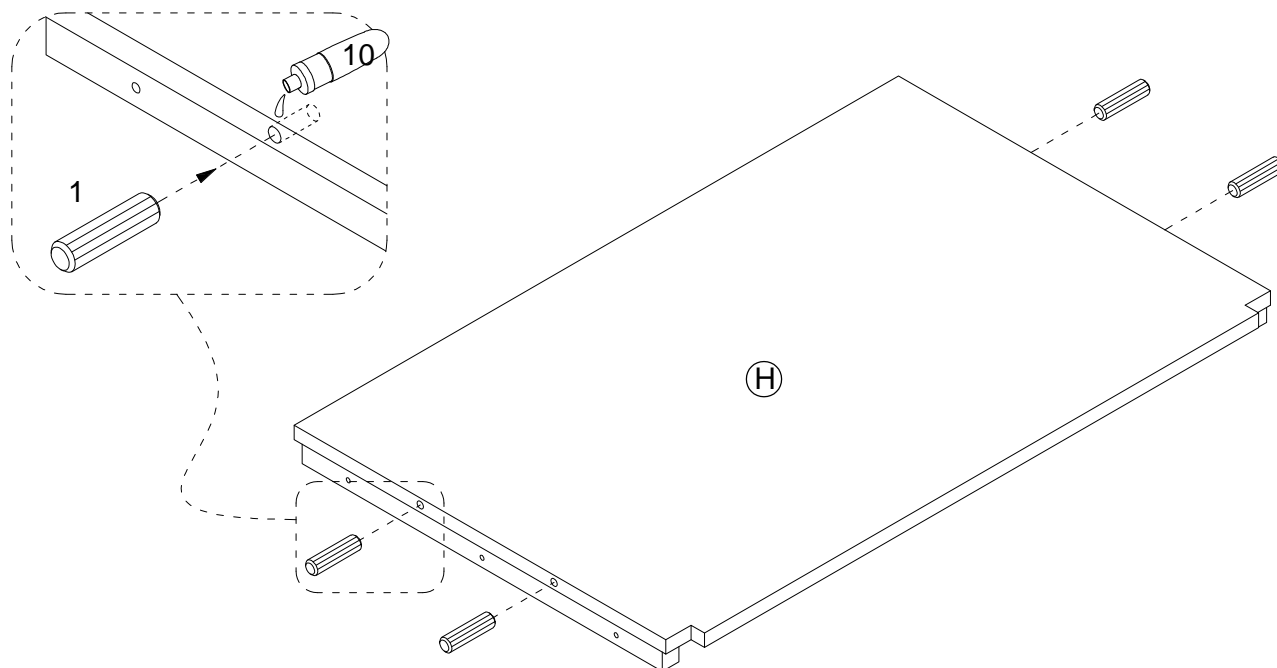


Glue the wood dowels 1 into the inner holes on the shelf panel E.

NOTE: It is very important to use a small amount of glue 10 on ends of dowels and wipe away excess glue immediately.

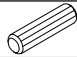

	1 x 4pcs
	10 x 1pc

STEP5

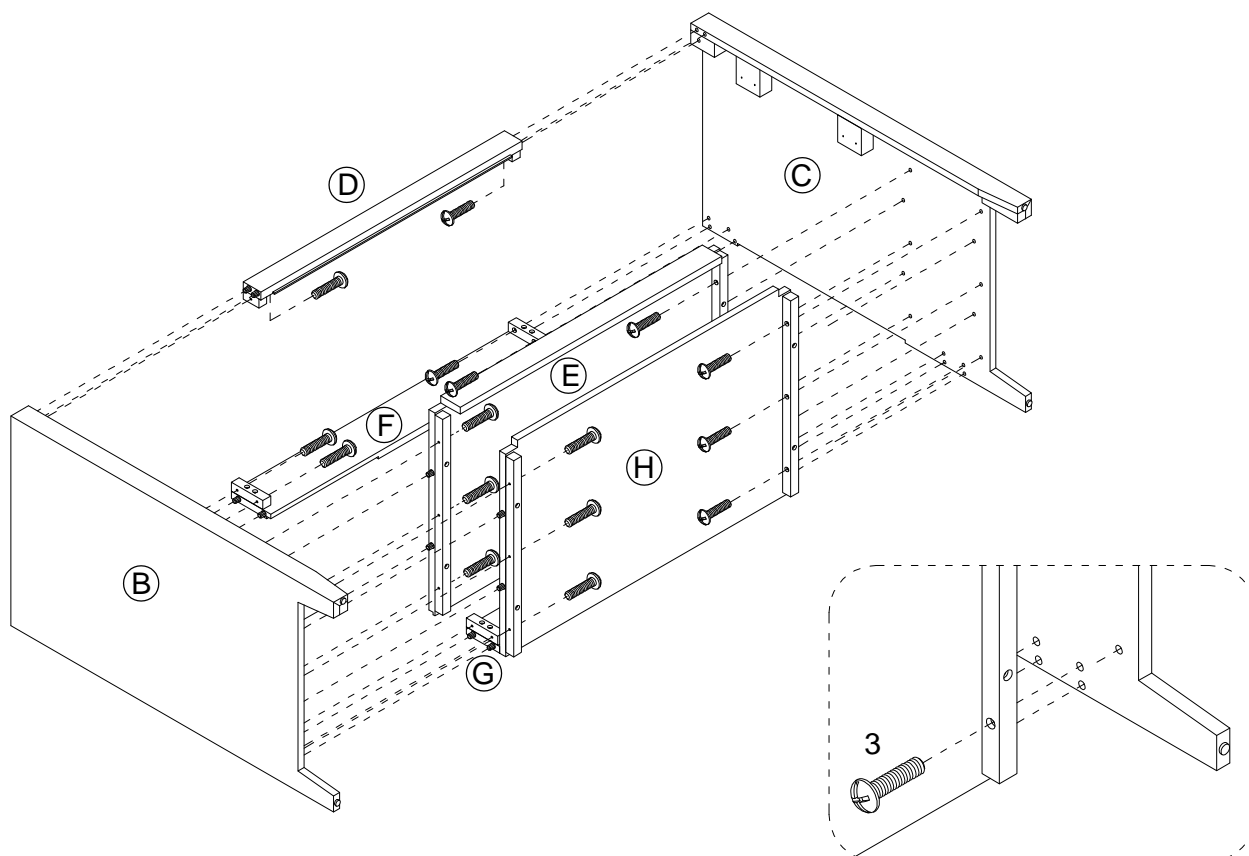



Glue the wood dowels 1 into the inner holes on the bottom panel H.

NOTE: It is very important to use a small amount of glue 10 on ends of dowels and wipe away excess glue immediately.

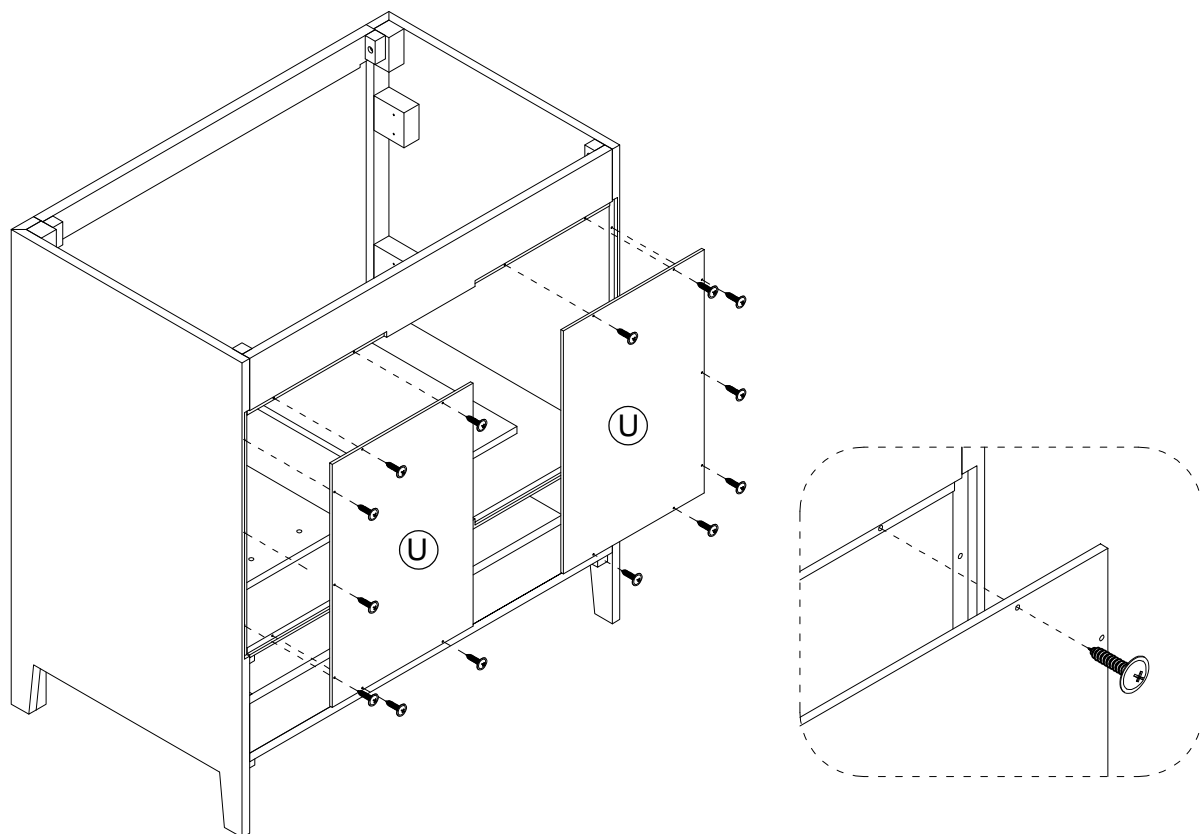
	1 x 4pcs
	10 x 1pc


STEP6



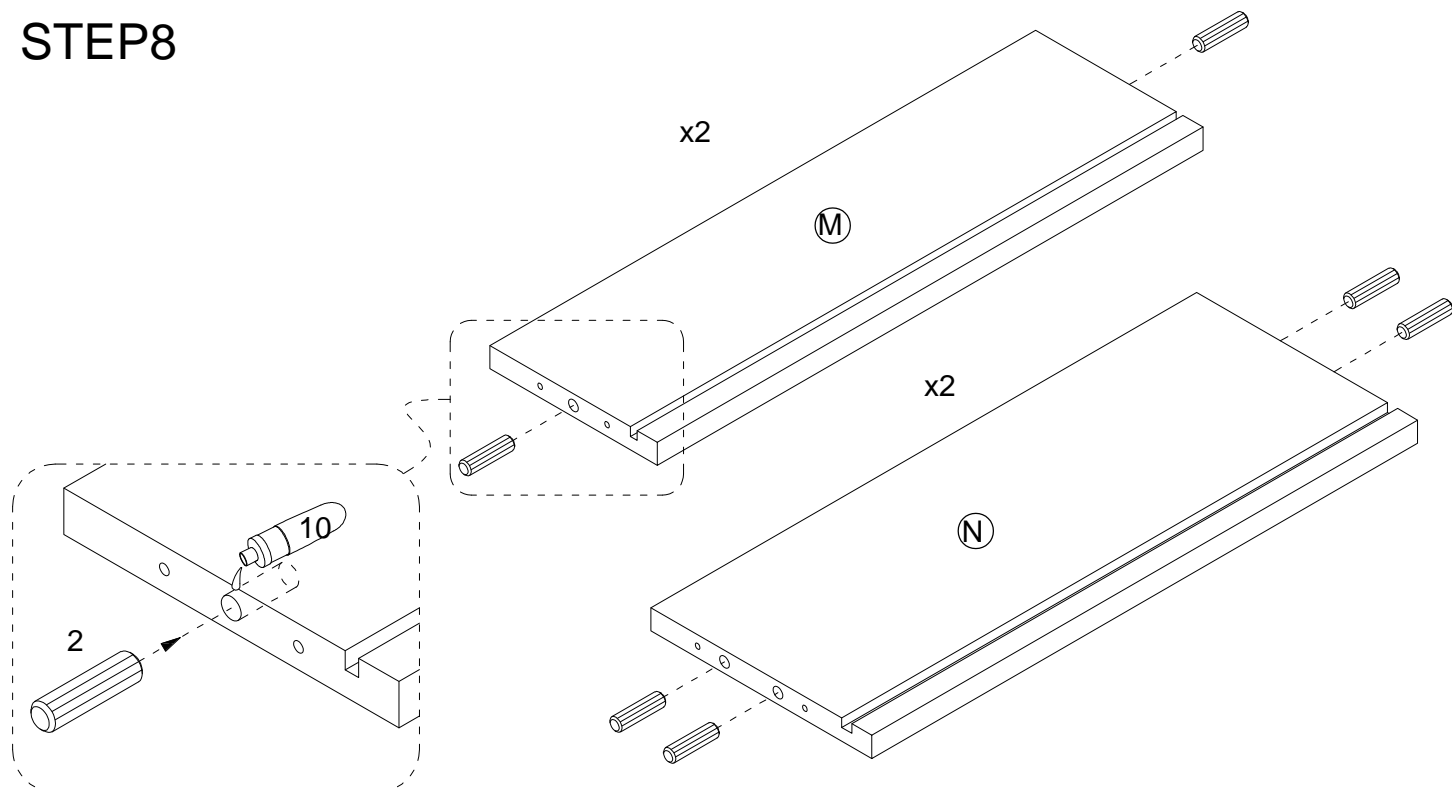
	3 x 22pcs
---	-----------

STEP7



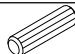

	11 x 14pcs
---	------------

STEP8

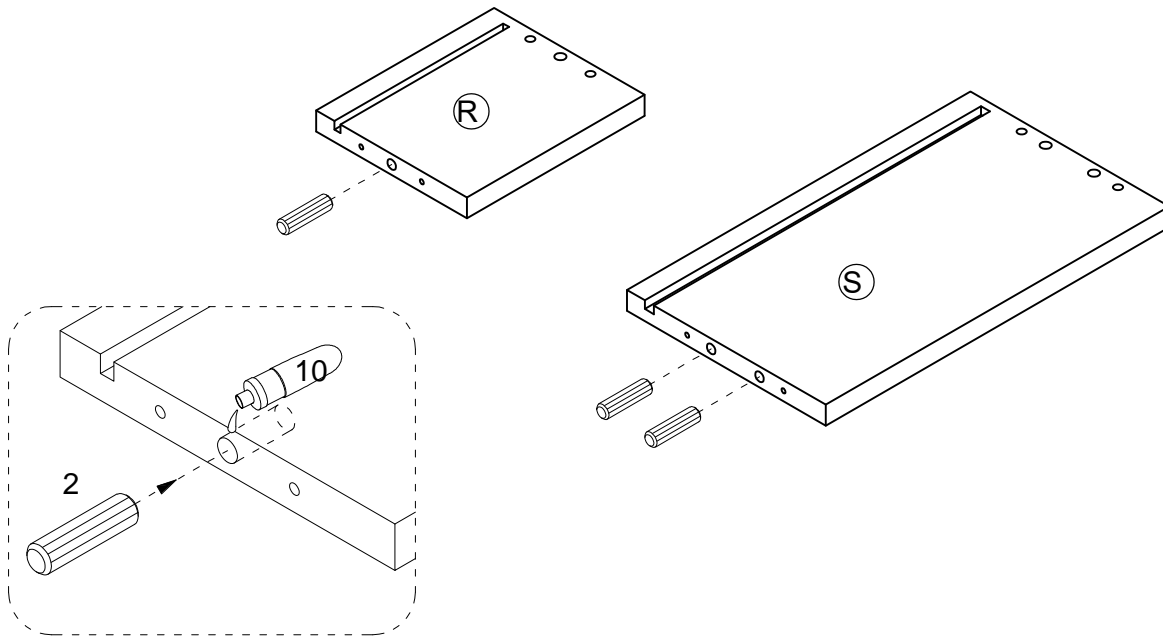


Glue the wood dowels 2 into the inner holes on the front upper rail M and N .

NOTE: It is very important to use a small amount of glue 10 on ends of dowels and wipe away excess glue immediately.

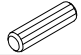

	2 x 12pcs
	10 x 1pc

STEP9

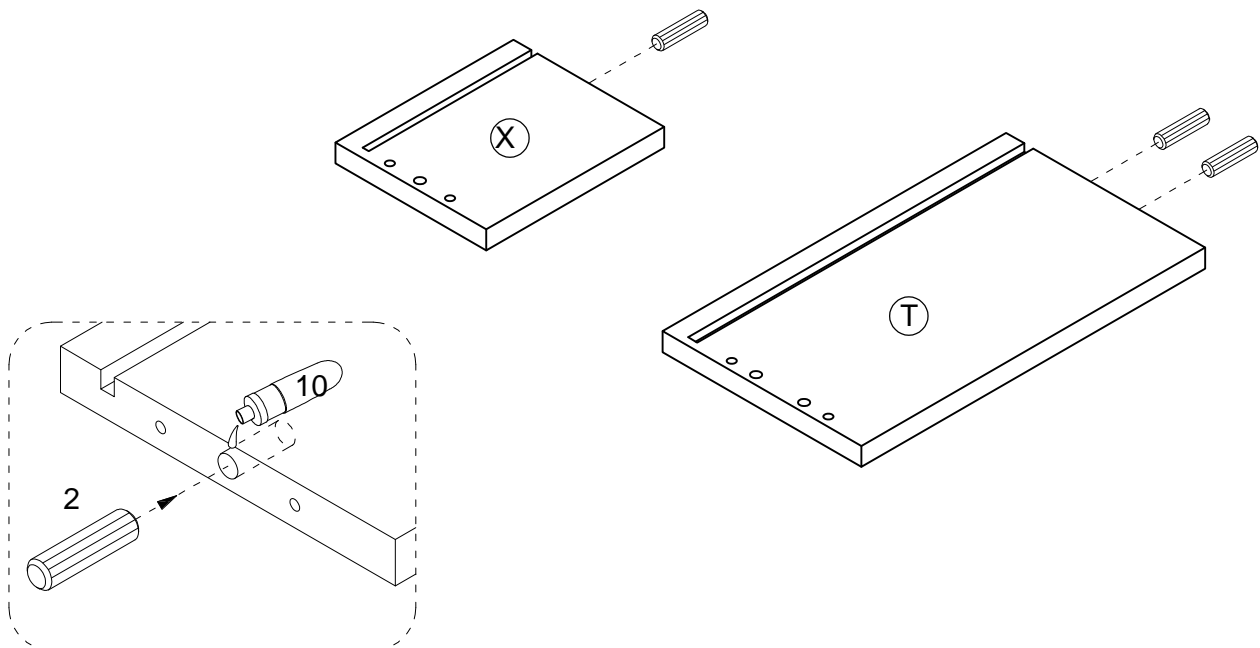


Glue the wood dowels 2 into the inner holes on the front upper rail R and S .

NOTE: It is very important to use a small amount of glue 10 on ends of dowels and wipe away excess glue immediately.

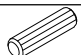

	2 x 3pcs
	10 x 1pc

STEP10

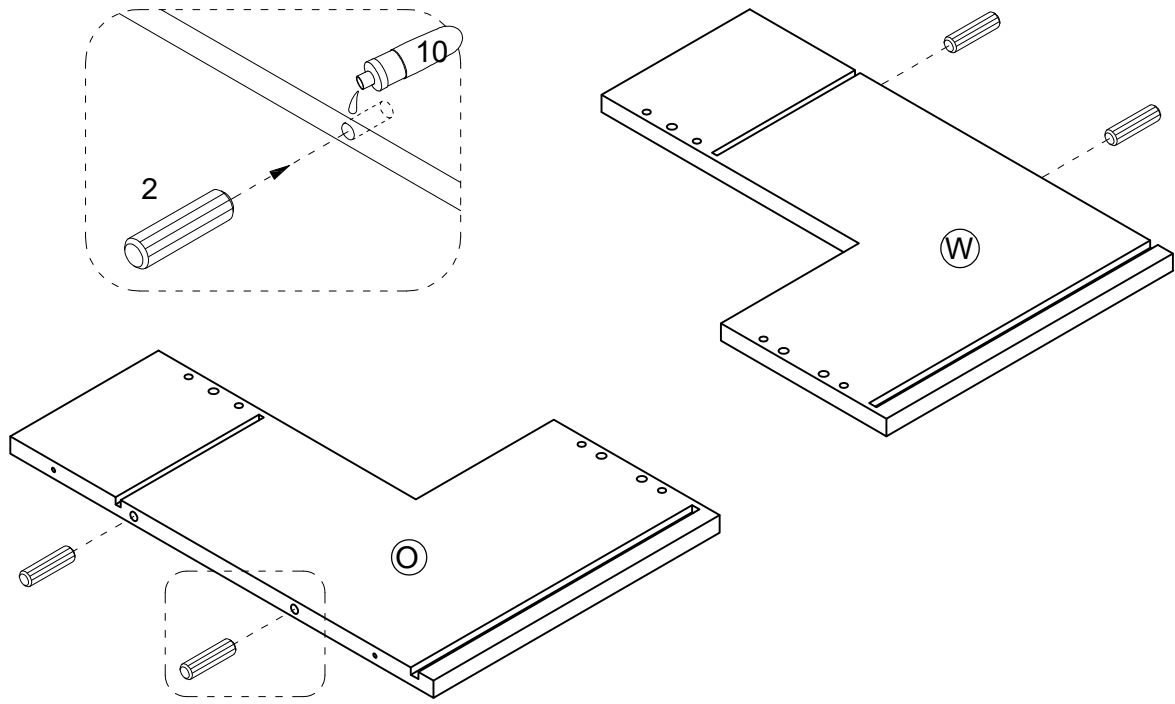


Glue the wood dowels 2 into the inner holes on the front upper rail T and X .

NOTE: It is very important to use a small amount of glue 10 on ends of dowels and wipe away excess glue immediately.

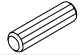
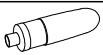
	2 x 3pcs
	10 x 1pc

STEP11

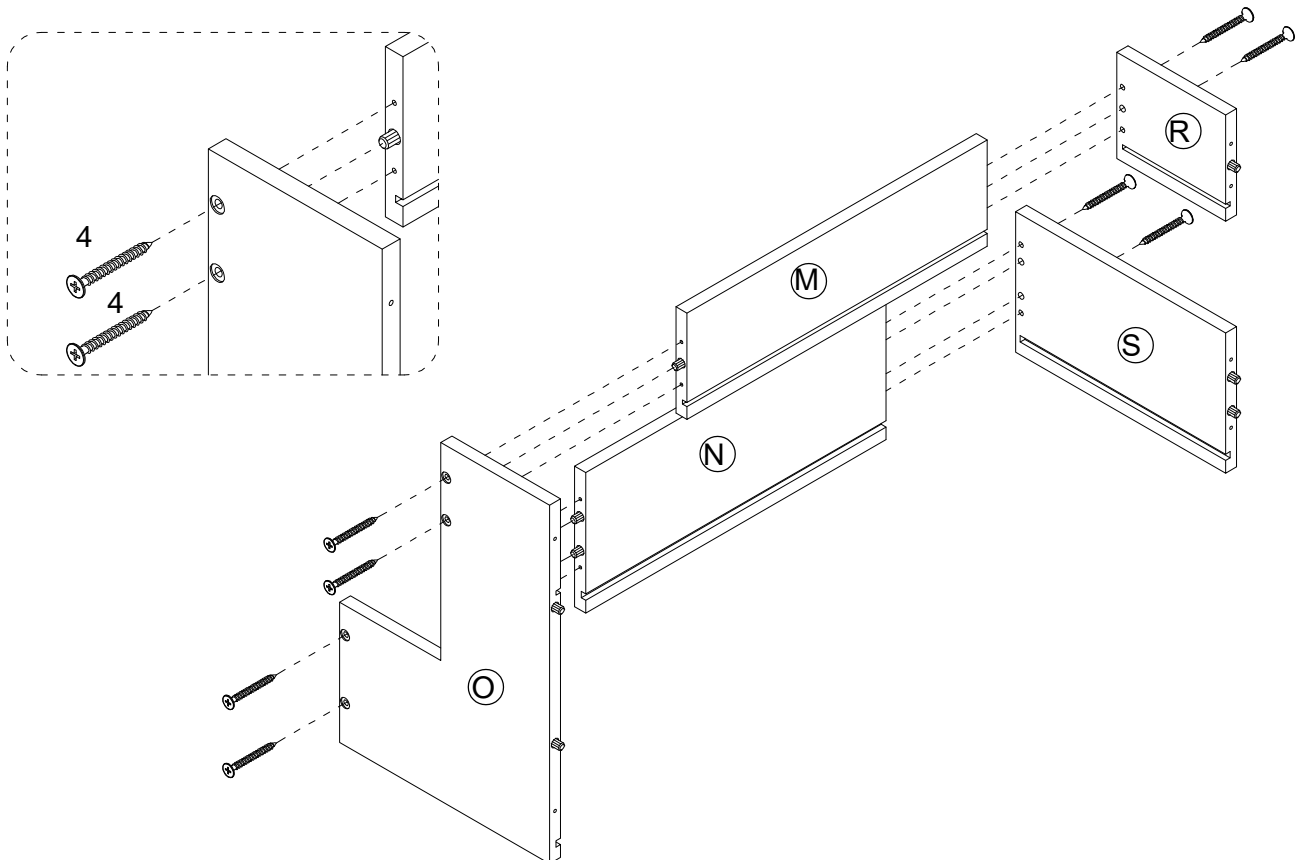



Glue the wood dowels 2 into the inner holes on the front upper rail O and W .

NOTE: It is very important to use a small amount of glue 10 on ends of dowels and wipe away excess glue immediately.

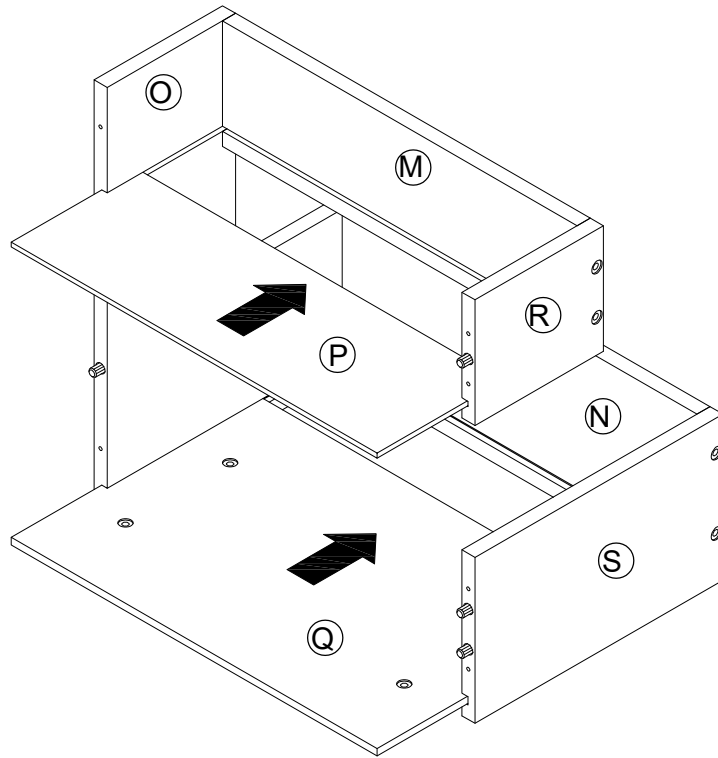
	2 x 4pcs
	10 x 1pc

STEP12

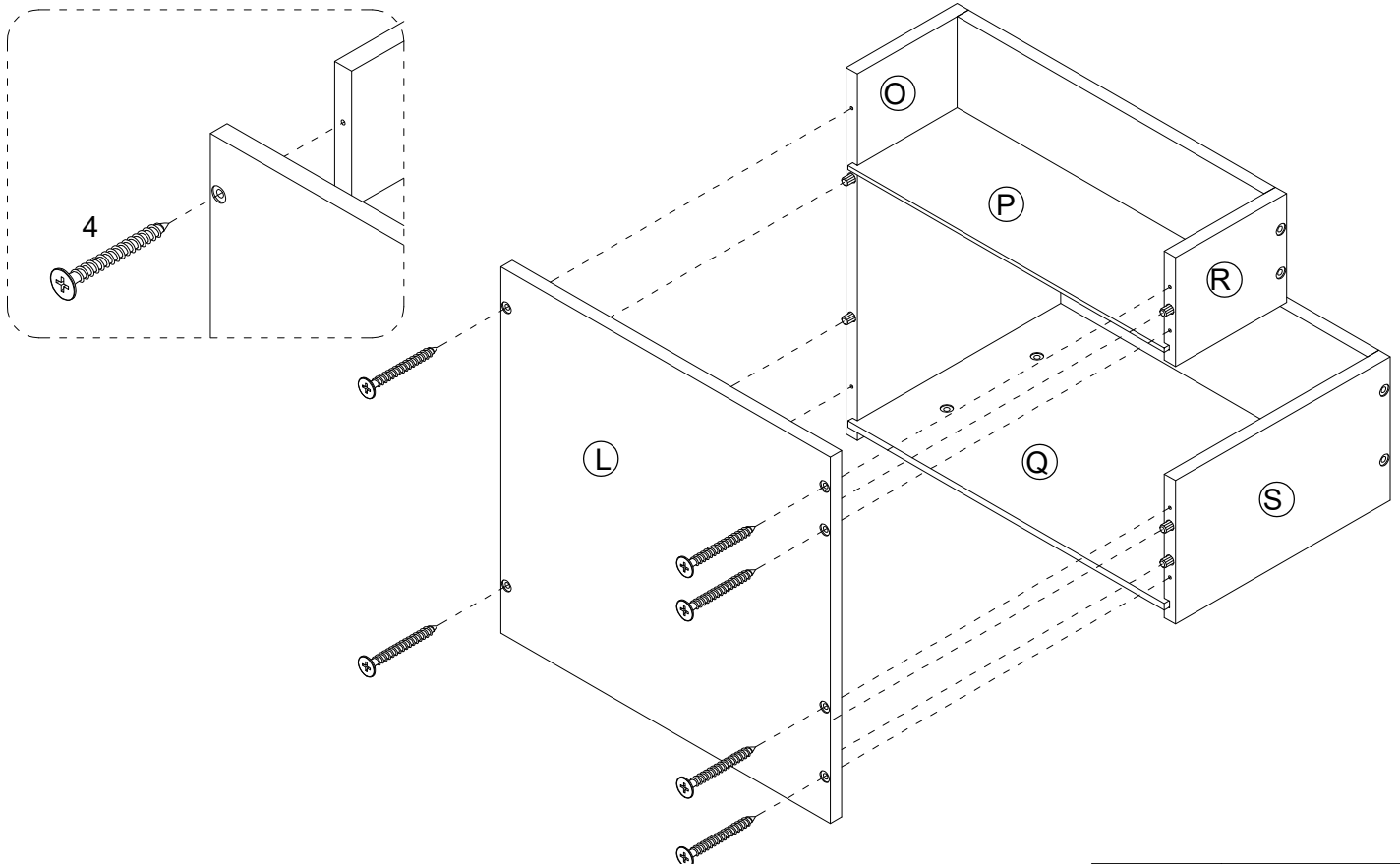


	4 x 8pcs
---	----------

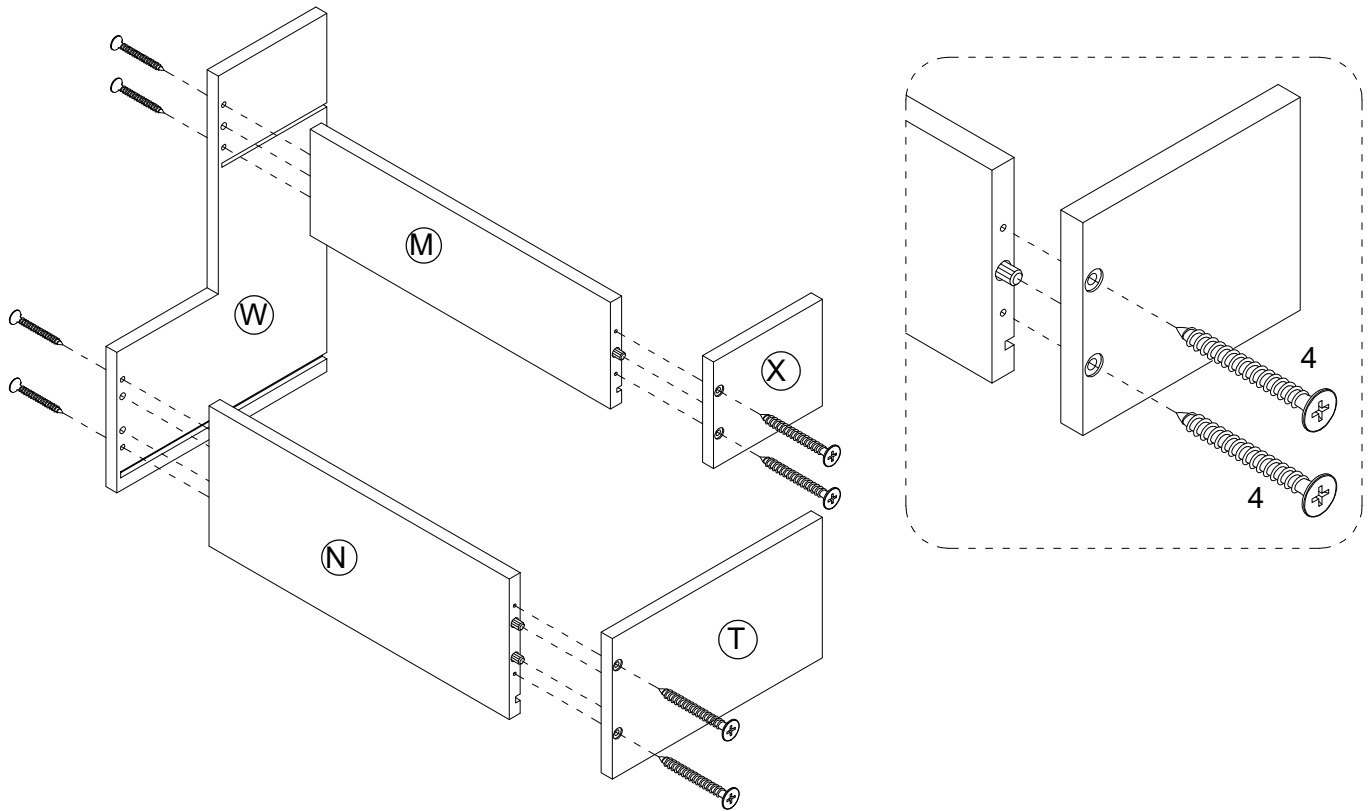
STEP13




STEP14

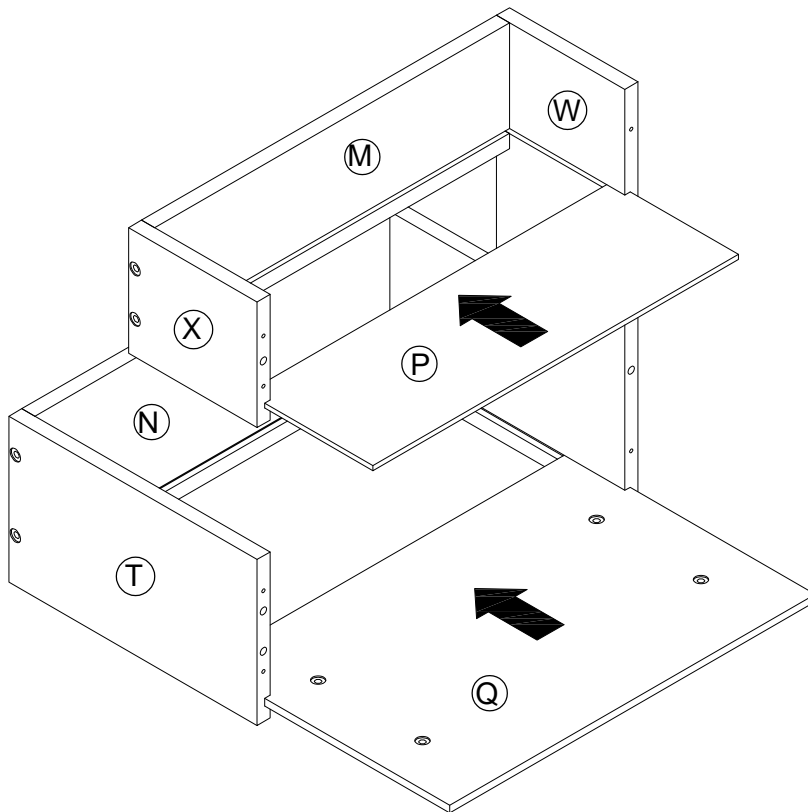


STEP15

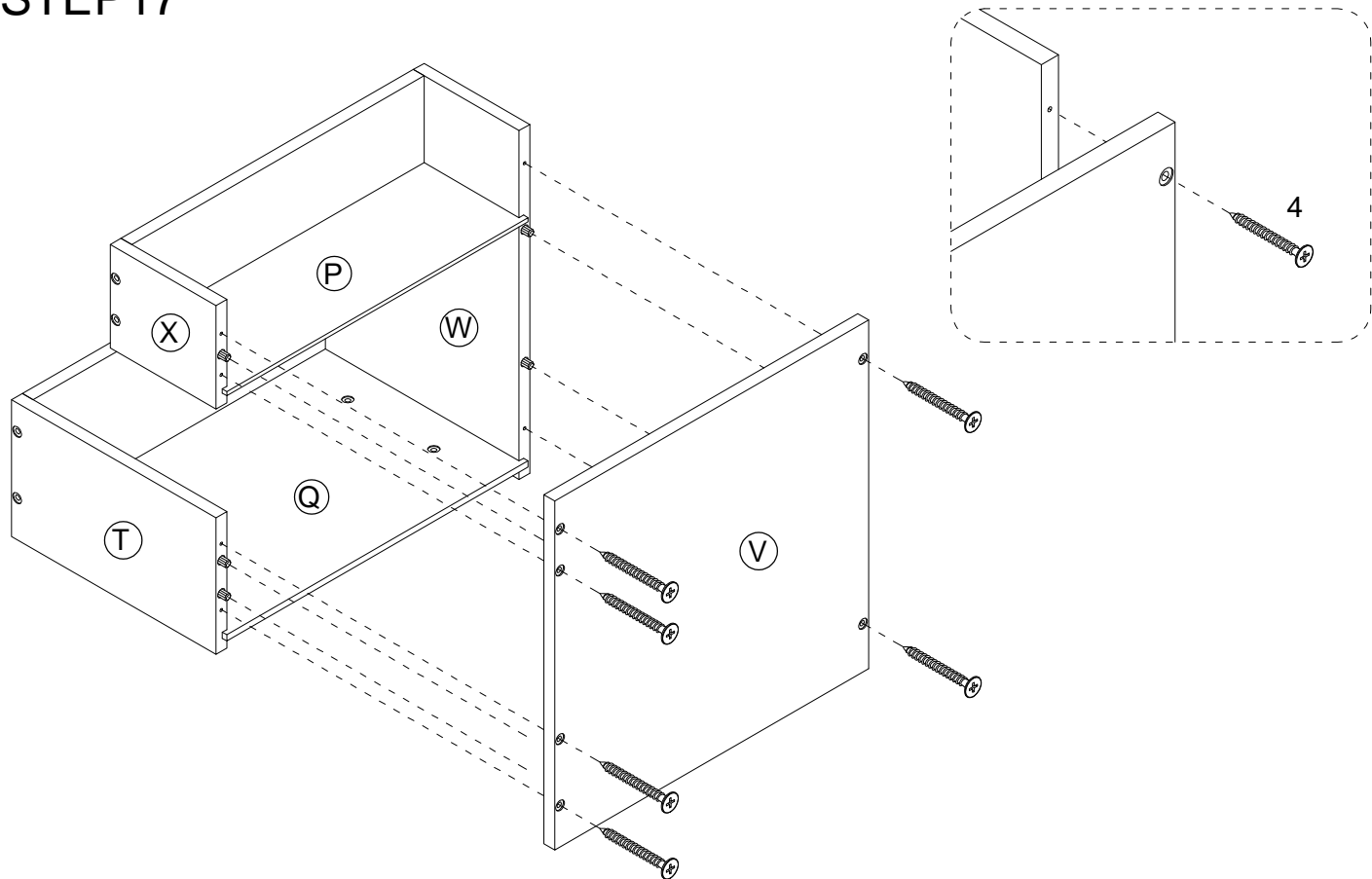



 4 x 8pcs

STEP16

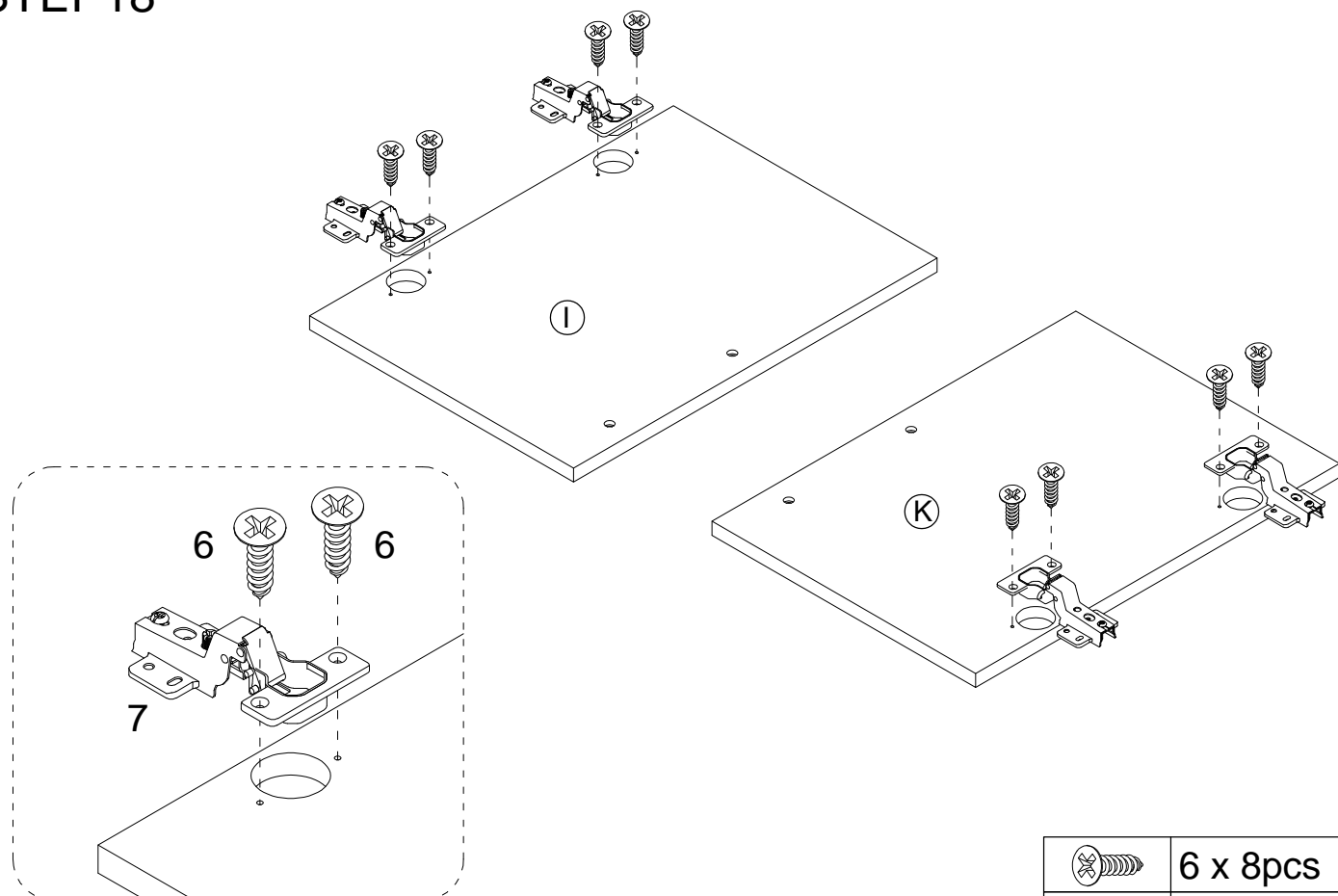




STEP17



	4 x 6pcs
---	----------

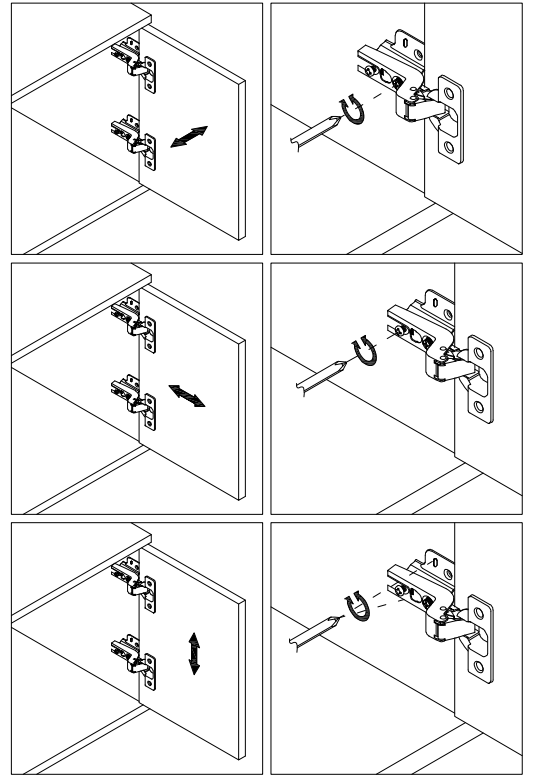
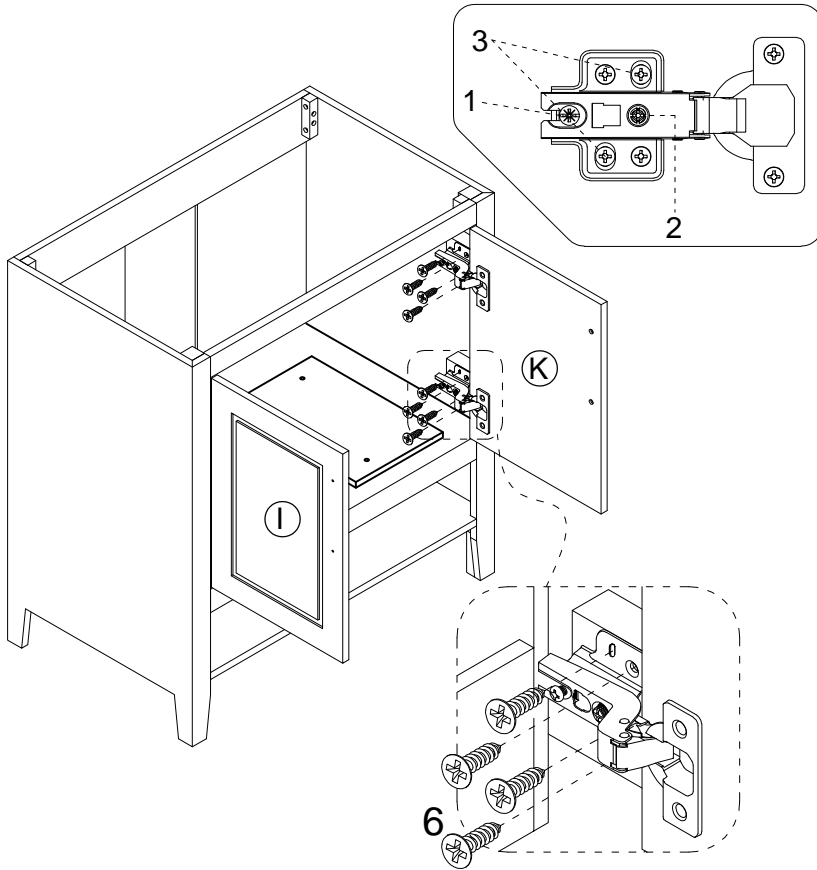
STEP18




	6 x 8pcs
	7 x 4pcs

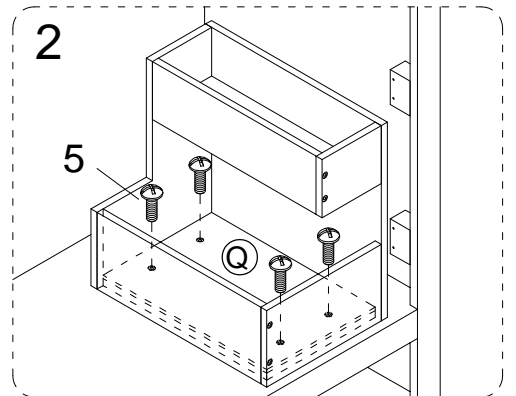
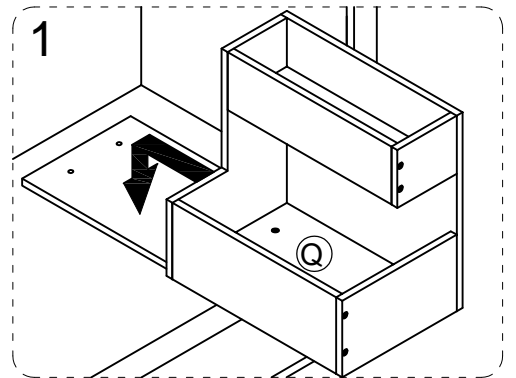
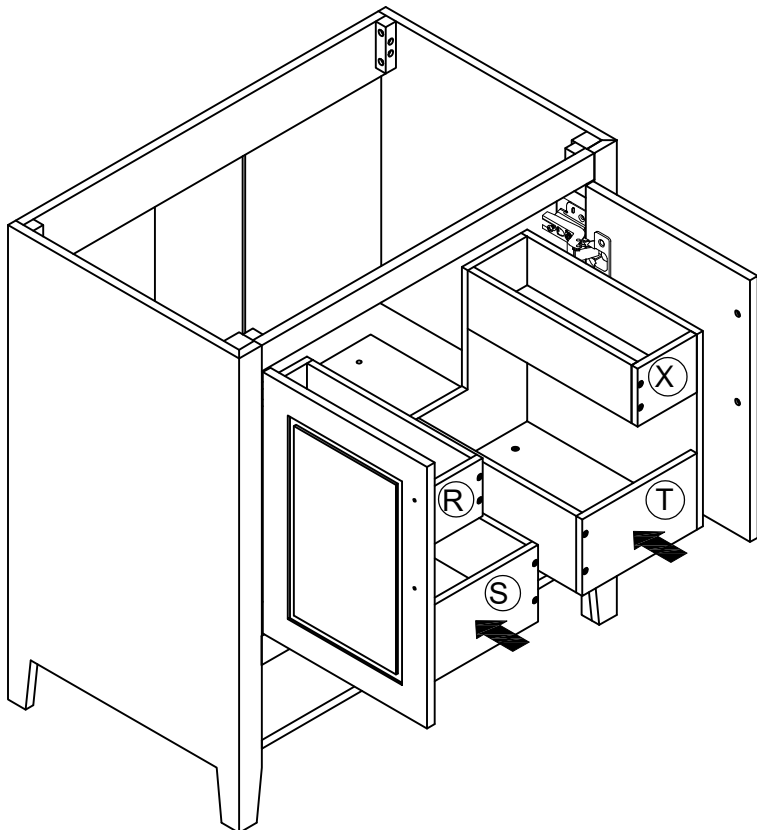
STEP19


Three-way adjustable hinge for perfectly aligned doors
 1.TO ADJUST DOOR FORWARD OR BACKWARD.
 2.TO ADJUST DOOR TO RIGHT ORTO LEFT.
 3.TO ADJUST DOOR UP OR DOWN.



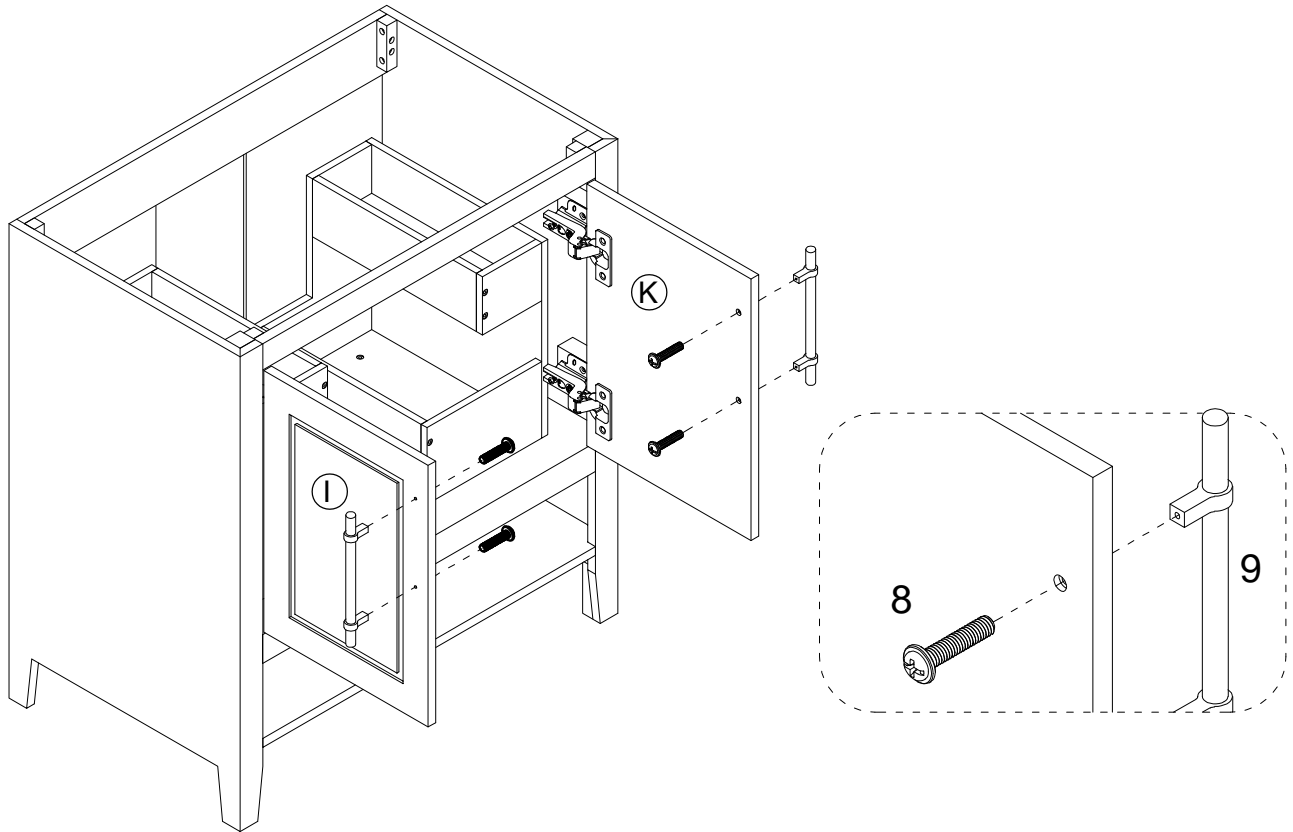
 6 x16pcs



STEP20



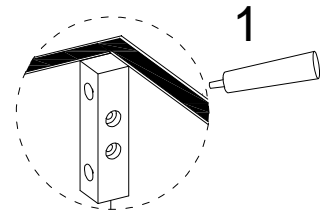
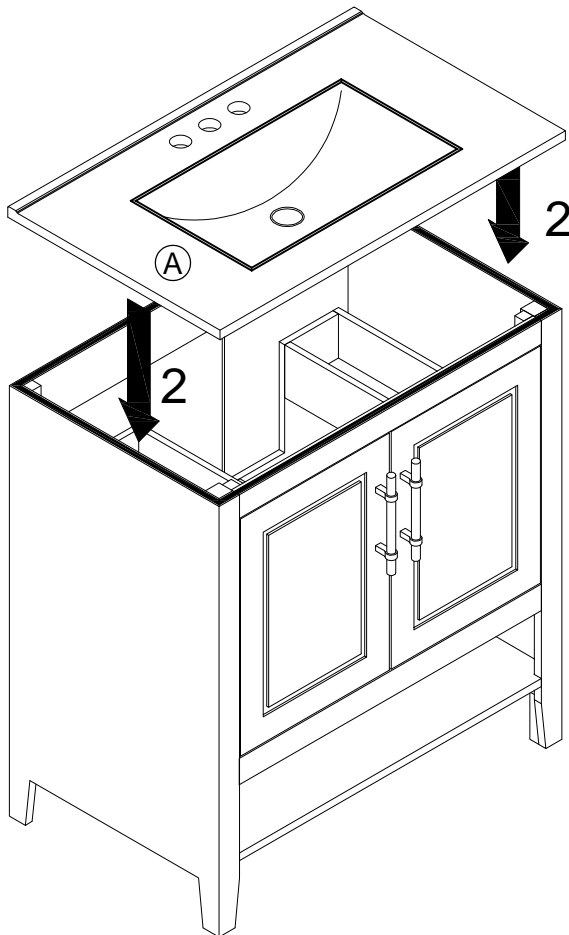
 5 x 8pcs

STEP21



	8 x 4pcs
	9 x 2pcs

STEP22



To install the Top (1) to the vanity (2). Apply silicone caulk to the top edge of the wood cabinet. With the help of another adult, gently lower the Sink top with assembled sink onto the cabinet. Make sure the Sink top is flush with the back side of the wood cabinet and the wood cabinet left and right side walls.

STEP23

