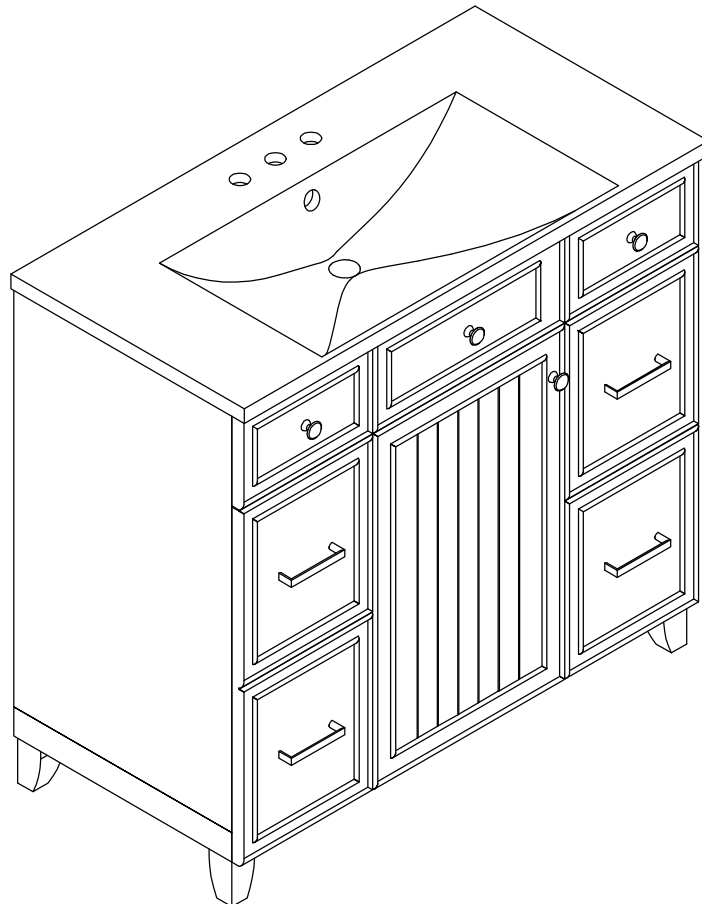


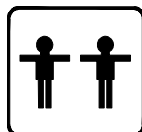
ASSEMBLY INSTRUCTIONS

36 INCH BATH VANITY-CABINET

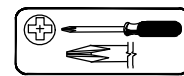


Thank you for purchasing this quality product. Be sure to check all packing material carefully for small parts which may have come loose inside the carton during shipment. Separate, identify and count all parts and hardware. Compare with the parts list to be sure all parts are present.
"DO NOT TIGHTEN SCREWS UNTIL COMPLETELY ASSEMBLED"

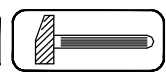
*** Use of power tool to assemble this product will invalidate any claim and damage this product making unsafe !!!**
*** Please assemble on a clean soft surface to avoid damage.**



Tools Required



(Not included)

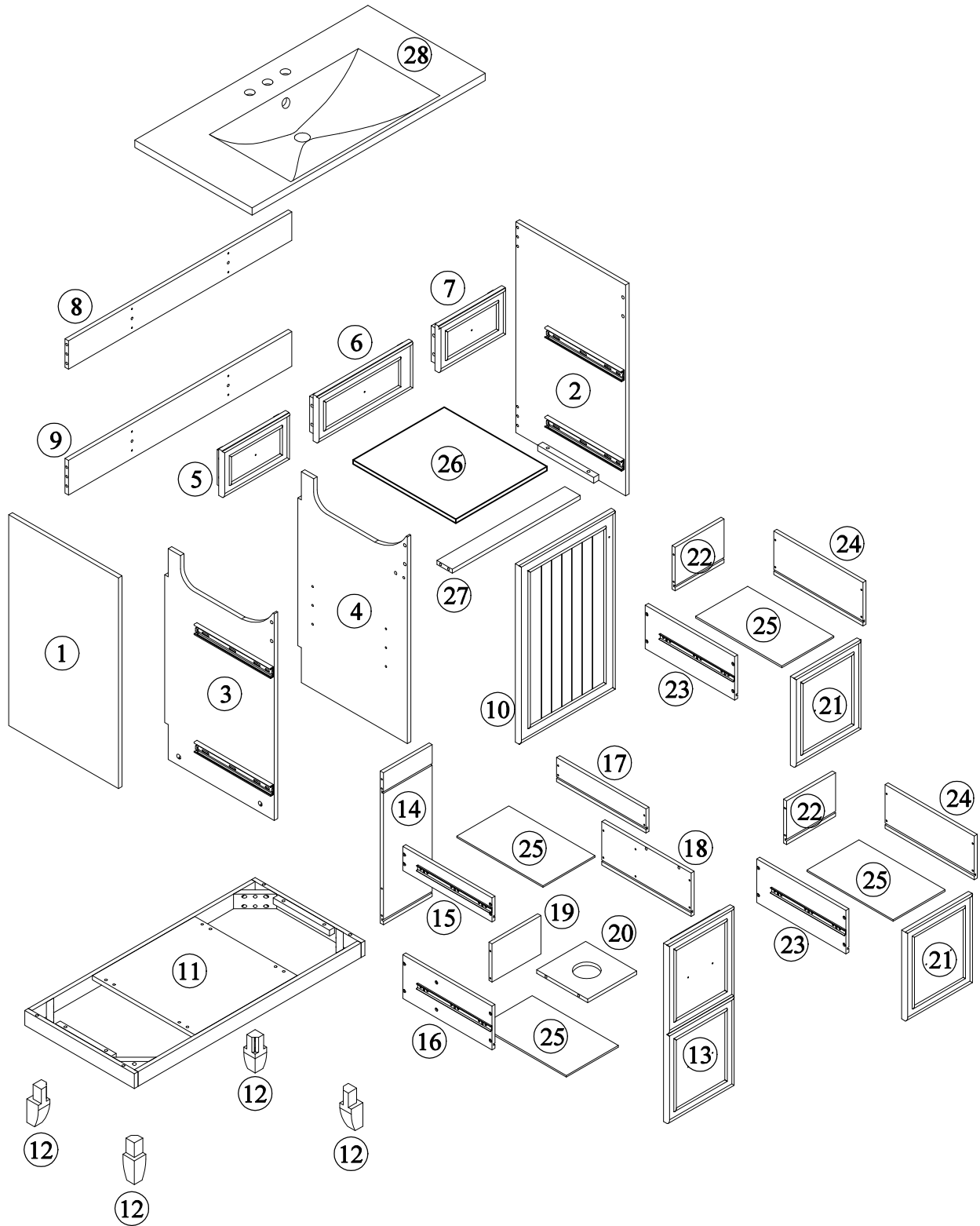


(Not included)

IMPORTANT:

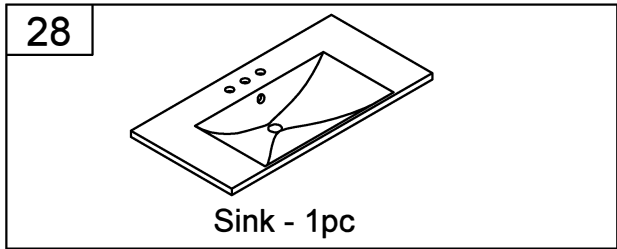
PLEASE READ INSTRUCTION BEFORE STARTING THE ASSEMBLY

Detail View - CABINET



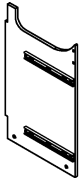
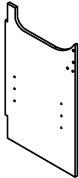
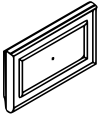
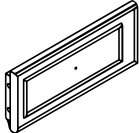
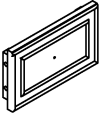
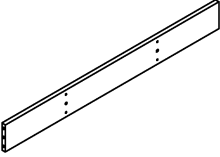
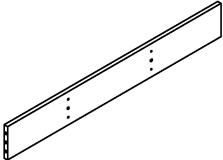
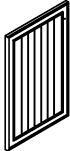


Identifying the Hardware-Identify the hardware using the illustrations below.

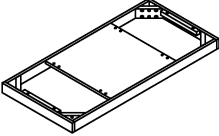



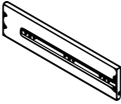
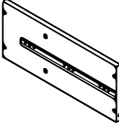

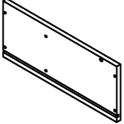
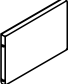

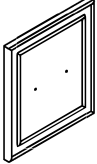
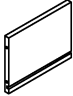
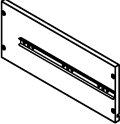
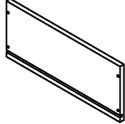
Part List - ELR85G1A01



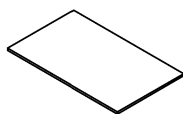
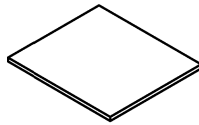
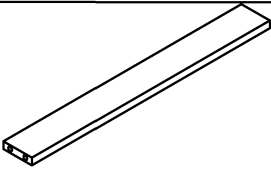
Part List - ELR85G1A01

| | | | |
|---|--|----|--|
| 1 |  <p>Side Panel (L) - 1pc</p> | 2 |  <p>Side Panel (R) - 1pc</p> |
| 3 |  <p>Mid Fixed Panel (L) - 1pc</p> | 4 |  <p>Mid Fixed Panel (R) - 1pc</p> |
| 5 |  <p>Front Panel (L) - 1pc</p> | 6 |  <p>Front Panel Mid - 1pc</p> |
| 7 |  <p>Front Panel (R) - 1pc</p> | 8 |  <p>Back Panel Top - 1pc</p> |
| 9 |  <p>Back Panel Bottom - 1pc</p> | 10 |  <p>Door - 1pc</p> |

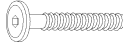





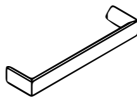
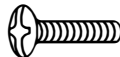

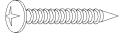
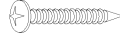
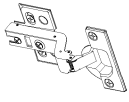

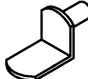



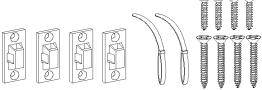
Part List - ELR85G1A01

| | |
|---|--|
| <p>11</p>  <p>Frame Bottom - 1pc</p> | <p>12</p>  <p>Foot - 4pcs</p> |
| <p>13</p>  <p>Drawer Front (L) - 1pc</p> | <p>14</p>  <p>Drawer Back (L)- 1pc</p> |
| <p>15</p>  <p>Drawer Side Top(L-L) - 1pc</p> | <p>16</p>  <p>Drawer Side Bottom(L-L) - 1pc</p> |
| <p>17</p>  <p>Drawer Side Top(L-R) - 1pc</p> | <p>18</p>  <p>Drawer Side Bottom(L-R) - 1pc</p> |
| <p>19</p>  <p>Drawer Mid - 1pc</p> | <p>20</p>  <p>Drawer Mid Top - 1pc</p> |
| <p>21</p>  <p>Drawer Front (R) - 2pcs</p> | <p>22</p>  <p>Drawer Back (R) - 2pcs</p> |
| <p>23</p>  <p>Drawer Side (R-L) - 2pcs</p> | <p>24</p>  <p>Drawer Side (R-R) - 2pcs</p> |

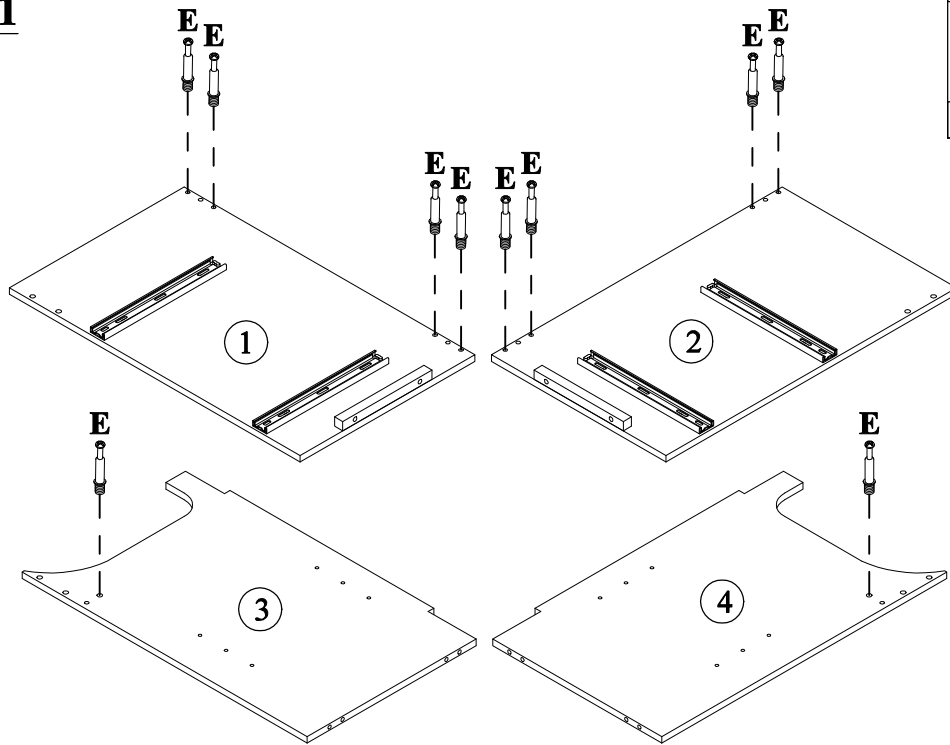
Part List - ELR85G1A01

| | |
|---|---|
| <p>25</p>  <p>Drawer Bottom - 4pcs</p> | <p>26</p>  <p>Adjustable Shelf - 1pc</p> |
| <p>27</p>  <p>Mid Bar - 1pc</p> | |

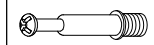
Hardware List - ELR85G1A01

| | | |
|---|---|--|
| <p>A</p>  <p>ø13x1/4"x28mm</p> | <p>B</p>  <p>ø13x1/4"x38mm</p> | <p>C</p>  <p>ø13x1/4"x50mm</p> |
| <p>Hex-Head bolts(8pcs)</p> | | |
| <p>D</p>  <p>ø1/4"x16x1mm</p> | <p>E</p> <p>ø6x35mm</p> | <p>F</p>  <p>ø14.5x12mm</p> |
| <p>Washer(20pcs) Three in one bolts(14pcs) Three in one lock(14pcs)</p> | | |
| <p>G</p>  | <p>H</p>  | <p>I</p>  <p>ø5/32"x19mm</p> |
| <p>Handle(4pcs) Handle (4pcs) Handle screw(6pcs)</p> | | |
| <p>J</p>  <p>ø5/32"x32mm</p> | <p>K</p>  <p>ø8xø4x32mm</p> | <p>L</p>  <p>ø8xø4x25mm</p> |
| <p>Handle screw(6pcs) Round head screw(36pcs) Round head screw(8pcs)</p> | | |
| <p>M</p>  | <p>N</p>  <p>ø7xø3.5x15mm</p> | <p>R</p>  |
| <p>Damping hinge (2pcs) Flat head screw(12pcs) Laminate pad(4pcs)</p> | | |
| <p>S</p>  <p>ø8x30mm</p> | <p>T</p>  <p>ø6x30mm</p> | <p>U</p>  <p>4mm</p> |
| <p>Wood dowel(22pcs) Wood dowel(4pcs) Allen key(1pc)</p> | | |
| <p>V</p>  <p>Anti fall hardware(1set)</p> | | |

STEP: 1

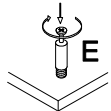


E

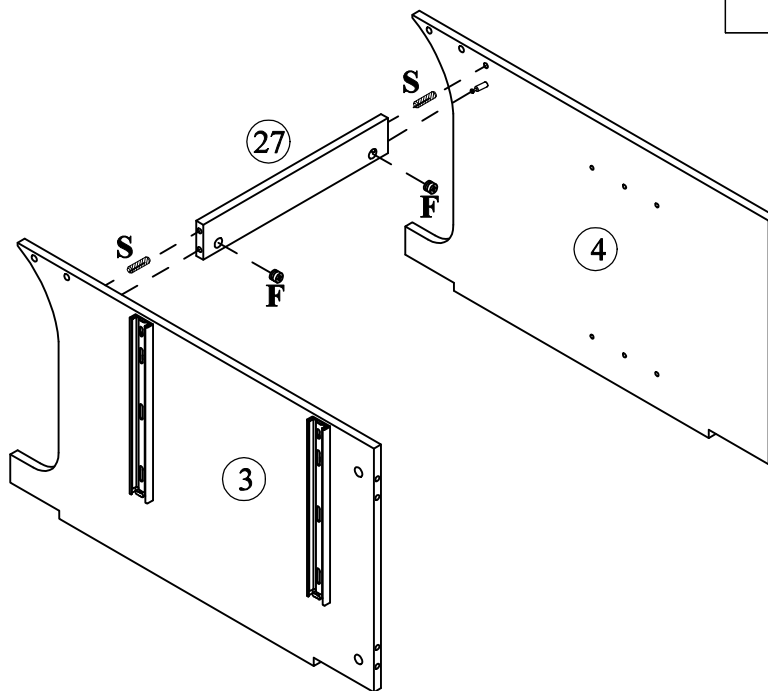


10PCS

Do Not Over Tighten



STEP: 2

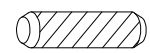


F



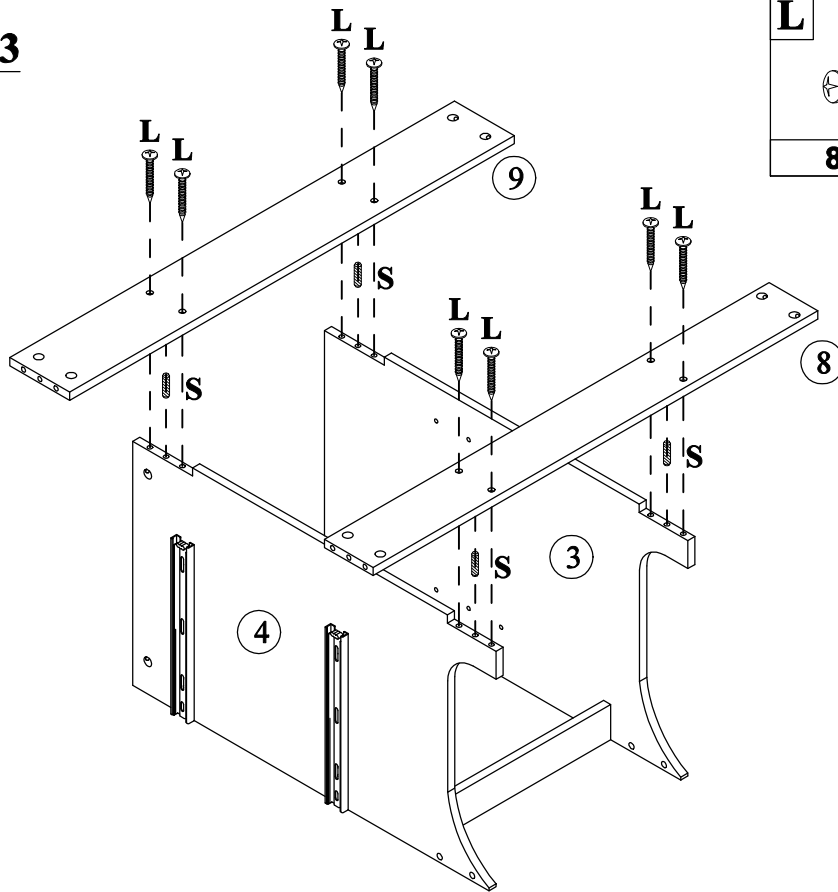
2PCS



S



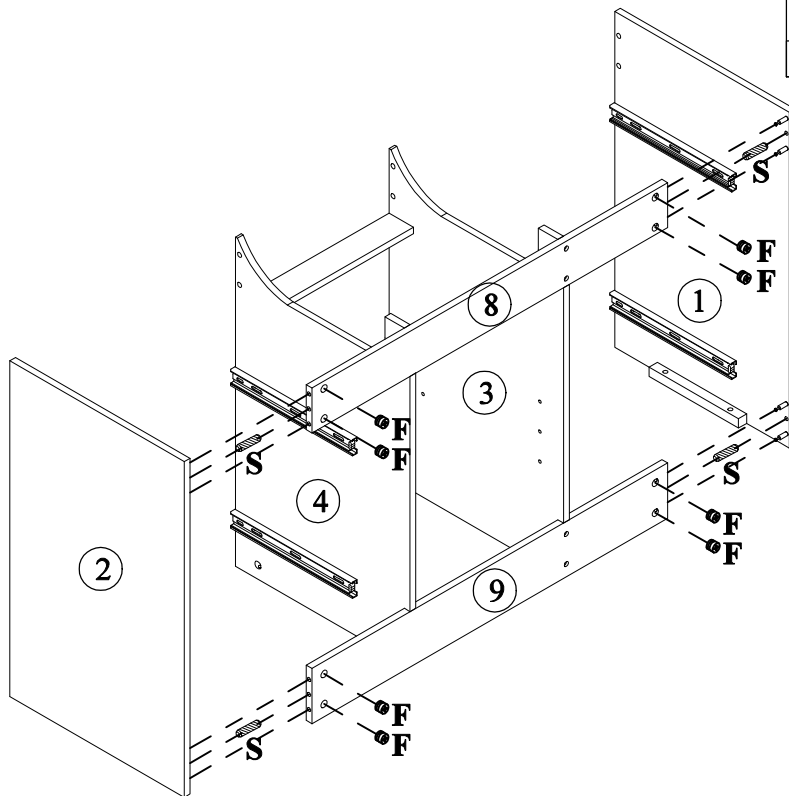
2PCS



STEP: 3





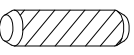
| | |
|---|---|
| L | S |
|  |  |
| 8PCS | 4PCS |

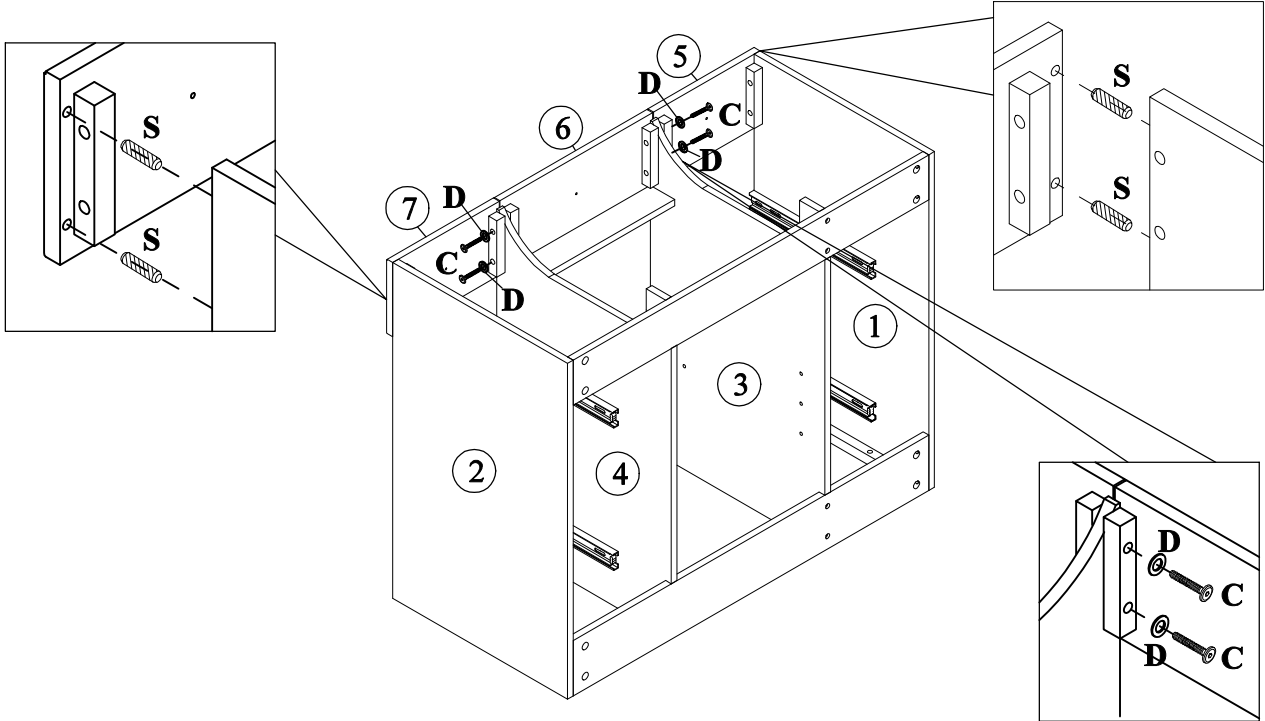
STEP: 4



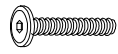

| | |
|---|---|
| F | S |
|  |  |
| 8PCS | 4PCS |

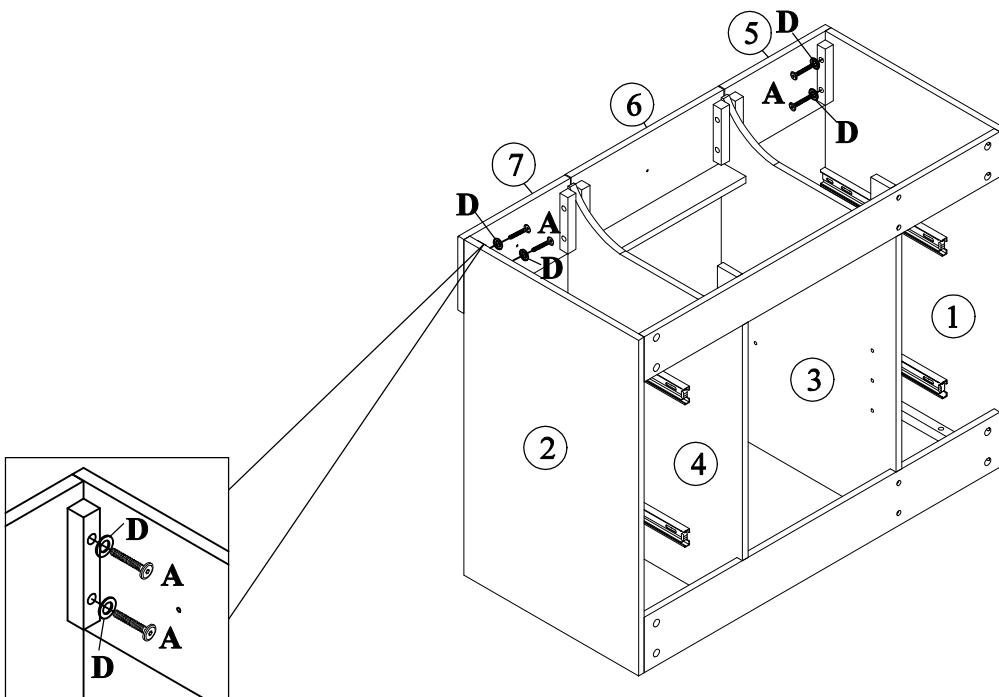
STEP: 5

| | | |
|--|---|---|
| C  | D  | S  |
| 4PCS | 4PCS | 4PCS |



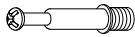


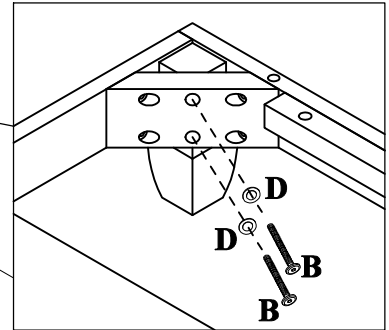
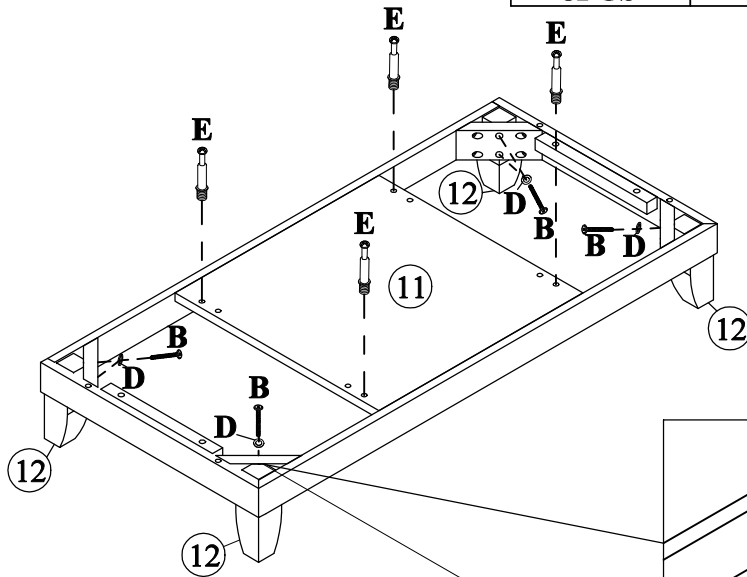
STEP: 6

| | |
|---|---|
| A  | D  |
| 4PCS | 4PCS |

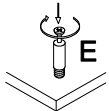


STEP: 7



| | | |
|--|---|---|
| B | D | E |
|  |  |  |
| 8PCS | 8PCS | 4PCS |

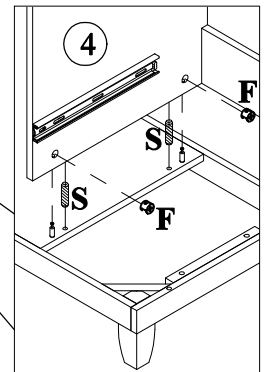
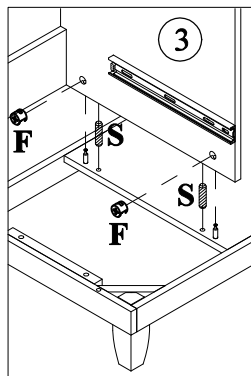
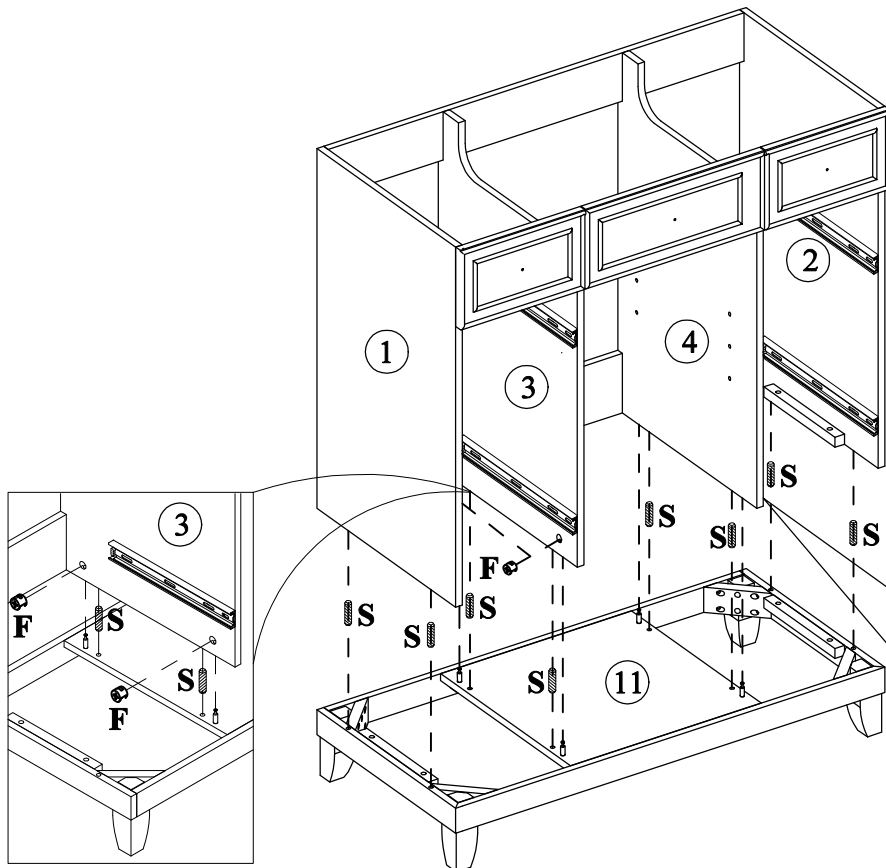


Do Not Over Tighten





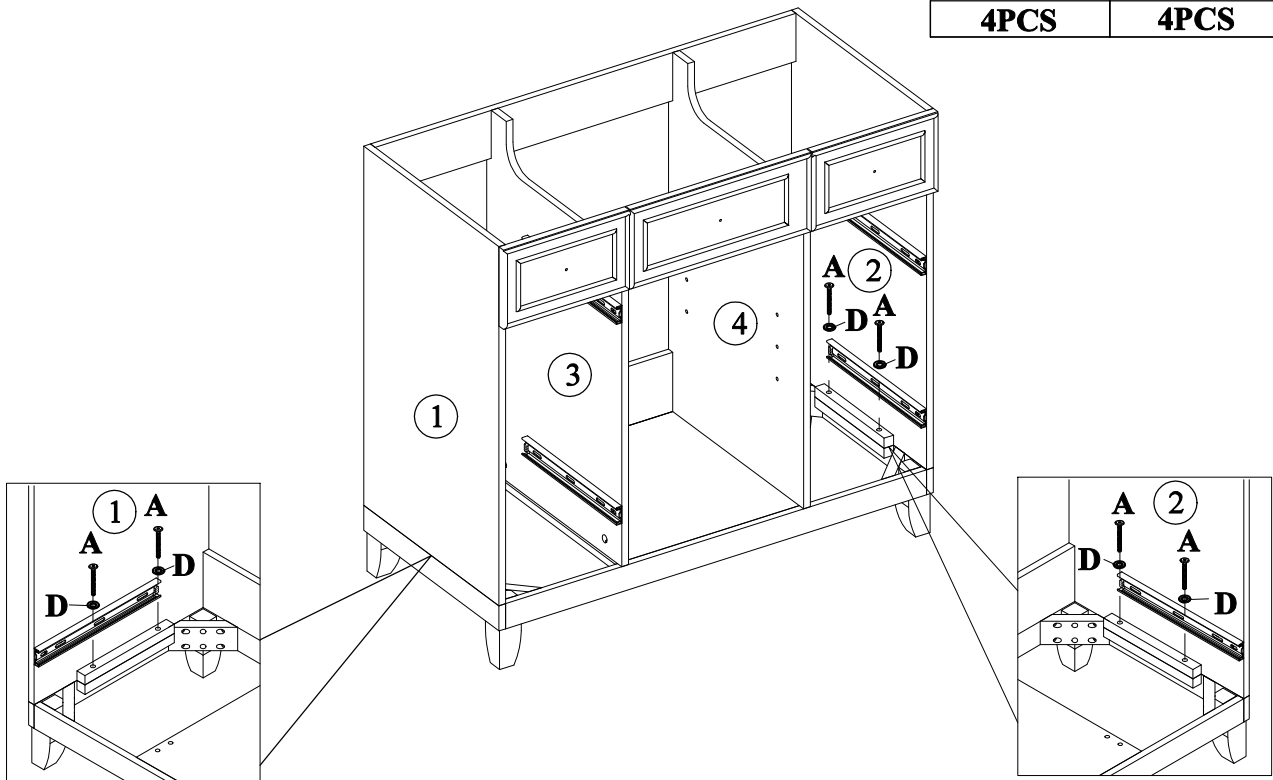
STEP: 8

| | |
|---|---|
| F | S |
|  |  |
| 4PCS | 8PCS |


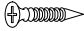


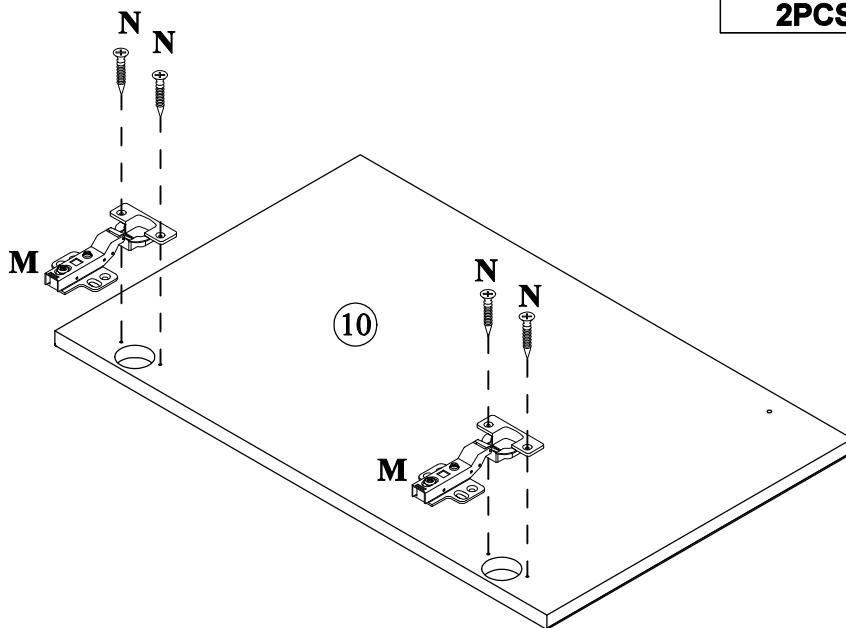
STEP: 9

| | |
|---|---|
| A | D |
|  |  |
| 4PCS | 4PCS |


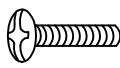



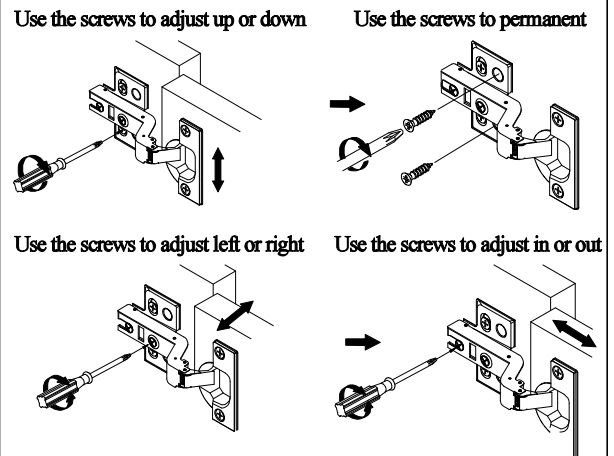
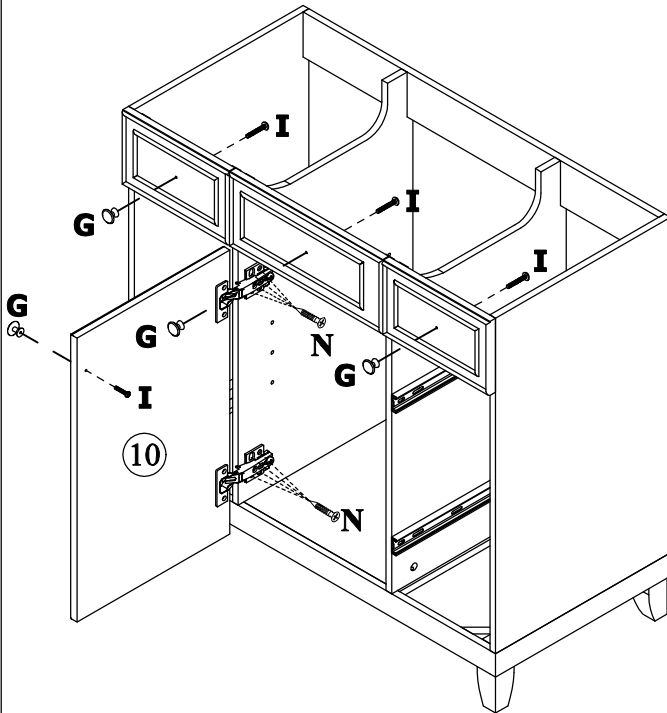
STEP: 10

| | |
|---|---|
| M | N |
|  |  |
| 2PCS | 4PCS |

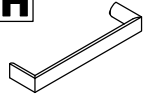
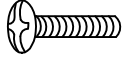
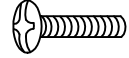


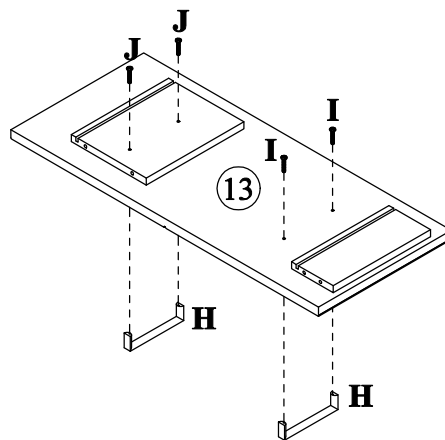
STEP: 11

| | | |
|--|---|---|
| G | I | N |
|  |  |  |
| 4PCS | 4PCS | 8PCS |



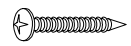
STEP: 12

| | | |
|--|---|---|
| H | I | J |
|  |  |  |
| 2PCS | 2PCS | 2PCS |

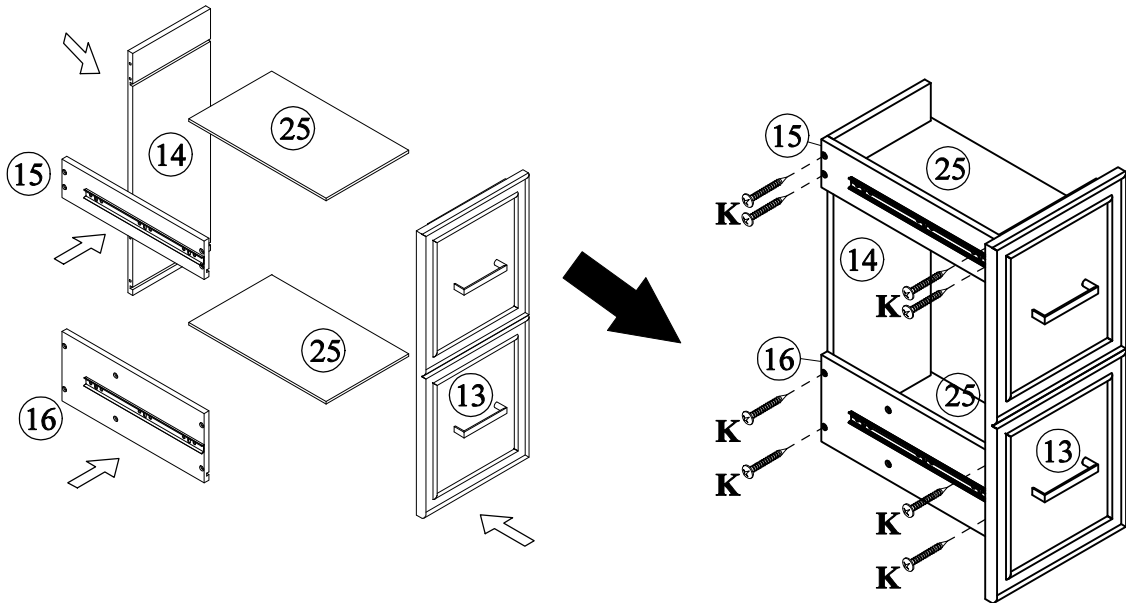


STEP: 13

K



8PCS

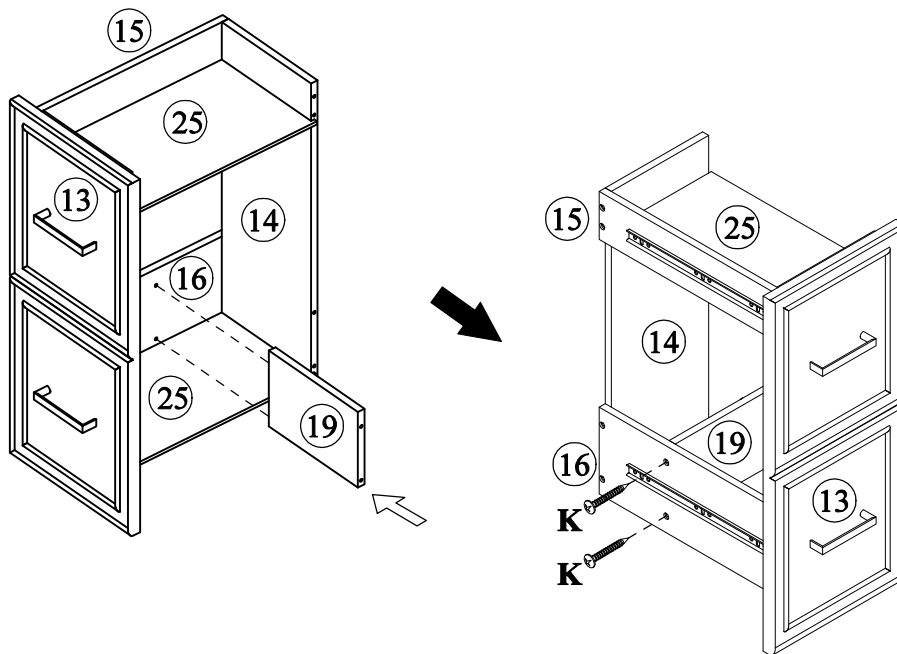


STEP: 14



K

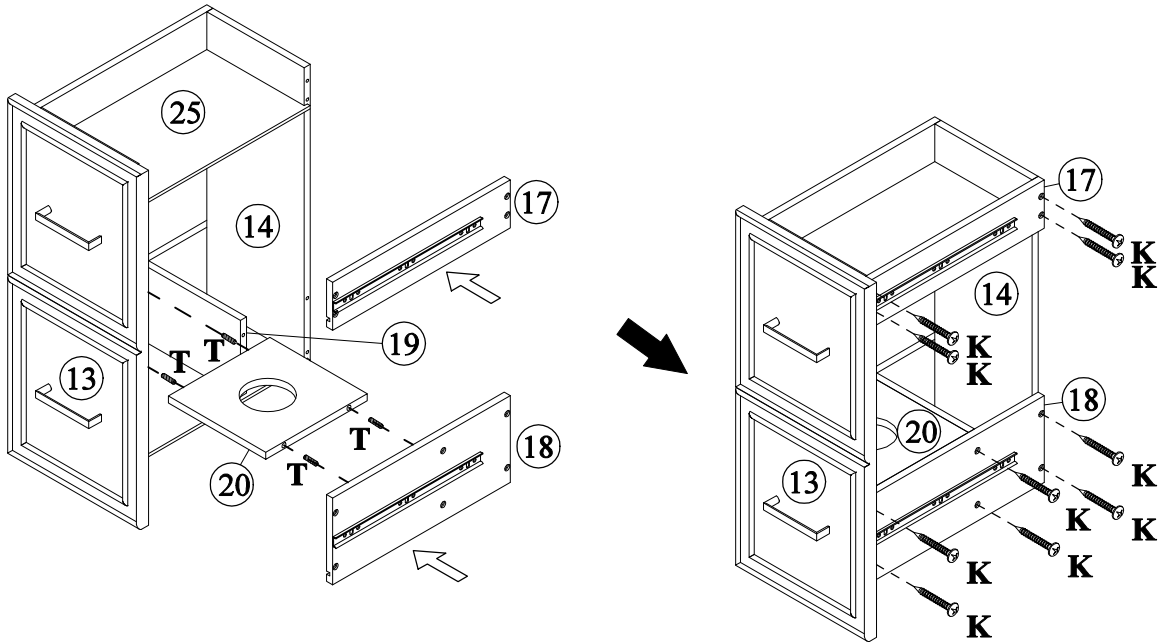


2PCS




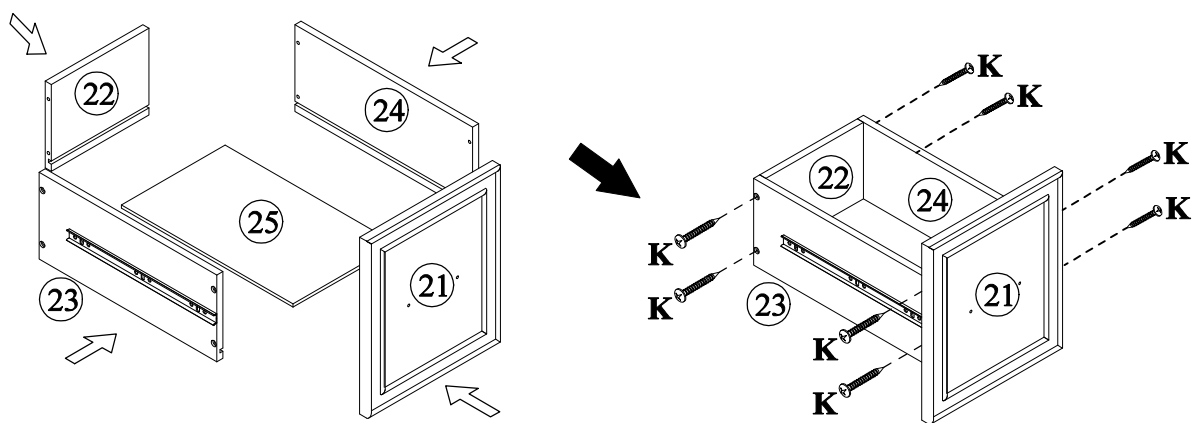
STEP: 15

| | |
|---|---|
| K | T |
|  |  |
| 10PCS | 4PCS |



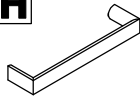
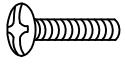
STEP: 16

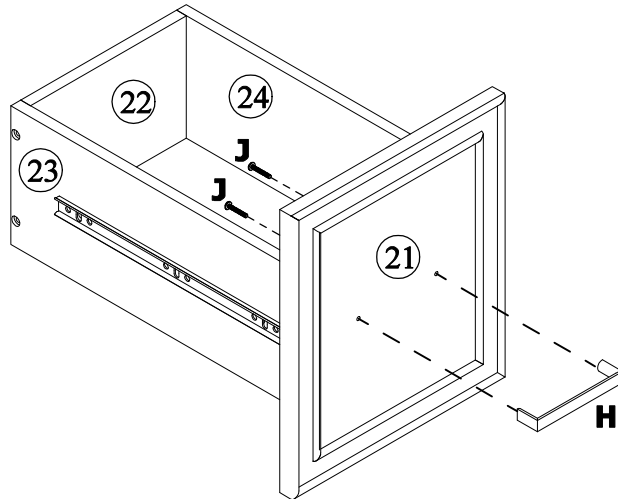
| |
|---|
| K |
|  |
| 16PCS |



X2

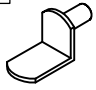
STEP: 17

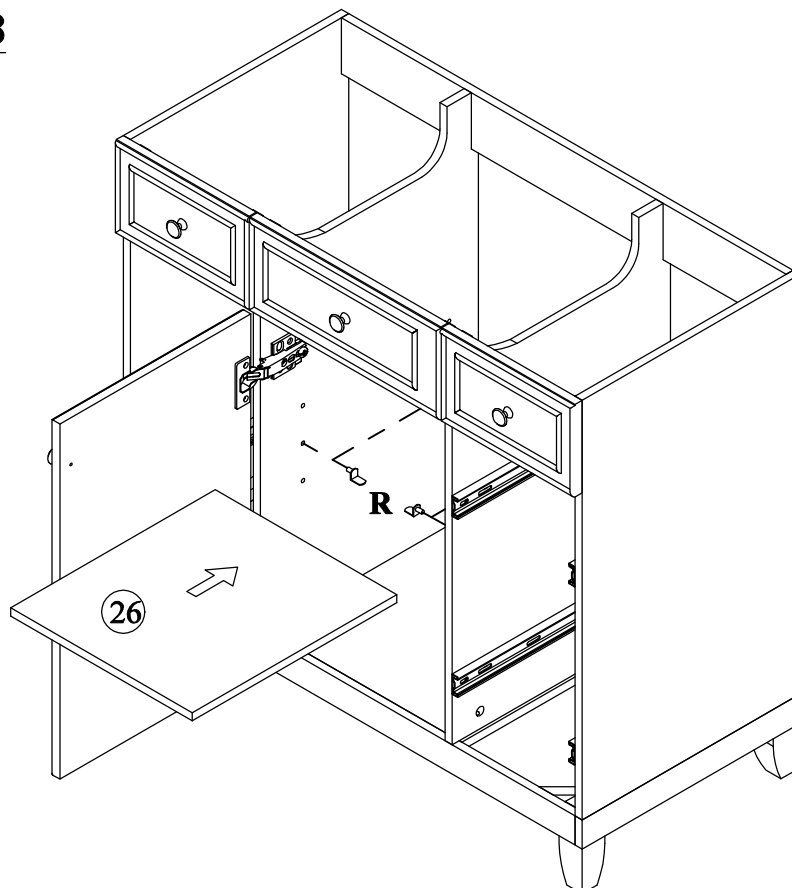
| | |
|---|---|
| H  | J  |
| 2PCS | 4PCS |



X2

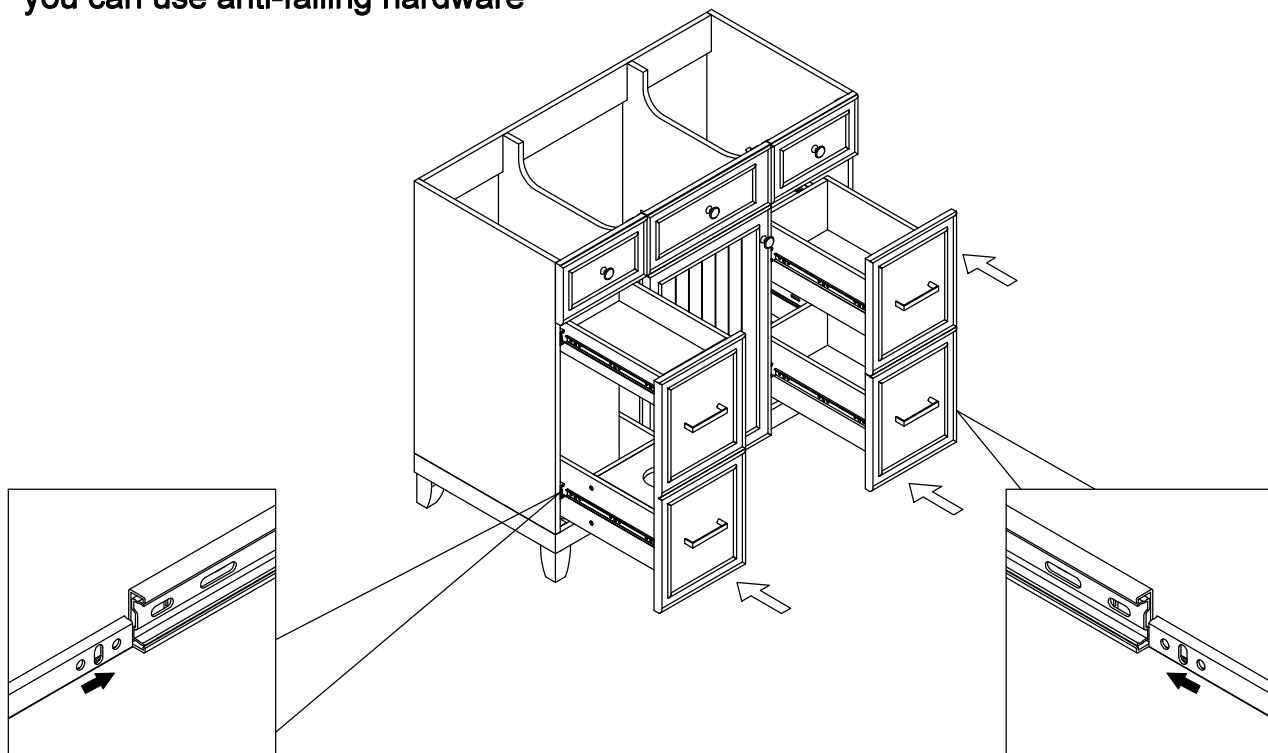
STEP: 18

| |
|---|
| R  |
| 4PCS |



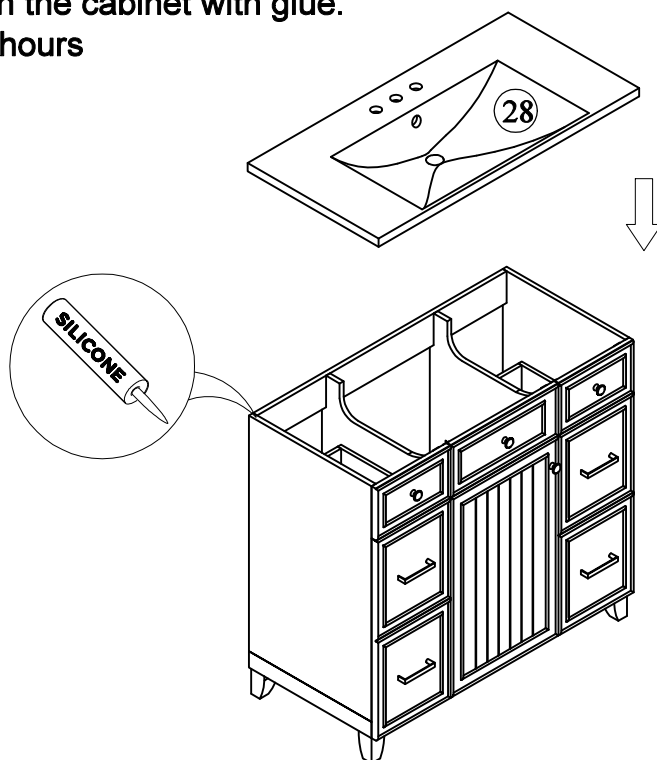
STEP: 19

The structure of the cabinet is quite stable, if you are not sure, you can use anti-falling hardware



STEP: 20

Install the sink on the cabinet with glue.
Let stand for 24 hours



STEP: 21

