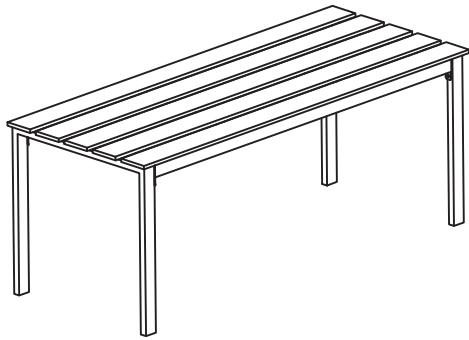
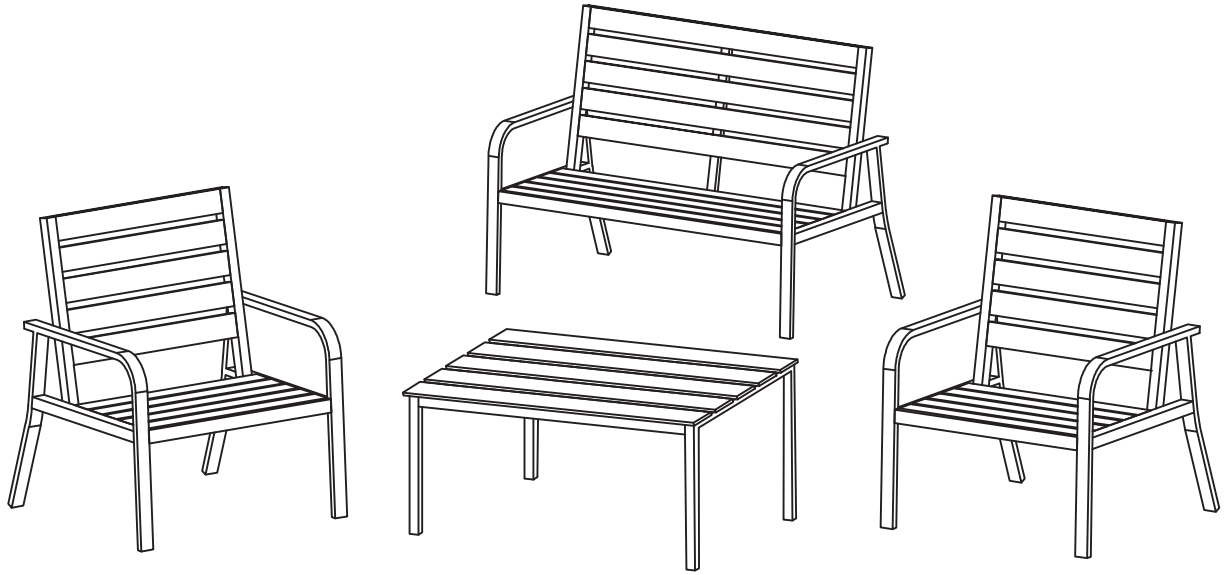
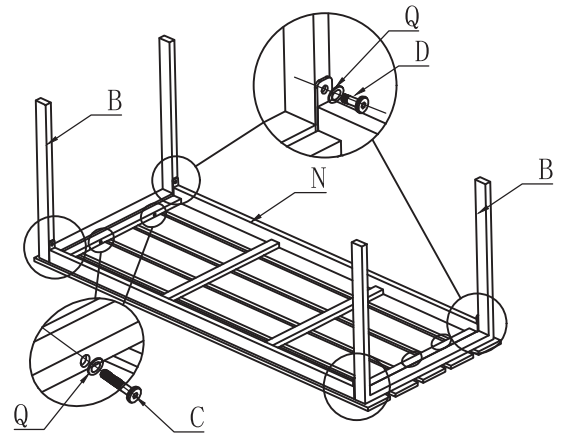


# ASSEMBLE MANUAL

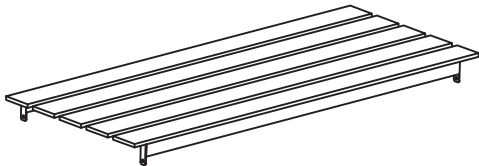
SKU: ELR8A0A501



①

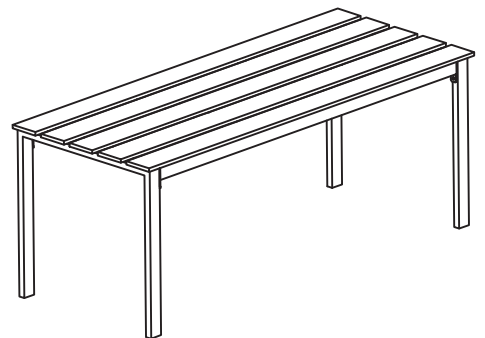


N

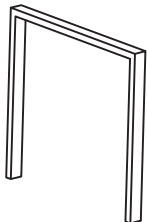


1PC

②



B



2PCS

J

M6\*40mm



4PCS

D

M6\*15mm



4PCS

E



1PC

Q



8PCS

