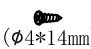

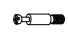
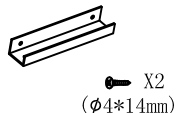






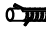

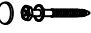

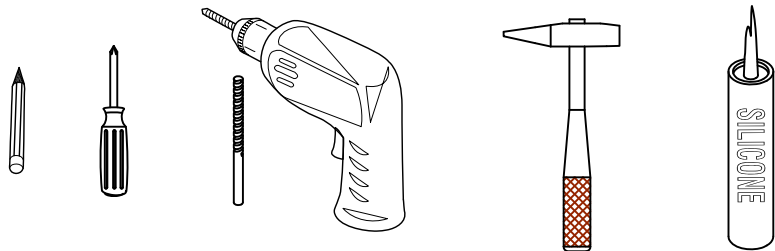


Item NO.:ELR952OK01

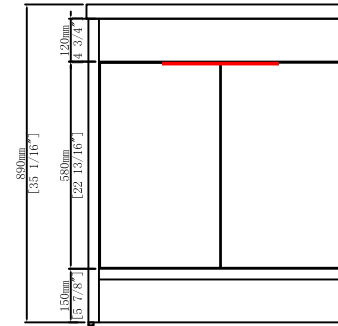
Hardware

NO.	Draw	QTY	NO.	Draw	QTY
A	 (Ø4*14mm)	48	I		3
B		28	K	 X2 (Ø4*14mm)	2
C		28	L		4
D		4	N		4
E		2	O		4
F		2	P		2
G		2			
H		2			

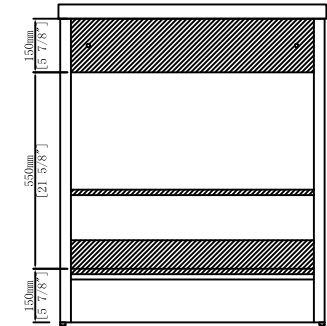
Recommended tools



Dimensions



Front View

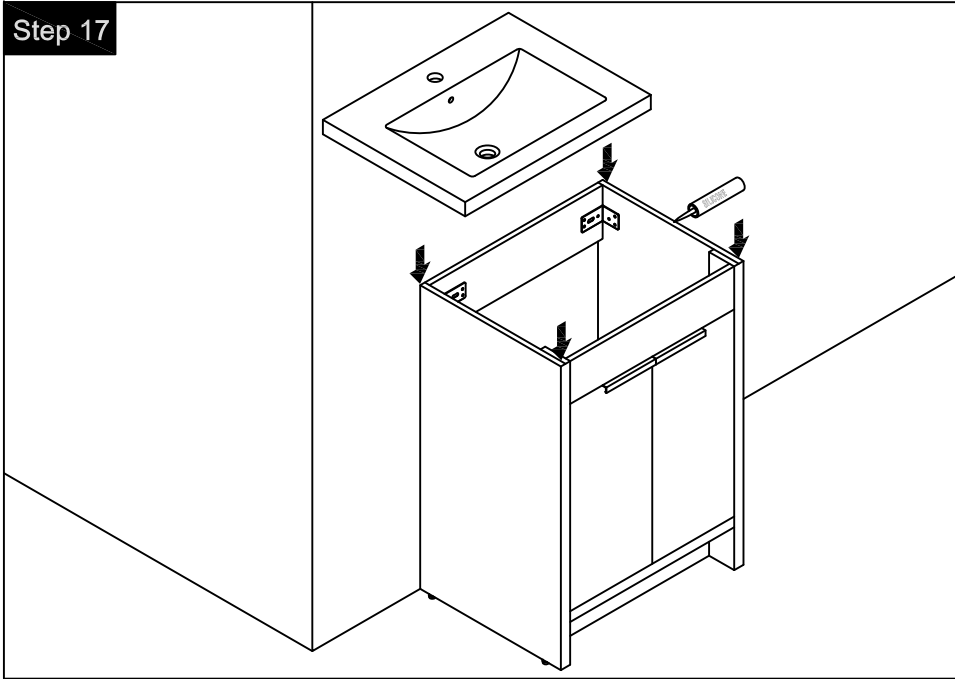


Back View

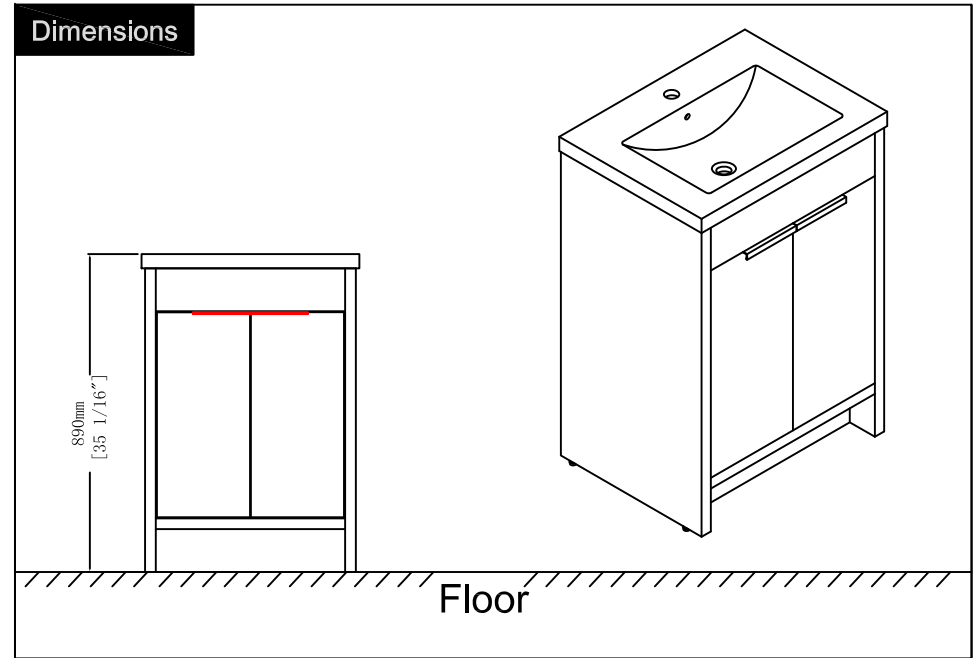
CARE CLEANING AND MAINTENANCE

- 1.Dust regularly with a soft , dry cloth.
- 2.Avoid the use of all chemicals household cleaners, abrasives, or cleaners that contain lemon, vinegar, or other acids that may damage the finish.
- 3.Excessive exposure to sunlight and extreme changes in temperature and moisture can damage wood furniture.
- 4.The sink top is resilient, but care needs to be taken to preserve its appearance.
- 5.Do not place hot appliances, such as curling irons and hot hair dryers directly on the countertop. Wipe spills immediately.

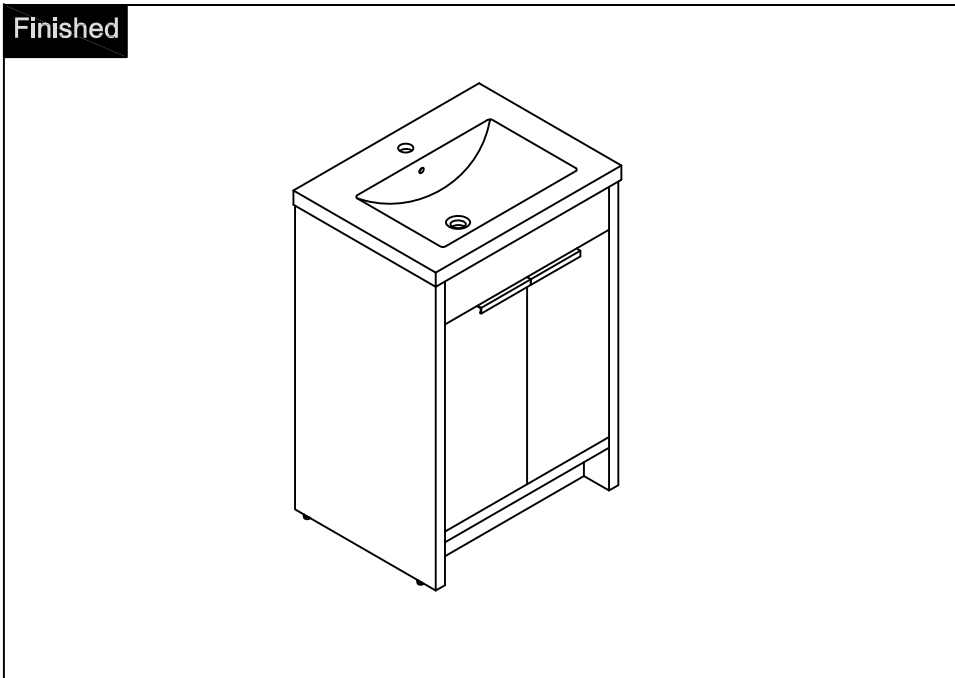
Step 17



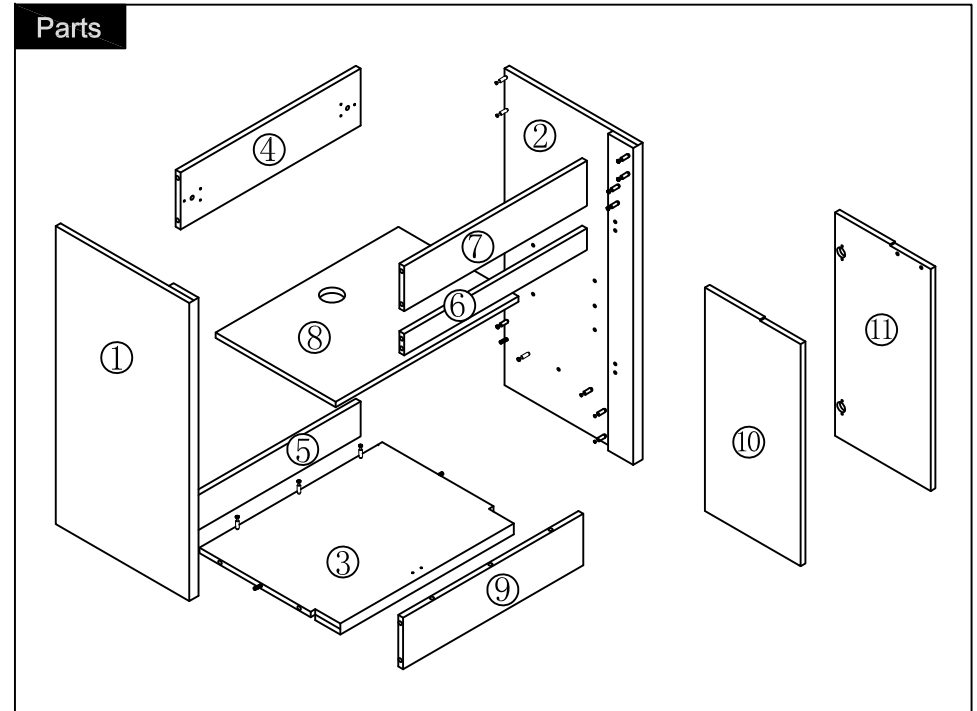
Dimensions

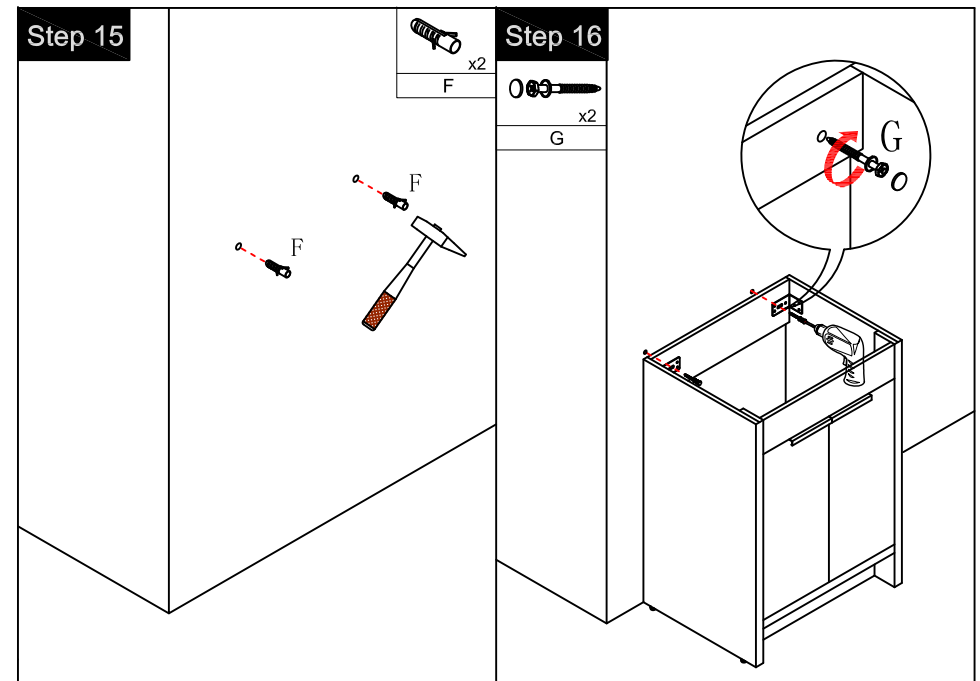
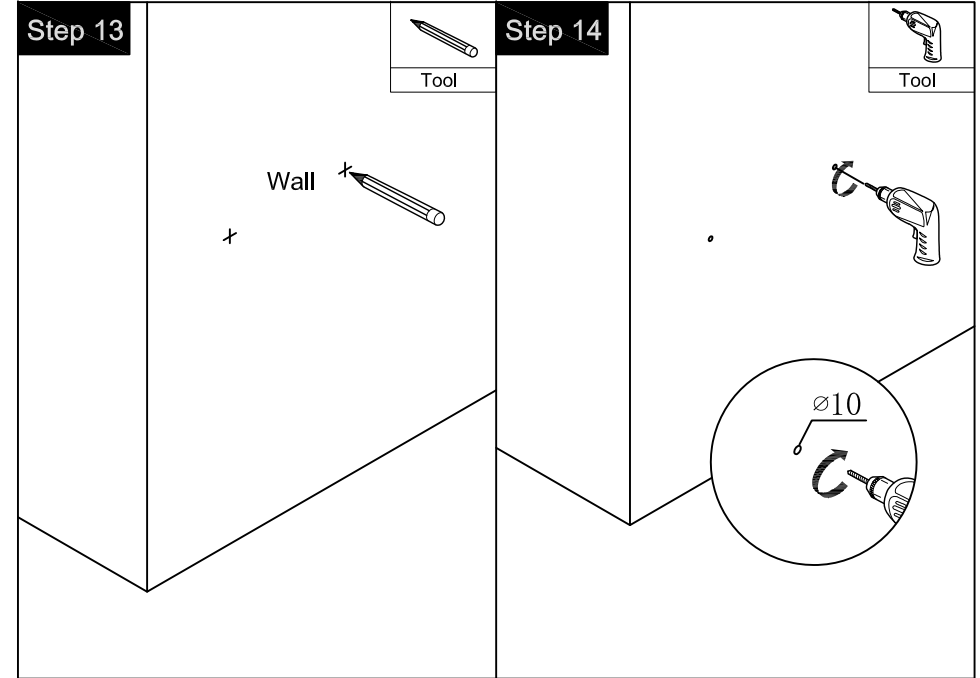
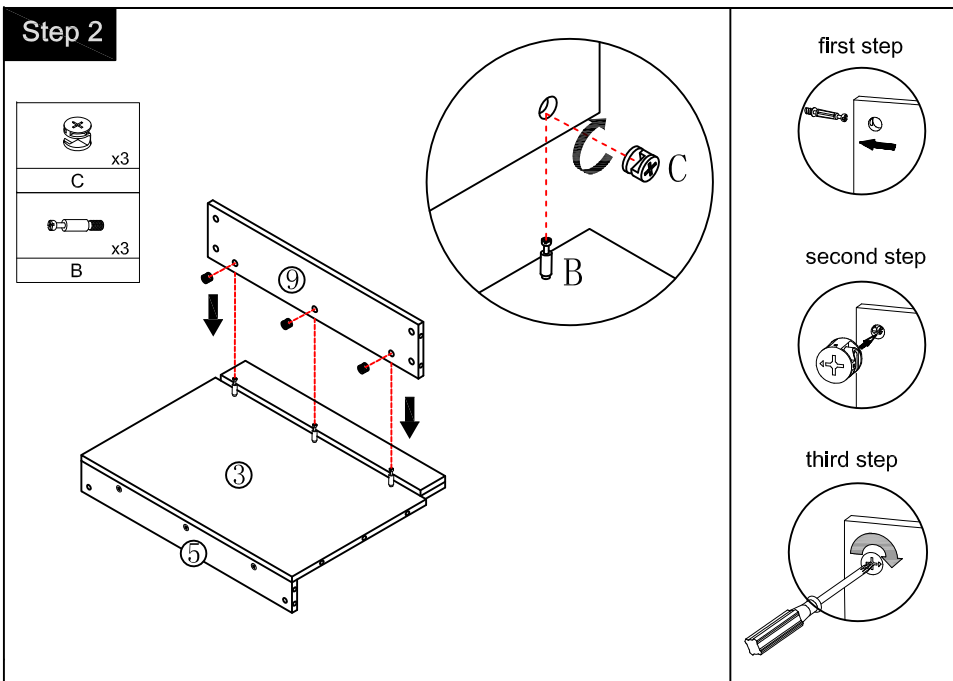
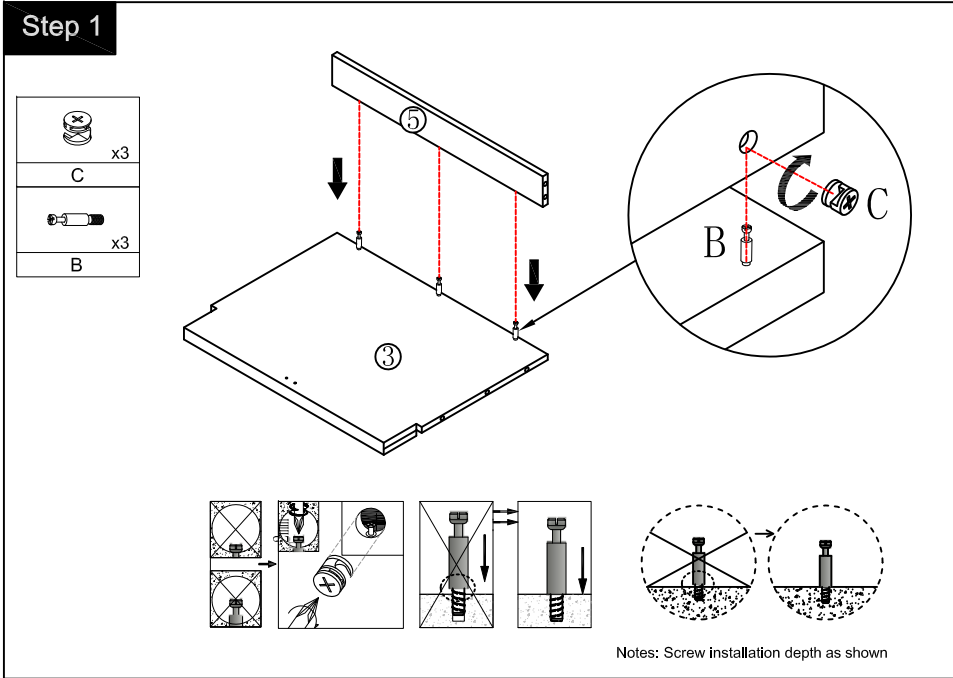


Finished





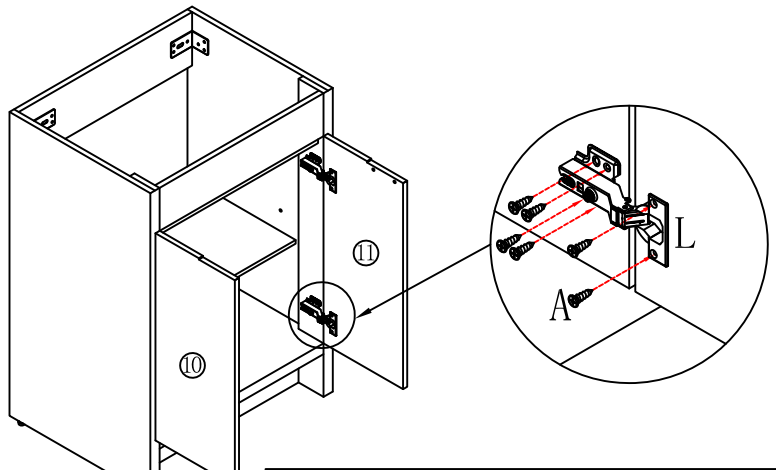
Parts



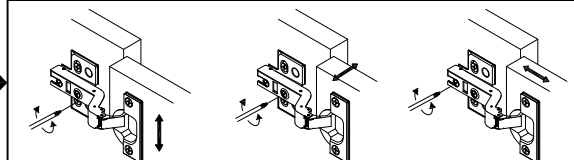


### Step 11

	x4
L (Ø4 x 14mm)	
	x24
A	

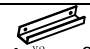
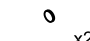


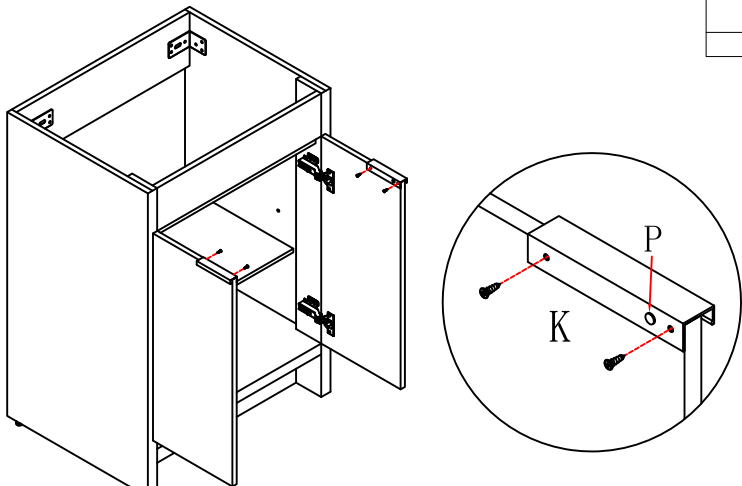
You can adjust the doors by tightening or loosening the screws on the hinge.




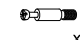

### Step 12

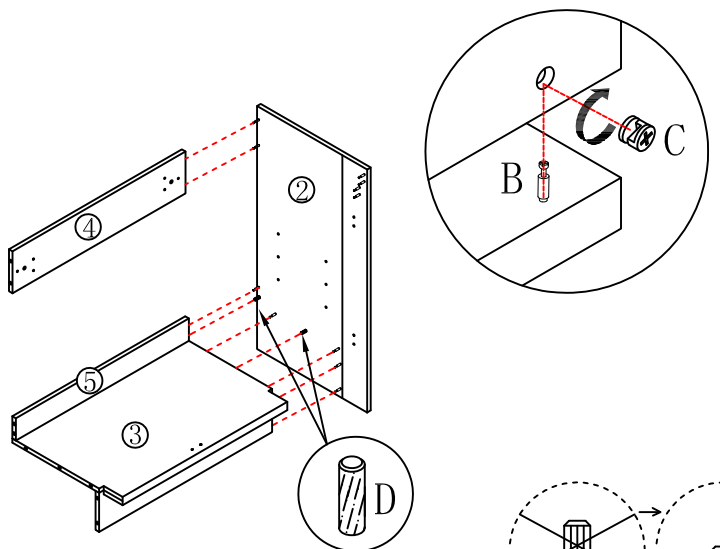
Congratulations!  
Completing the step,  
the cabinet base has been assembled

	x2
K	
	x2
P	

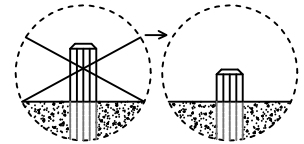


### Step 3



	x7
C	
	x7
B	
	x2
D	

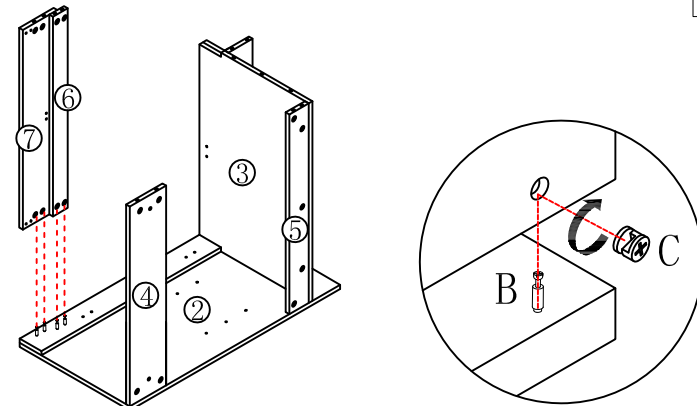


Note: The D parts are used for these two holes

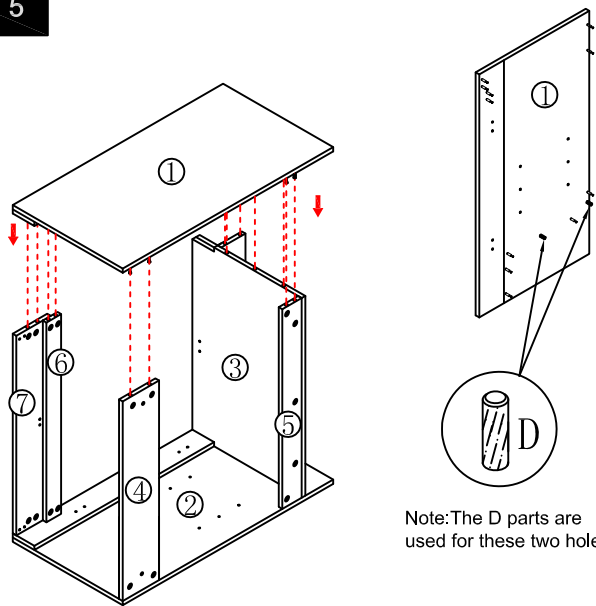


### Step 4


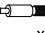

	x4
C	
	x4
B	



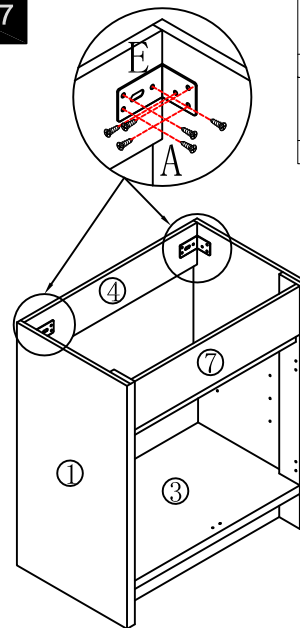
### Step 5





Note: The D parts are used for these two holes

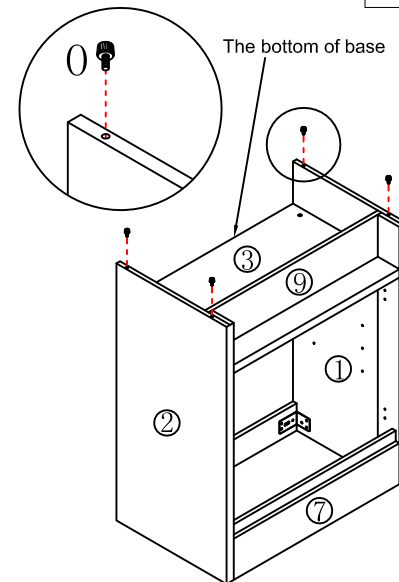
	x11
C	
	x11
B	
	x2
D	

### Step 7



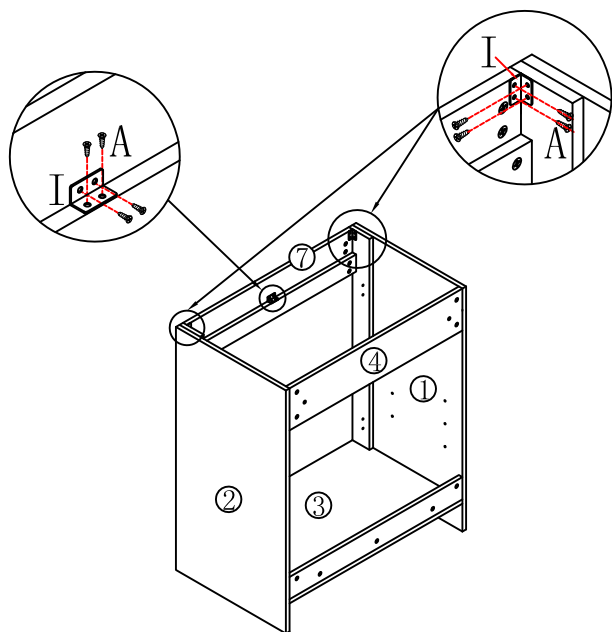
	x2
E	
(∅4 x 14mm)	
	x12
A	



### Step 8



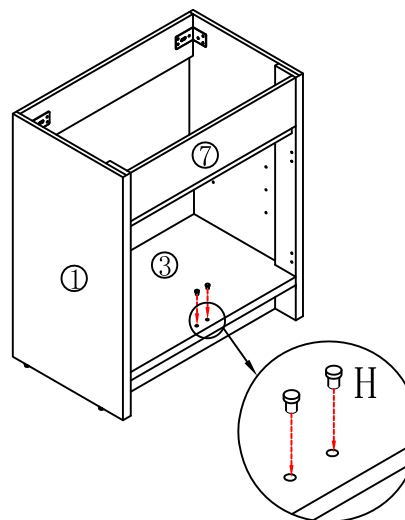
	x4
O	

### Step 6



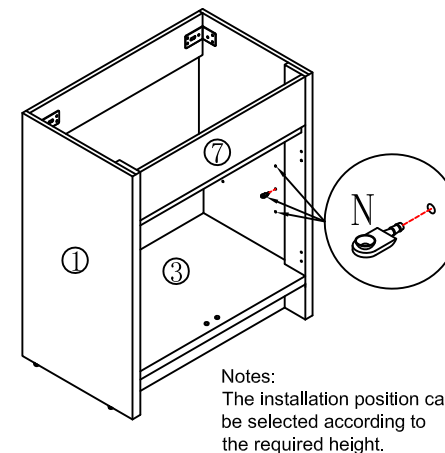
	x3
I	
(∅4 x 14mm)	
	x12
A	

### Step 9



	x2
H	

### Step 10



	x4
N	

Notes:  
The installation position can be selected according to the required height.