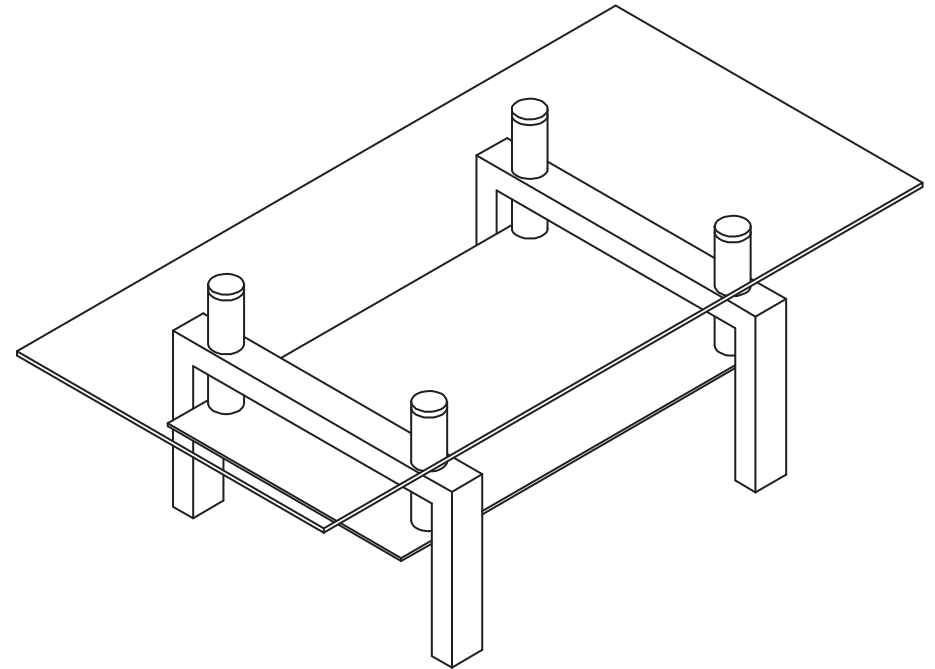


# ELRD3Z7701

## Important


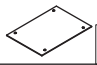




Please inspect all items carefully before assembling.  
 If for any reason you need to return this item, you must return it in its original packaging.  
**Assembled items can not be returned.**

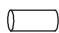
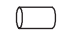





### COMPONENTS LIST

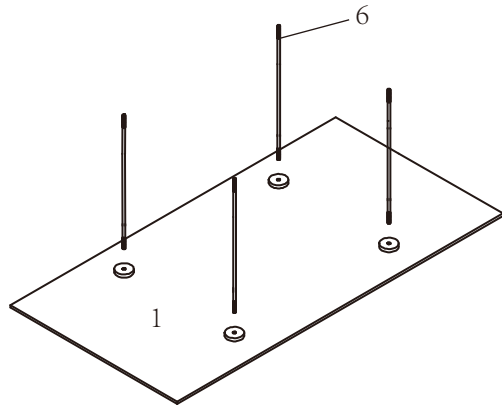
#### Important Note:



- \*Place all parts on a clean and smooth surface such as a rug or carpet to avoid the parts from being scratched.
- \*Kindly follow the assembly instruction step by step.
- \*Don't tighten all screws until the table is fully set-up.

1	Top Glass		x1
2	Mid+Bot Glass		x1
3	Tube#1		x2
A	Plastic washer		x4
B	Metal washer		x4
C	Nut		x4

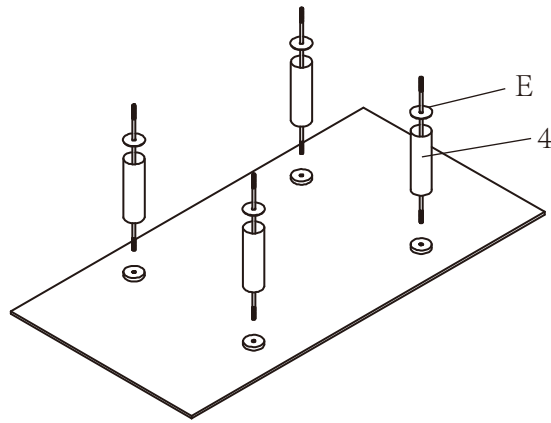
4	Tube#2		x4
5	Tube#3		x4
6	Bolt		x4
D	Allen Key		x1
E	Plastic Spacer		x12



1



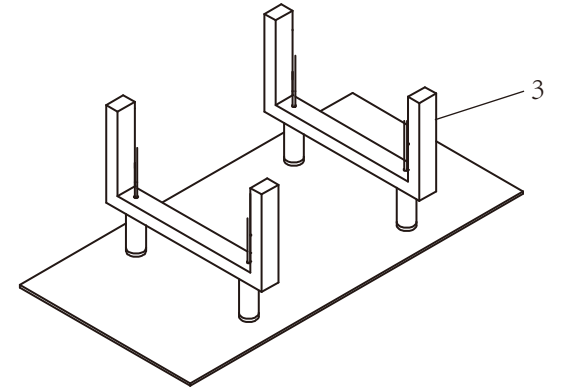
1	Top Glass		x1
6	Bolt		x4


2



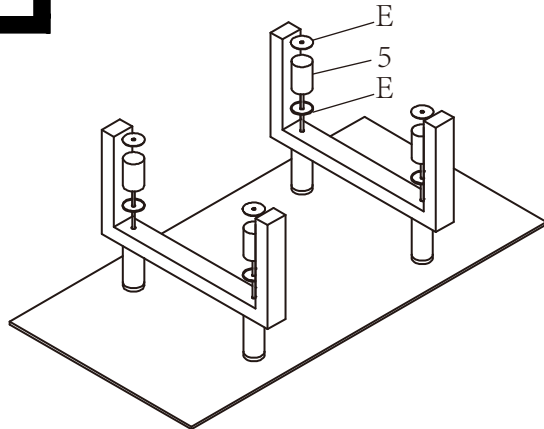
4	Tube#2		x4
E	Plastic Spacer		x4

3



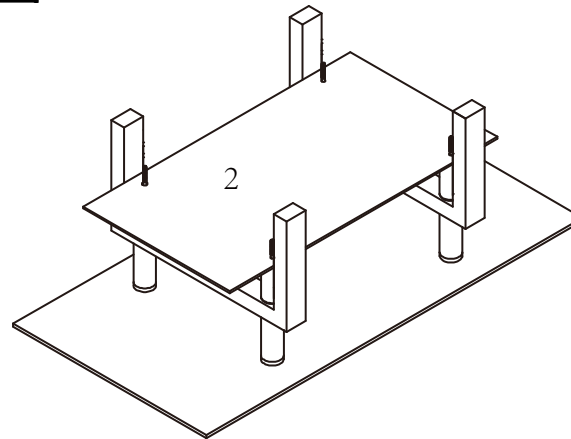
3	Tube#1		x2
---	--------	---	----

4



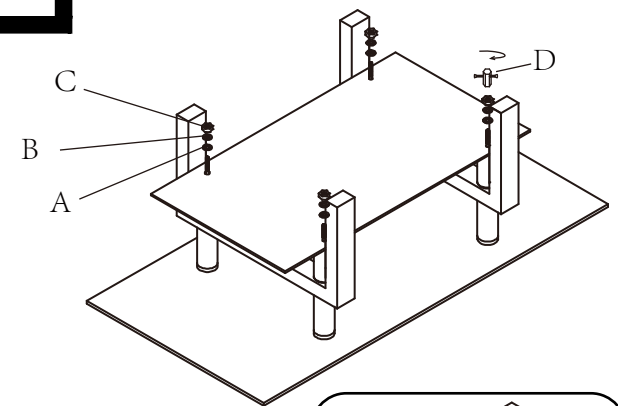
5	Tube#3		x4
E	Plastic Spacer		x8





5



2	Mid+Bot Glass		x1
---	---------------	---	----

6



A	Plastic washer		x4
B	Metal washer		x4
C	Nut		x4
D	Allen Key		x1

