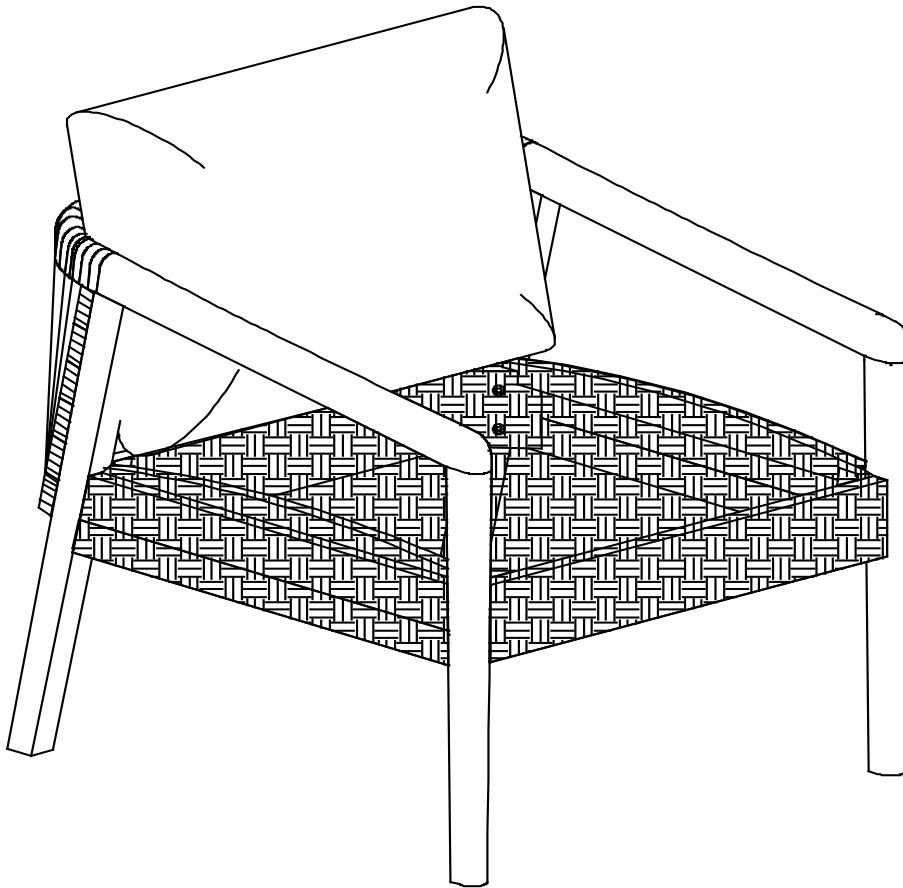


Assembly Instructions

CAUTION: You must read this Assembly Instructions before you proceed.

Please look in the **Seat Panel** for hardware packs.

Chair

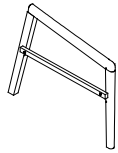
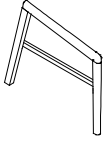
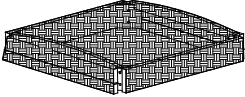
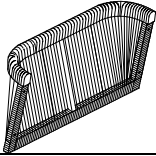
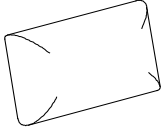


CAUTION: This Chair is NOT a TOY.






Keep your child / children at bay during the assembly process.

Whenever lifting or moving the Chair and to prevent any damage to it, two adults may be needed to execute these actions.

Part List

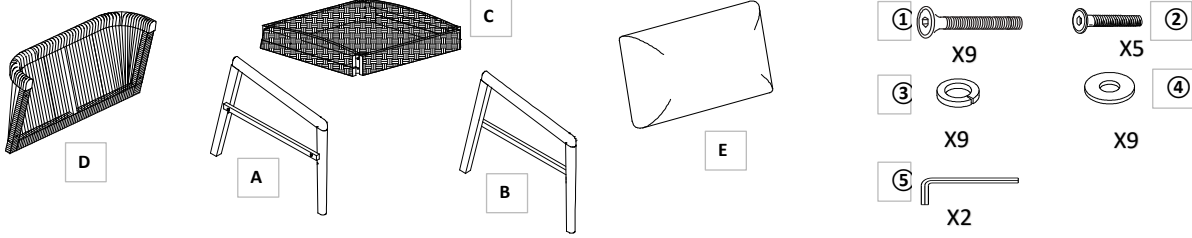
Label	Picture	Description	QTY
A		Left Leg Panel	1
B		Right Leg Panel	1
C		Seat Panel	1
D		Backrest Panel	1
E		Back Cushion	1

Hardware

Label	Picture	Description	QTY
①		Bolt (M8x70mm)	9
②		Bolt (M6x50mm)	5
③		Washer (M8.5/13x2mm)	9
④		Washer (M8.5/20x2mm)	9
⑤		Allen Wrench	2

Assembly Preparation

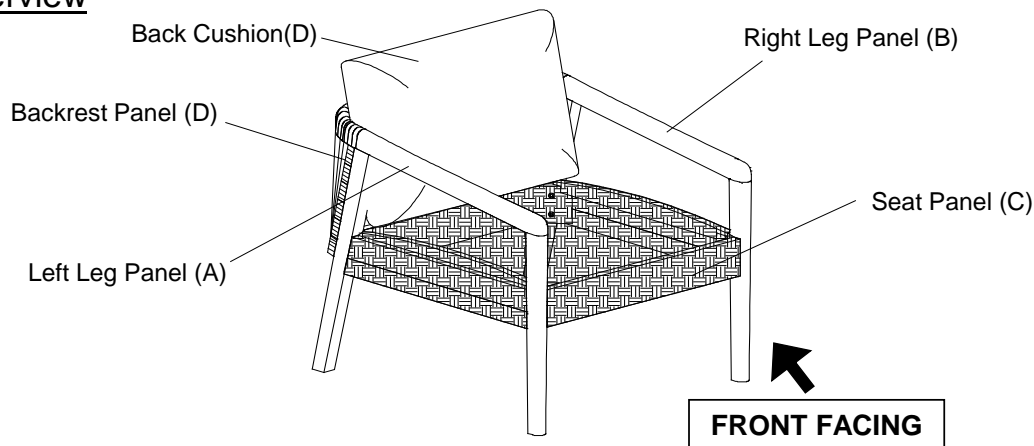
Before Beginning Assembly:



- Read instructions, cover to cover-
- Have 2 adults on hand for assembly-
- Do not assemble on flooring or carpet-
- Assemble on a clean non-marring surface (packing foam)-
- Save all packaging until finished-

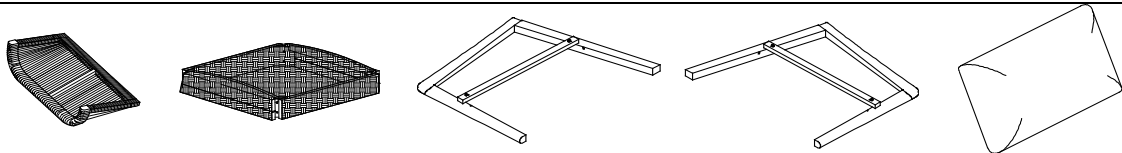
Assembly Steps

Overview



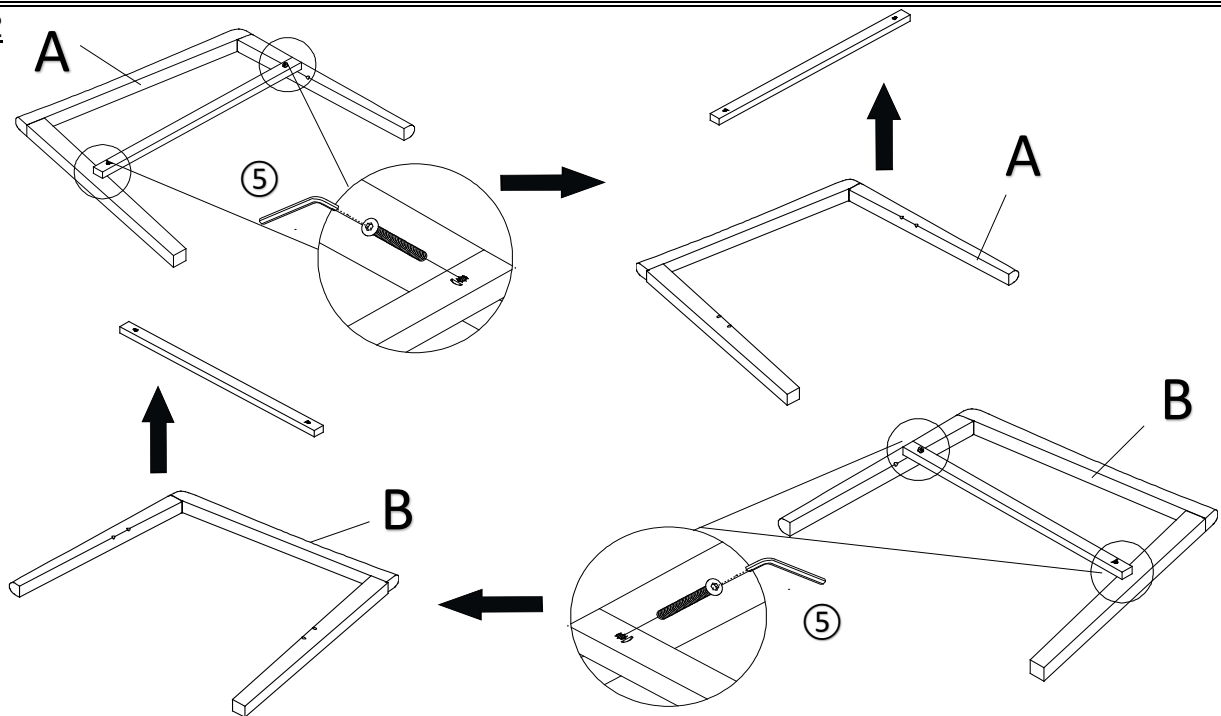
This Chair has multiple parts and may require up to 35 minutes to assemble. To give you an overview of the Chair parts, the above picture is provided to help you put the various parts into perspective. Please read through the instructions below to familiarise yourself with the parts and steps before assembly.

Step 1



Unpack and place all parts on a clean, non-marring surface.

Step 2



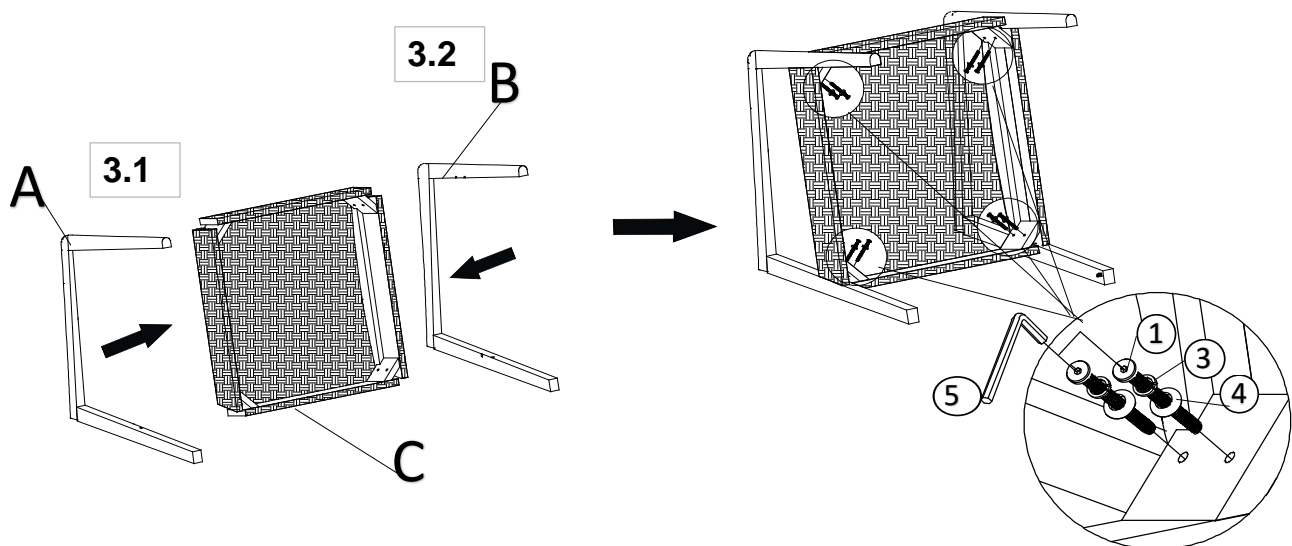
With assistance from your adult partner(s), place the Left Leg Panel (A) onto a clean, soft surface to avoid any scratches or damage to the product as the pictured above.

Before moving to the next steps, remove the support bar attached into the Left Leg Panel (A), using the Allen Wrench (5), turn out the Bolts.

Repeat the same process with the Right Leg Panel (B)

Please note that the Support Bar and Bolts ARE NOT supposed to be used during the assembly process. Please throw them away or recycle.

Step 3



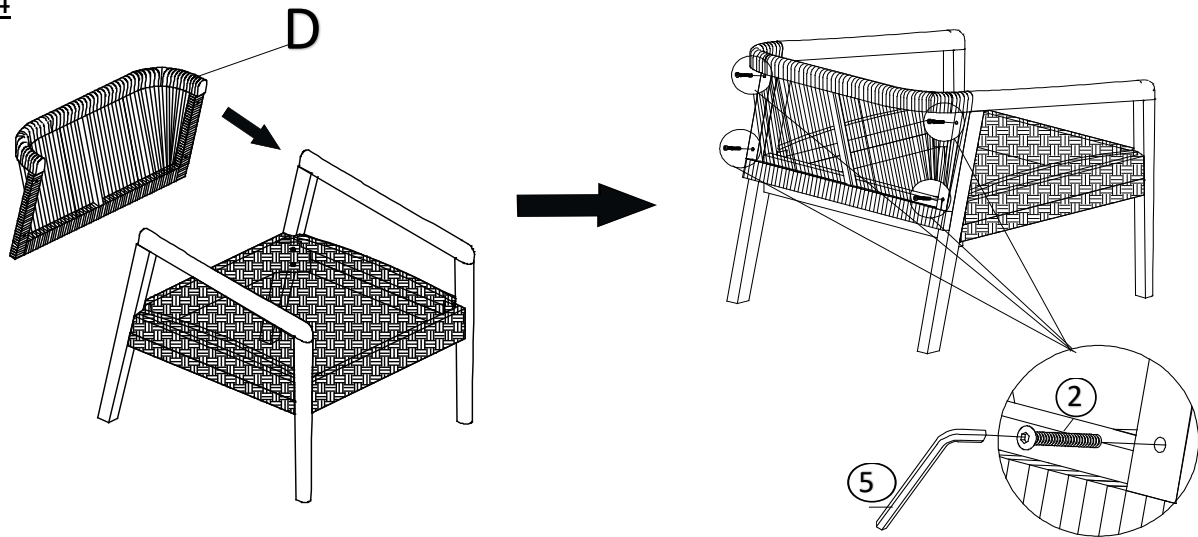
With assistance from your adult partner(s), place the Seat Panel (C) upright onto a clean, soft surface to avoid any scratches or damage to the product as pictured above.

Step 3.1 Attach the Left Leg Panel (A), to the Seat Panel (C) using Bolts (1), Washers (3), Washers (4) and the Allen Wrench (5) as pictured above.

Step 3.2 Repeat the same process with the Right Leg Panel (B)

DO NOT fully tighten the Bolts at this time.

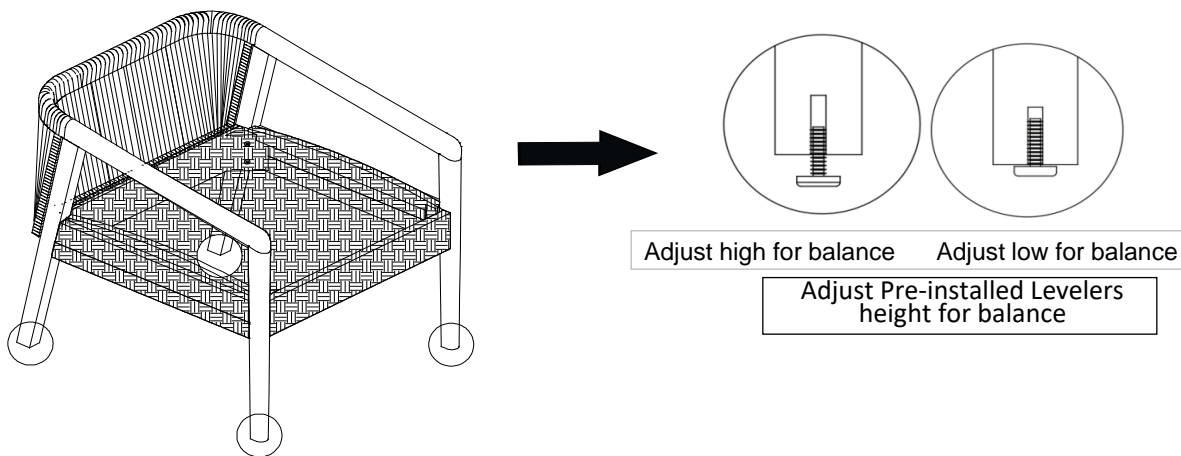
Step 4



With assistance from your adult partner(s), turn the assembled parts in Step 3 upright, then attach the Backrest Panel (D) to the assembled parts in Step 3, using Bolts (②), and the Allen Wrench (⑤) as pictured above.

DO NOT fully tighten the Bolts at this time.

Step 5



Inspect the Chair and make sure all parts are adequately connected.

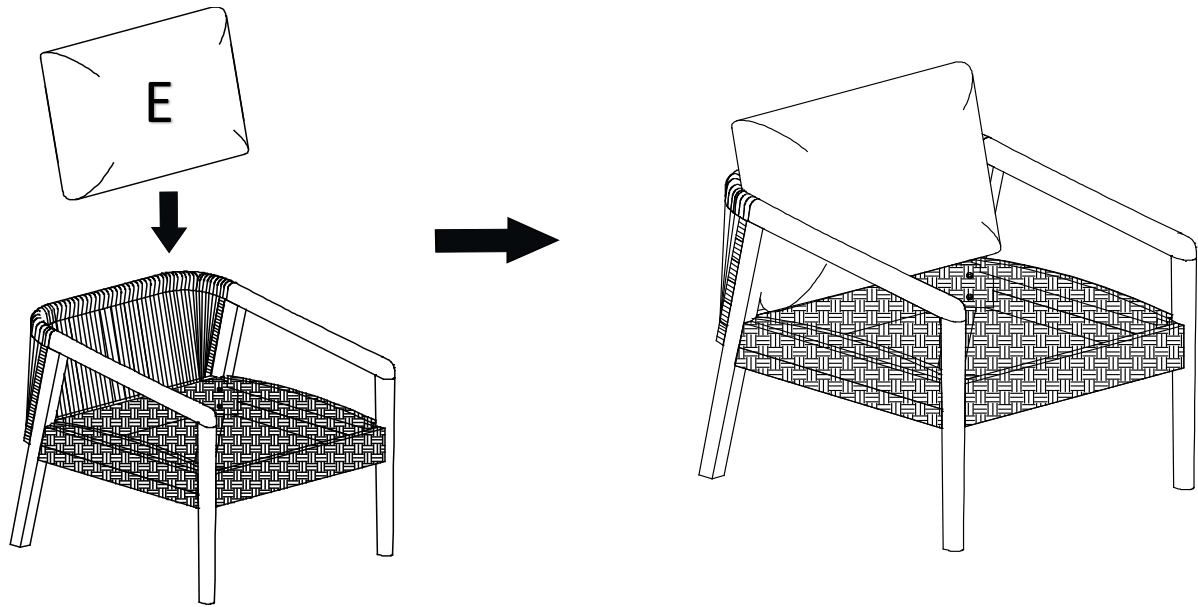
In a sequential manner, tighten all Bolts at all joints.

CAUTION : When tightening these bolts, tighten sequentially.

DO NOT tighten any bolts fully and then move towards the next one. This could cause the frame to warp.

WARNING!! IF THE CHAIR IS NOT STABLE , IT COULD LEAD TO DAMAGING THE PRODUCT.

Step 6























Place the Back Cushion (E) into the Chair.

Your Chair is ready to be used.

This Chair can only be used on a flat, level surface.

Care & Maintenance

-   ● Do not put hot items directly on furniture surface
-   ● Do not clean furniture with harsh cleansers or polish.
-   ● To obtain the longest lifespan of your outdoor products, minimizing exposure to direct sunlight is recommended.
-   ● Children should not climb or jump on the furniture.
-   ● Do not write on furniture without a padded barrier to protect the surface.
-   ● To obtain the longest lifespan of your outdoor products, avoid extended and lengthy exposure to rain, snow, and direct sunshine. Whenever possible cover the product and /or place under patio or awnings.
-   ● Not for commercial use. For residential use only .
-   ● Stains may be removed with mild soap solution and damp cloth.
-   ● Keep away from sources of ignition.
-   ● Dust and pick-up spills using a clean, non-colored, lint-free cloth.