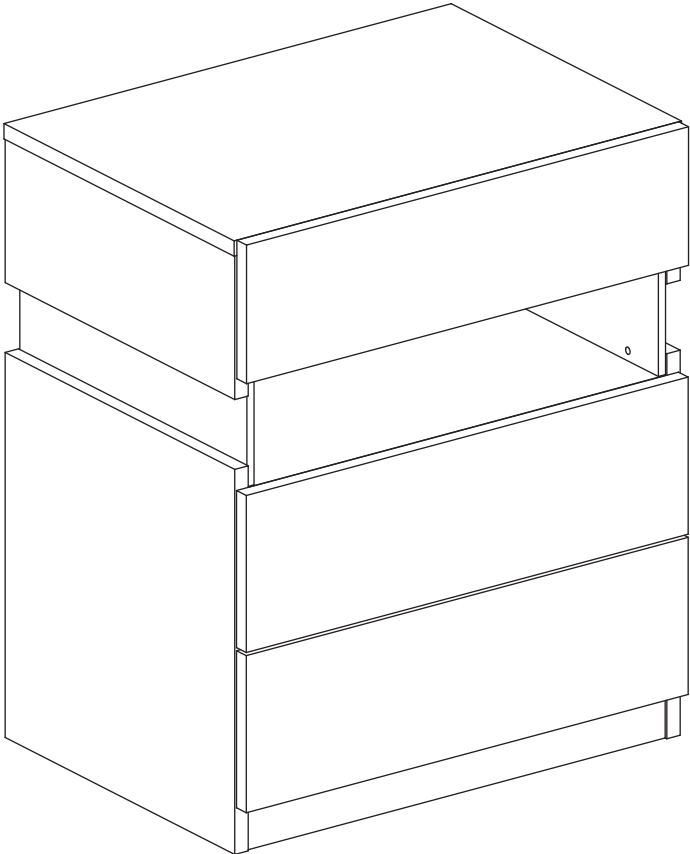
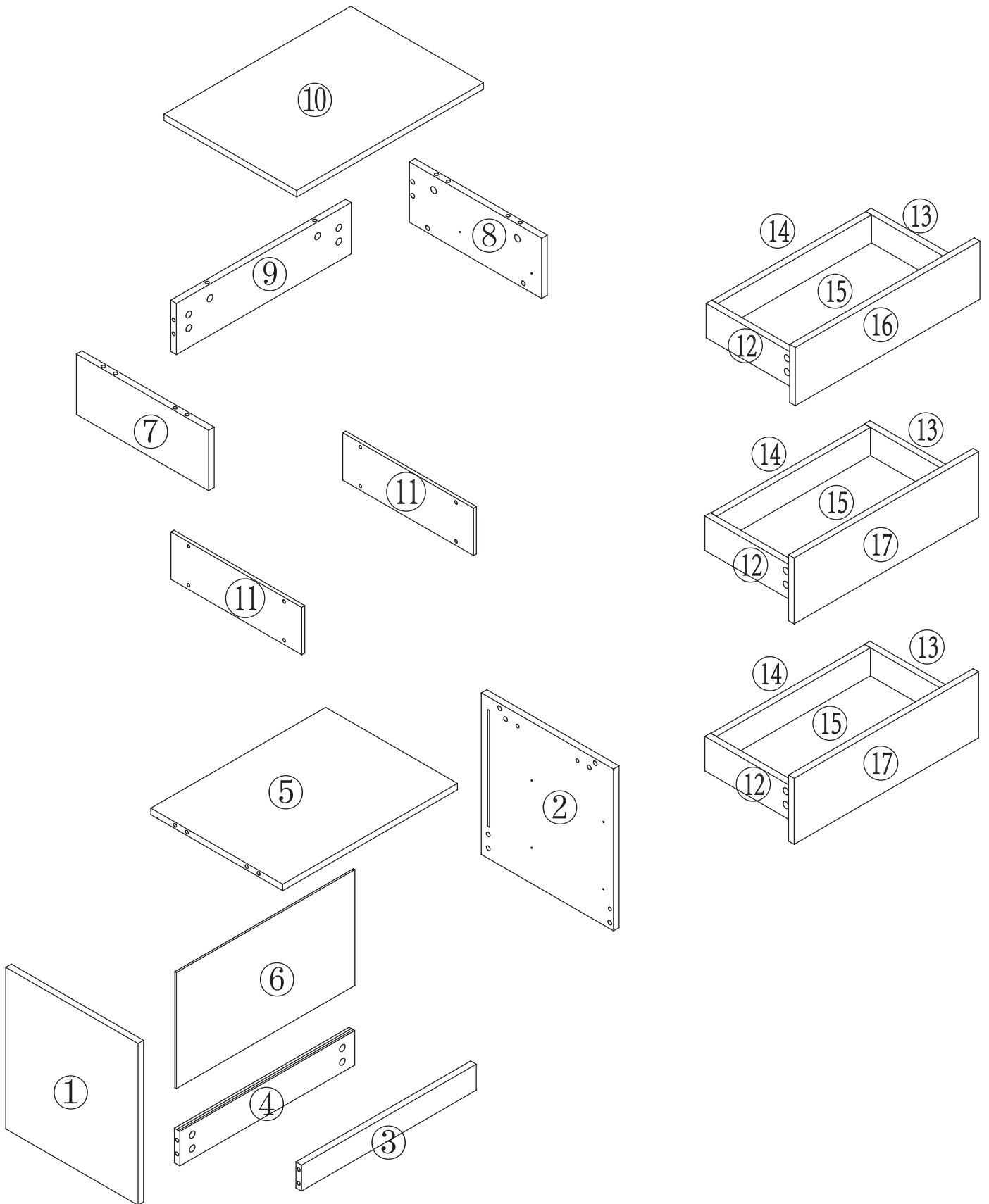


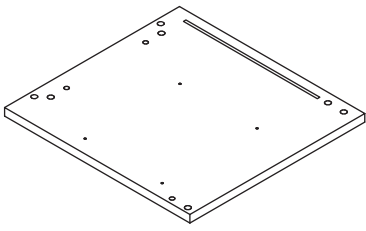
INSTRUCTION MANUAL



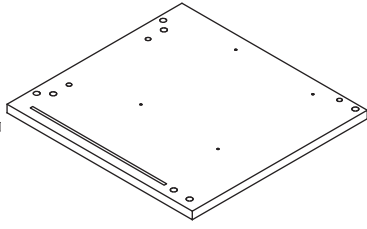
BOARD IDENTIFICATION



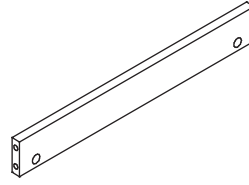
PARTS LIST



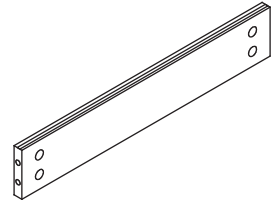
① X1



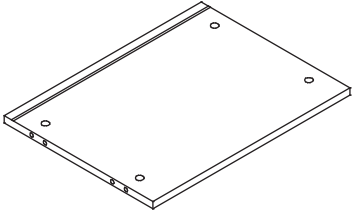
② X1



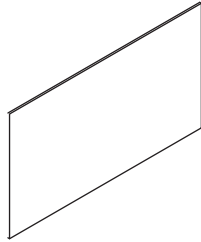
③ X1



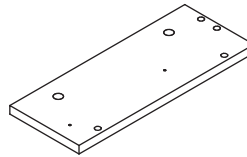
④ X1



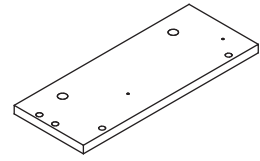
⑤ X1



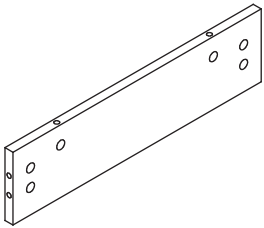
⑥ X1



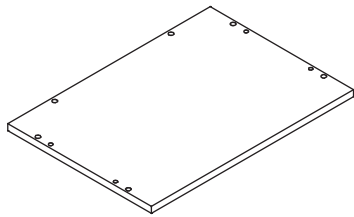
⑦ X1



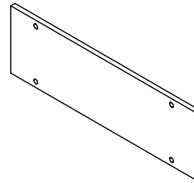
⑧ X1



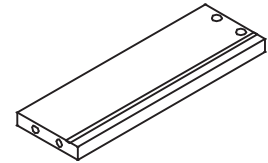
⑨ X1



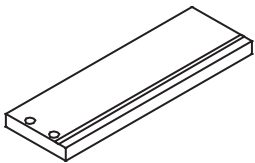
⑩ X1



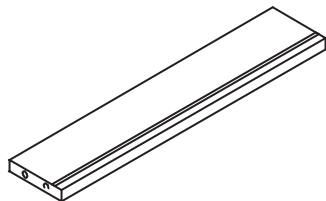
⑪ X2



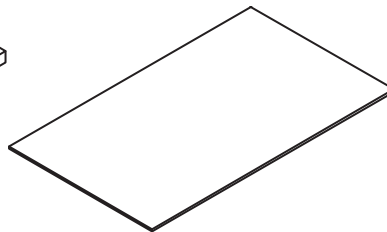
⑫ X3



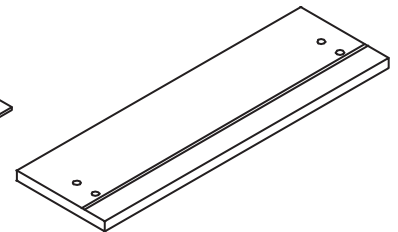
⑬ X3



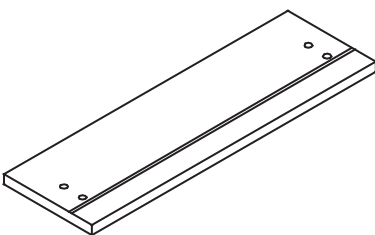
⑭ X3



⑮ X3

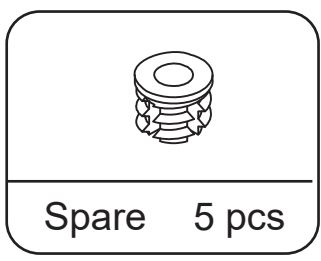
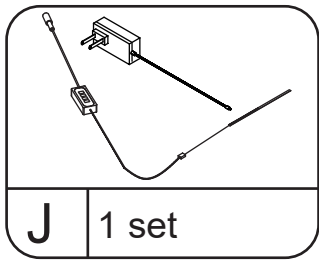
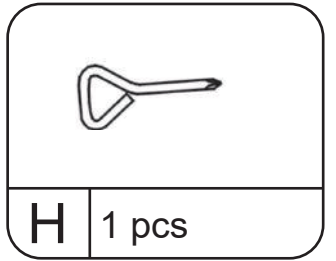
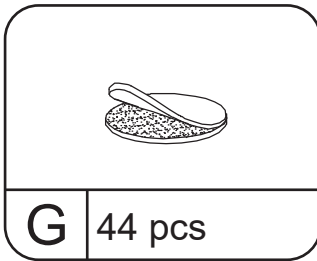
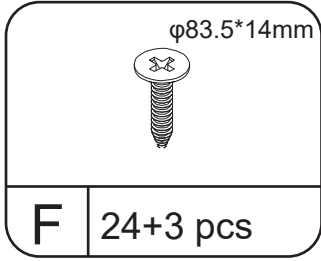
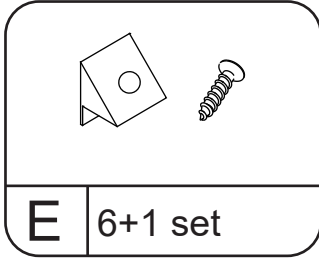
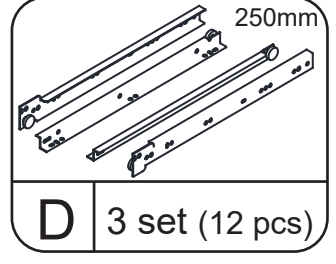
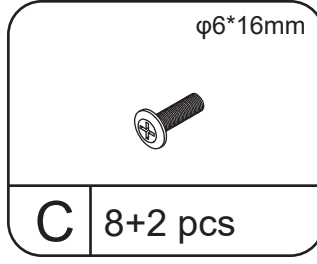
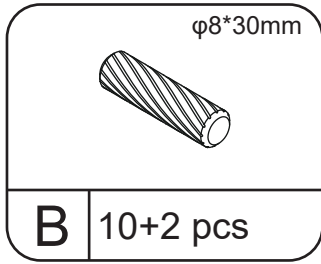
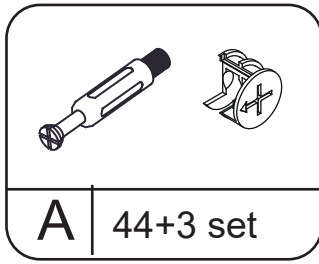


⑯ X1

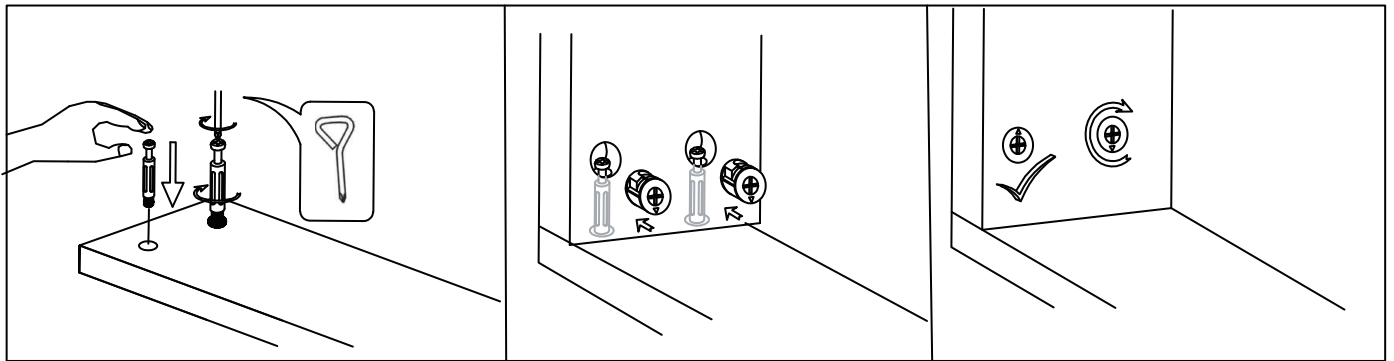


⑰ X2

HARDWARE LIST



If the nut is missing from the panel,
use a hammer to drive in the spare nut

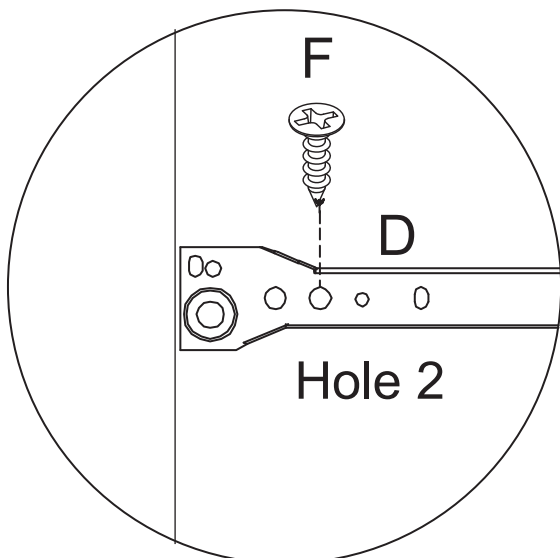
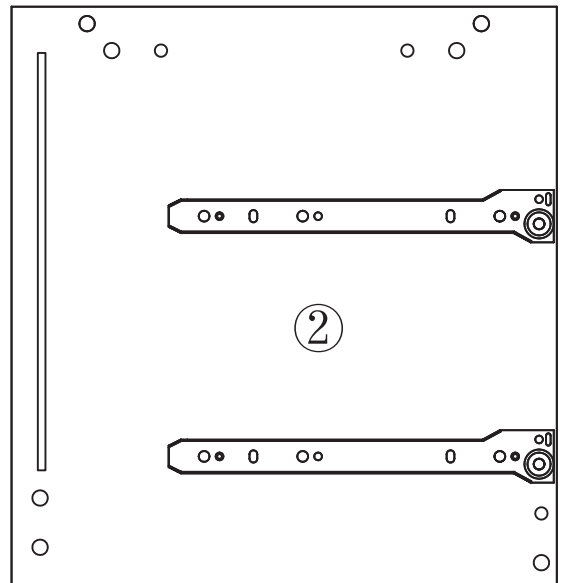
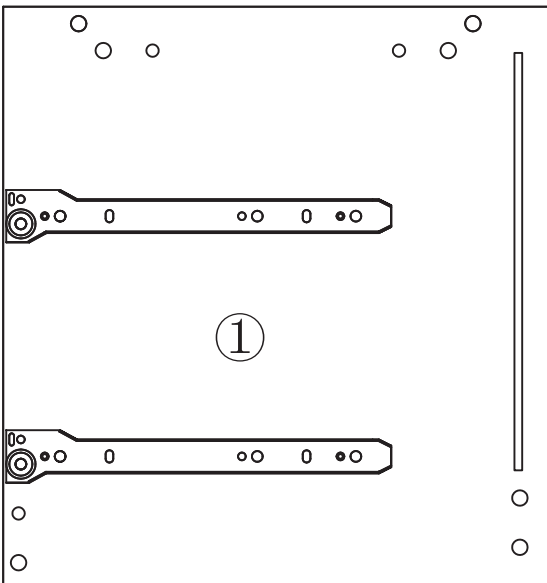
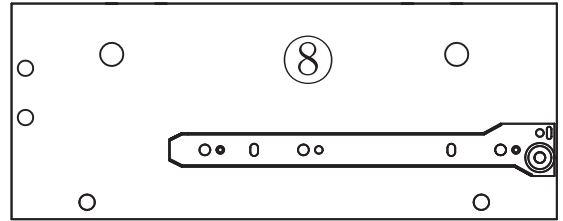
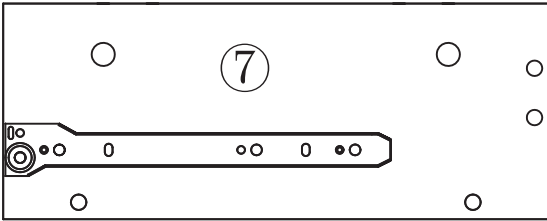


Attention :

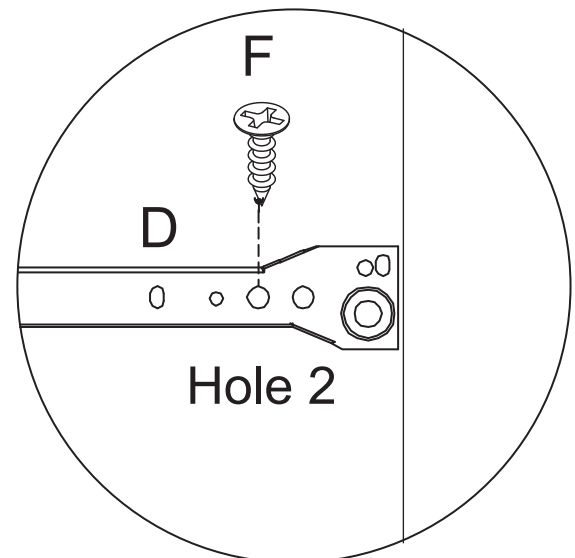
1. Please place the product on the carpet or carton to assemble to avoid scratching the floor;
2. During the installation process, keep away from children and pets, and avoid accidentally swallowing spare parts;
3. It is recommended to use a low-speed electric drill for installation.

INSTRUCTION MANUAL

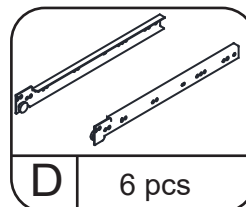
Step 1



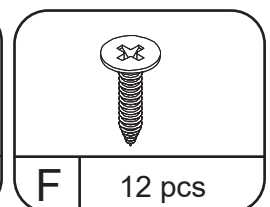
Outer rail



Outer rail



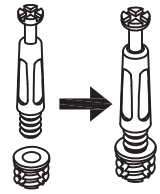
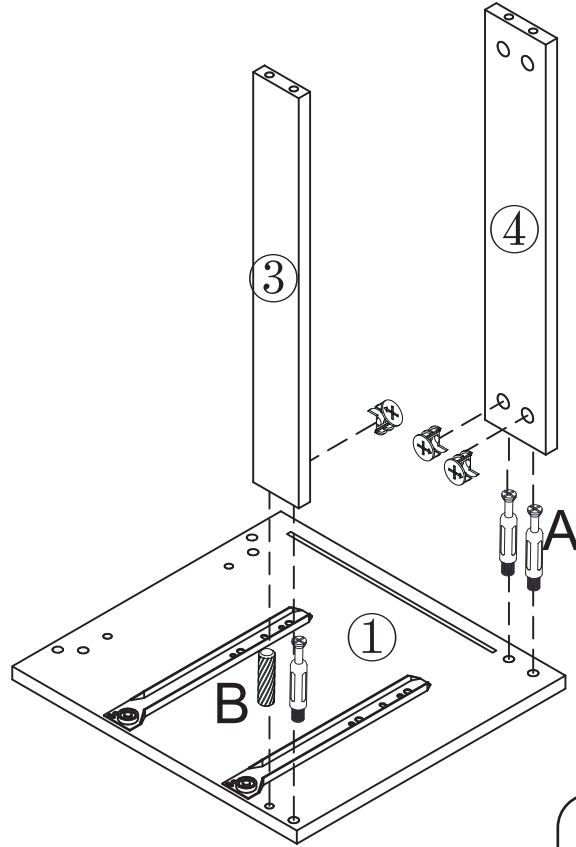
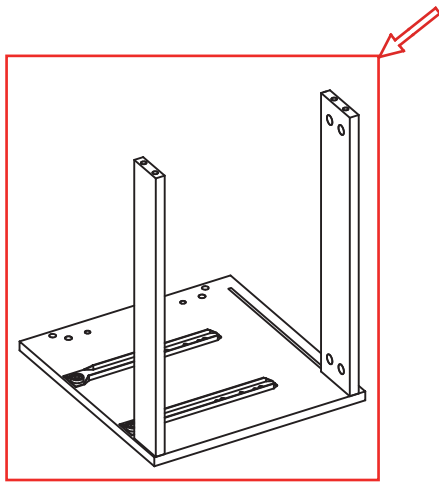
D 6 pcs



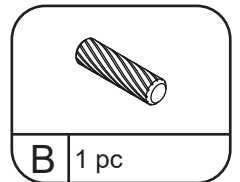
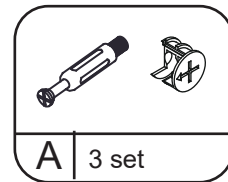
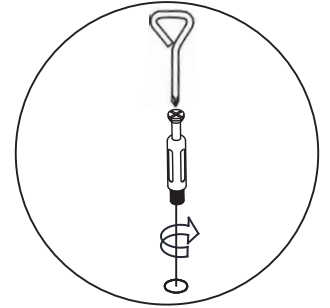
F 12 pcs

INSTRUCTION MANUAL

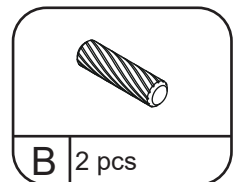
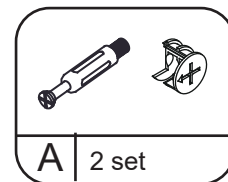
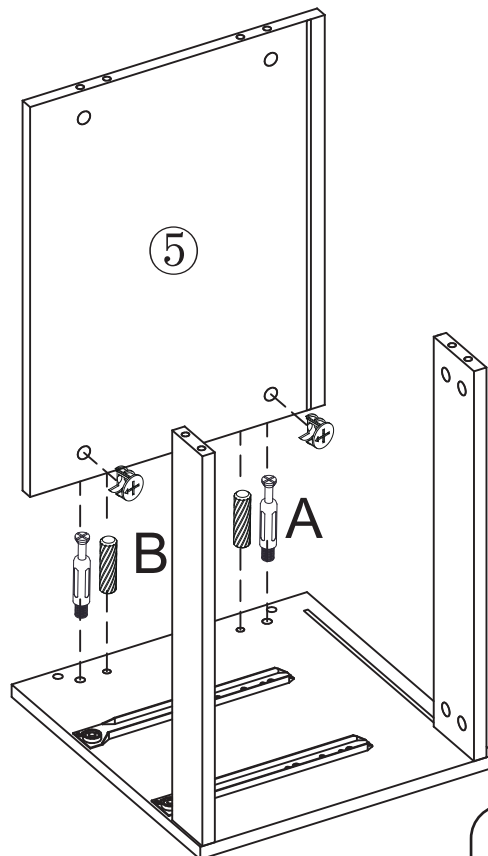
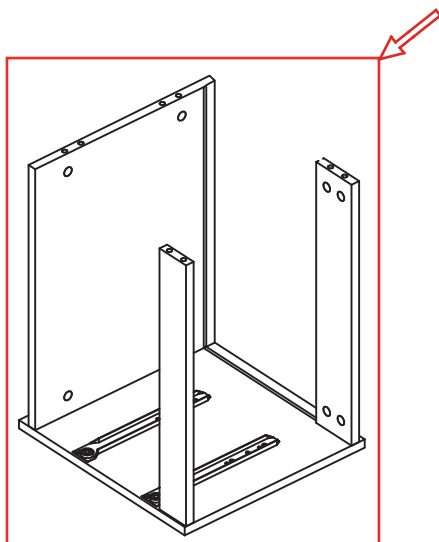
Step 2



(Attention: Cam bolt & Insert nut need to be put together)

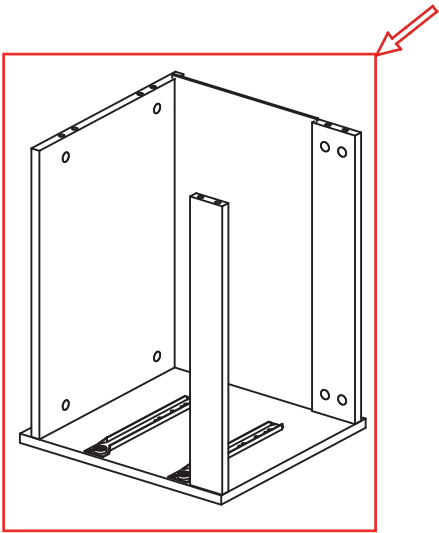
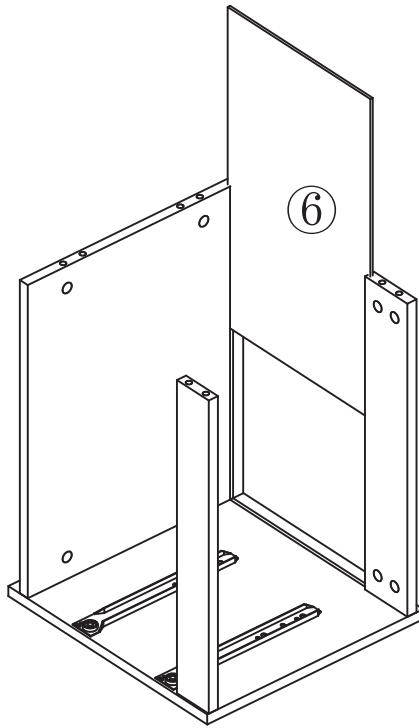


Step 3

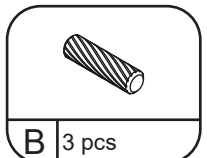
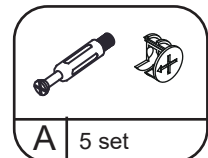
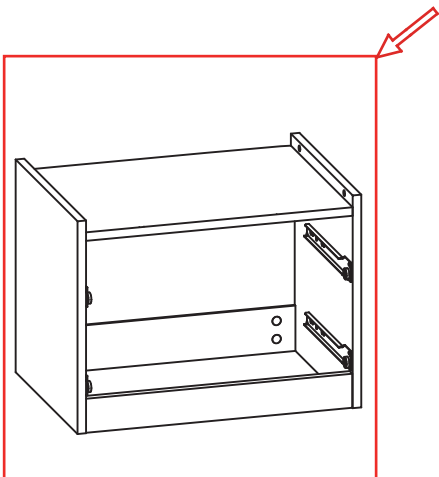
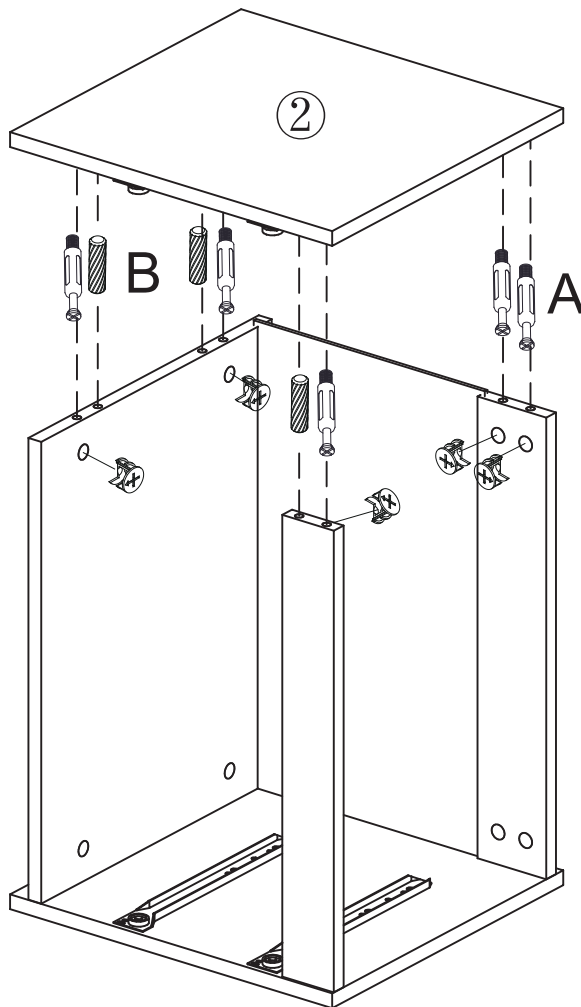


INSTRUCTION MANUAL

Step 4

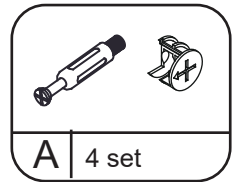
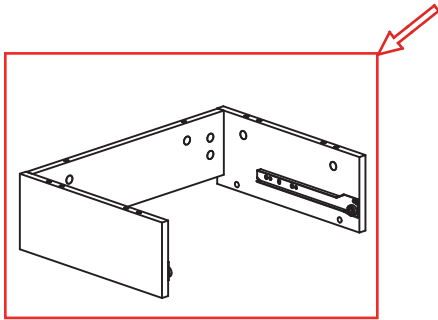
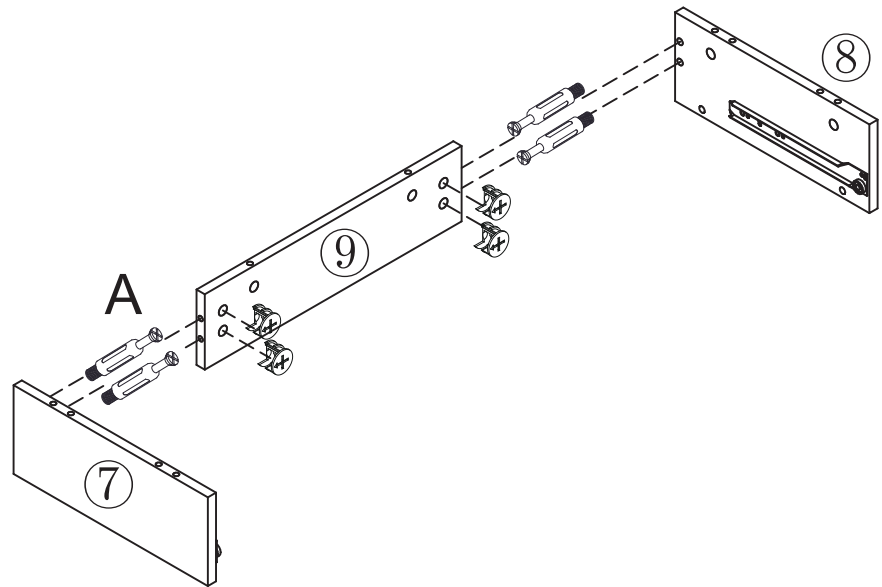


Step 5

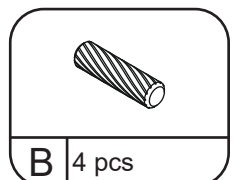
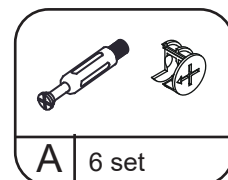
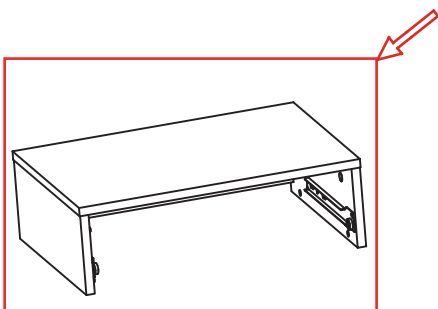
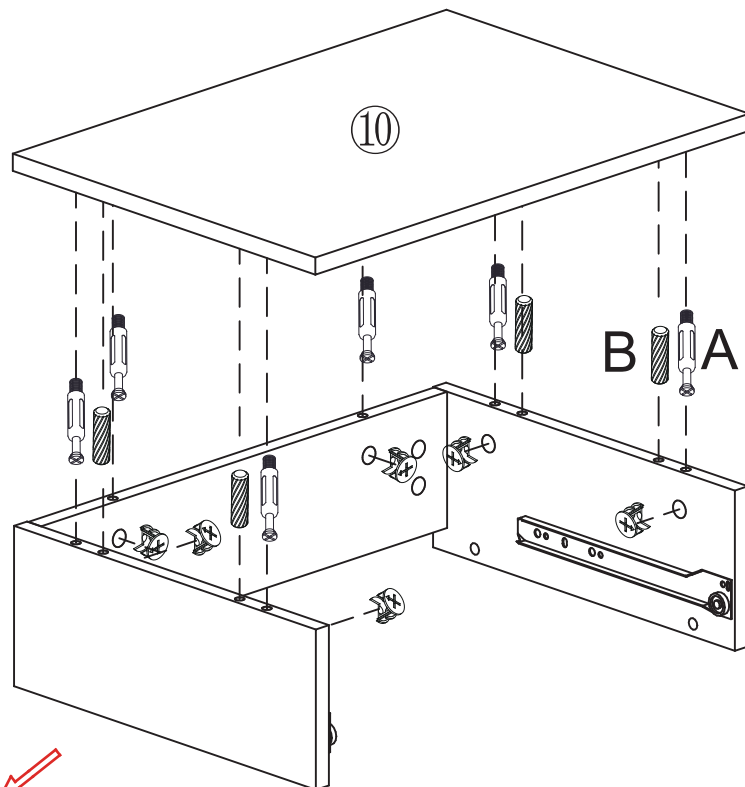


INSTRUCTION MANUAL

Step 6



Step 7

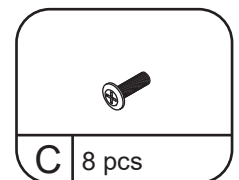
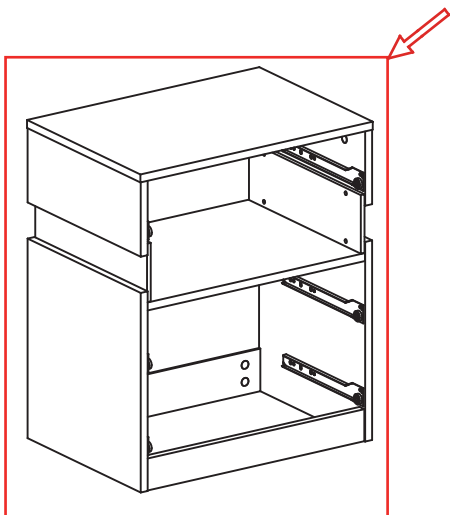
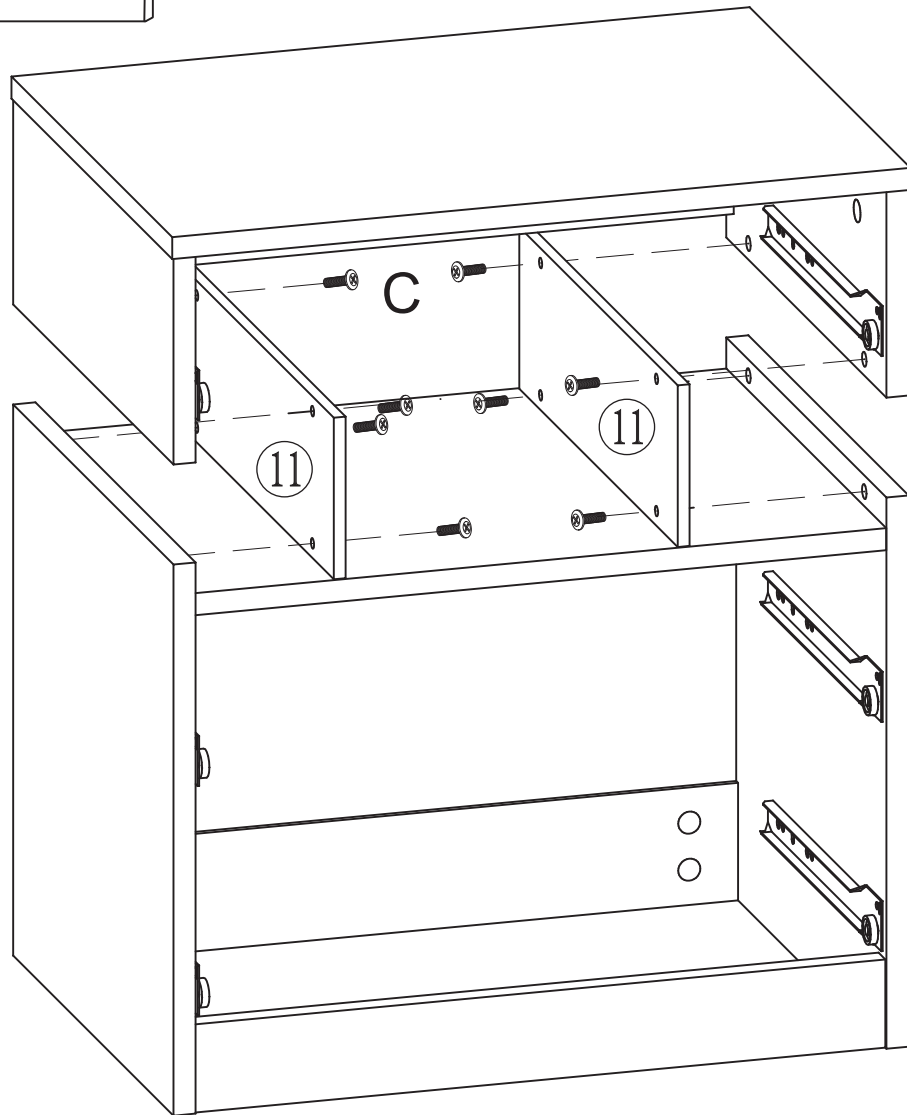


Step 8

11

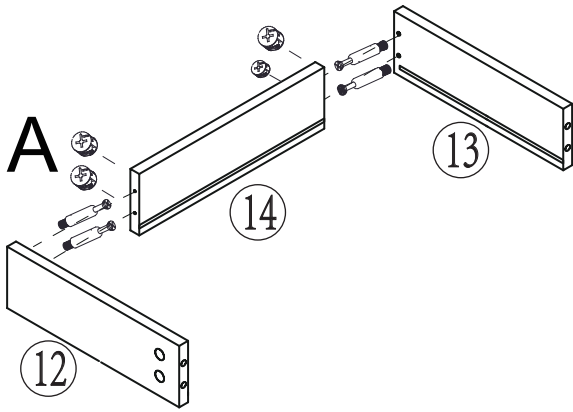


There is a protective film on both sides, please tear it off.

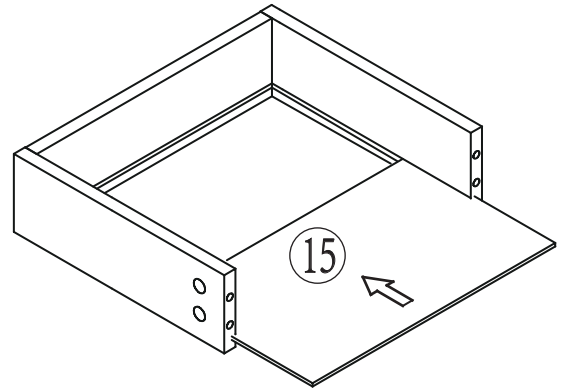


INSTRUCTION MANUAL

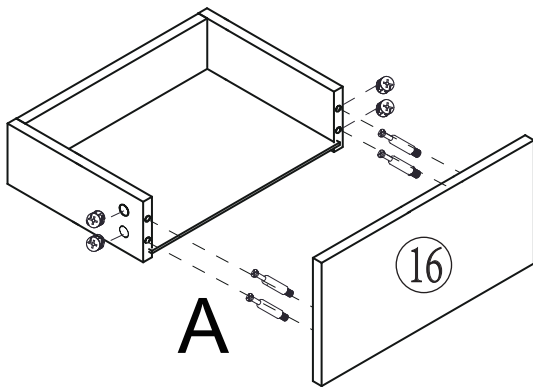
Step 9



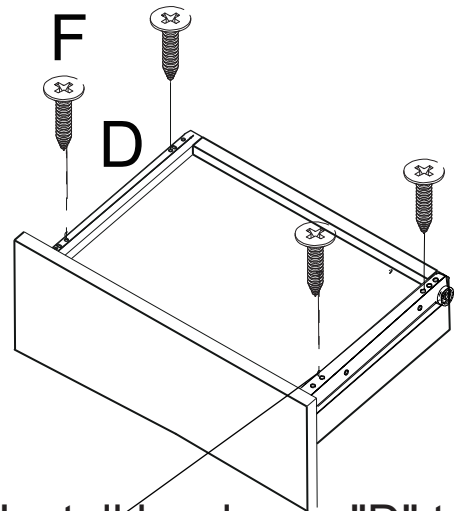
1. Connect part 12 & 13 to 14



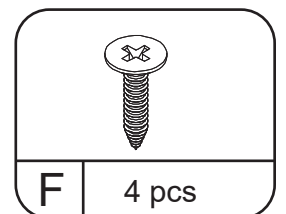
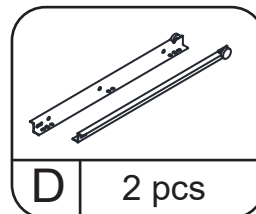
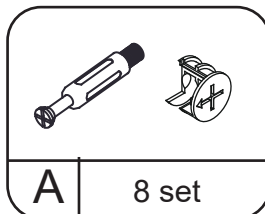
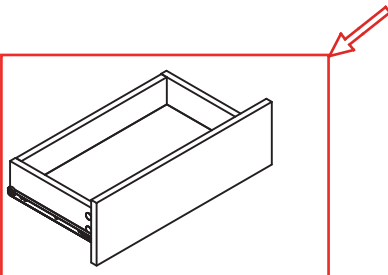
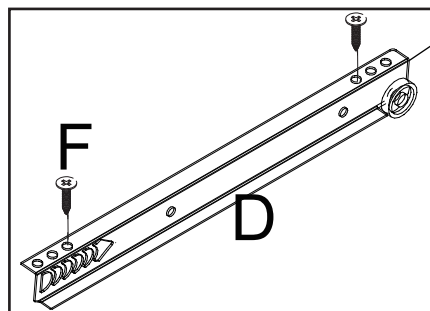
2. Insert part 15



3. Connect Part 16

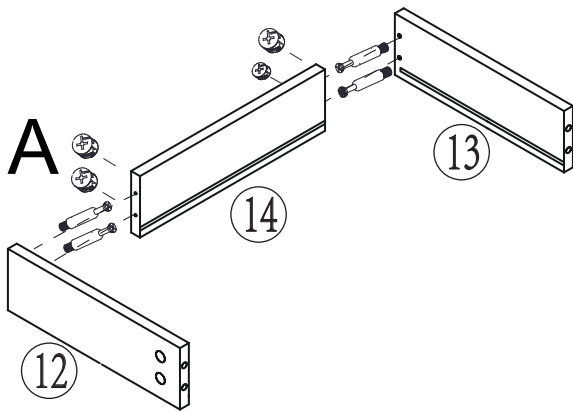


4. Install hardware "D" to part 12 & 13 according to the pre-drilled holes

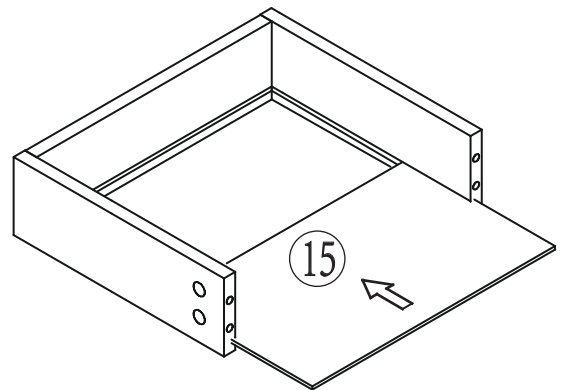


INSTRUCTION MANUAL

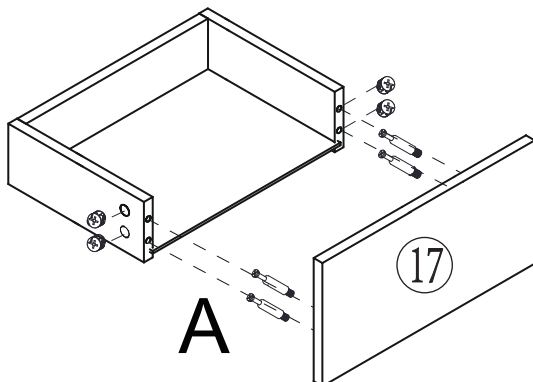
Step 10 X2



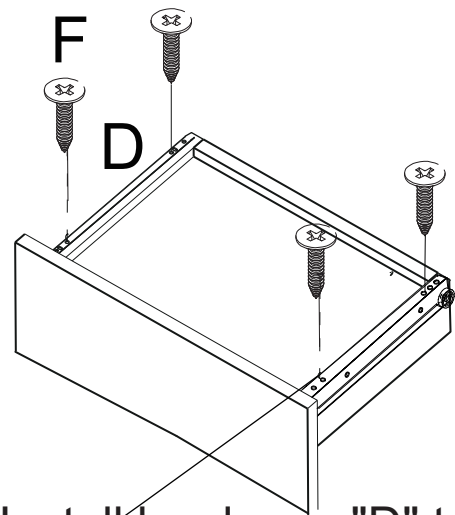
1. Connect part 12 & 13 to 14



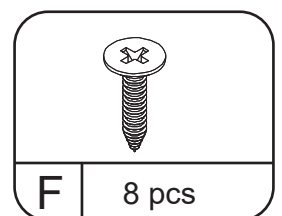
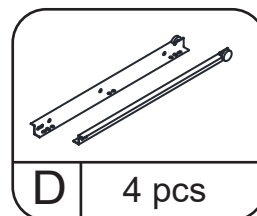
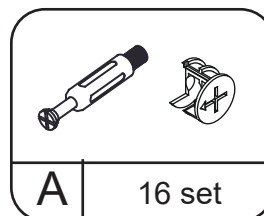
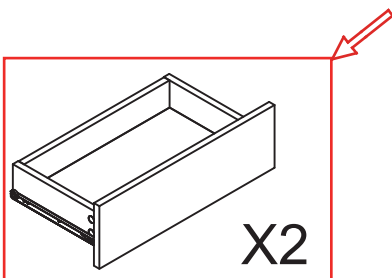
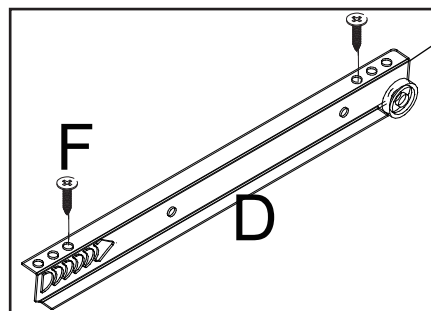
2. Insert part 15



3. Connect Part 17

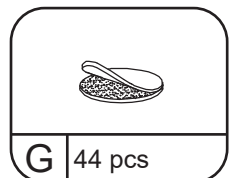
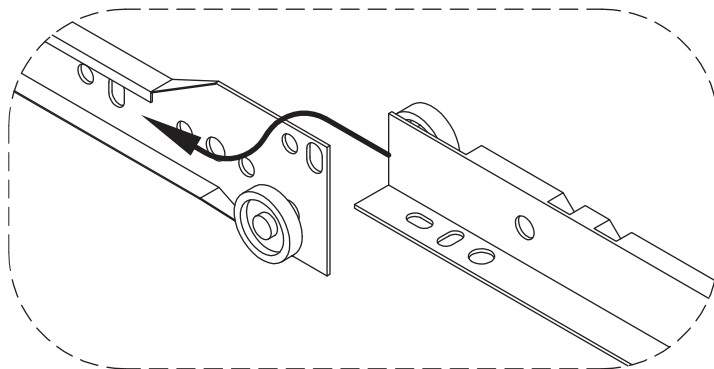
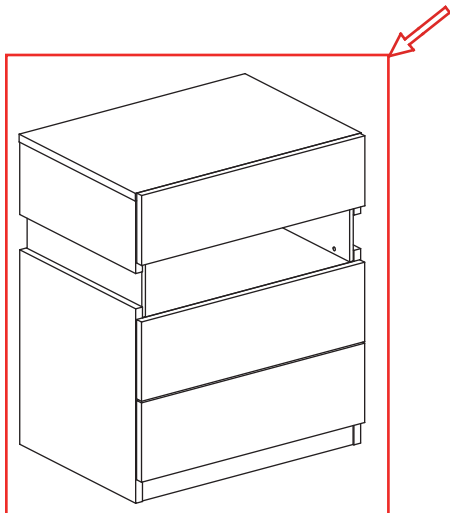
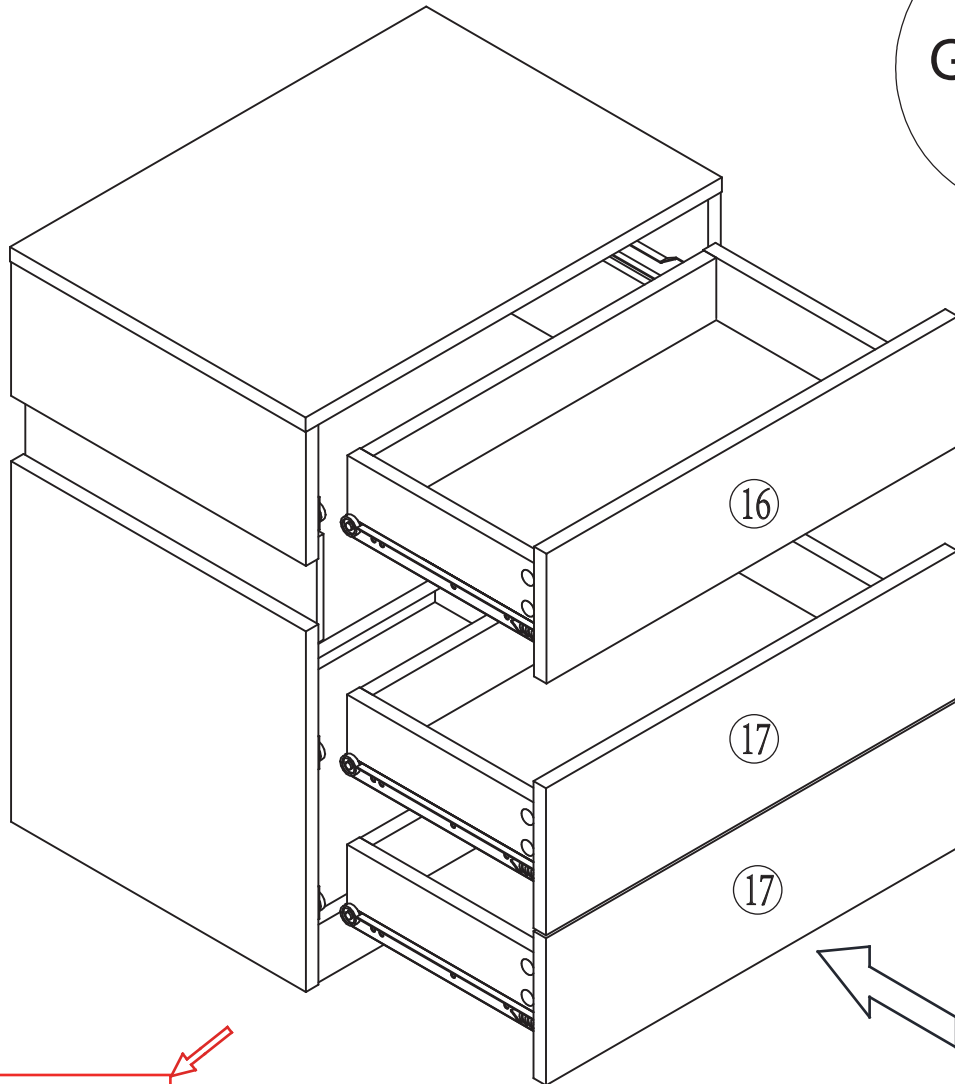
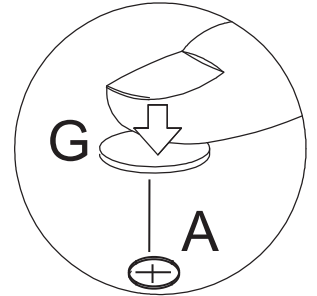
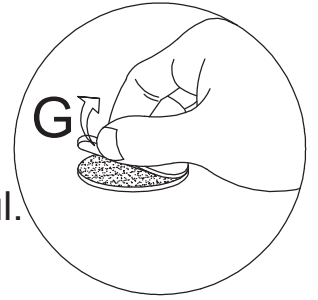


4. Install hardware "D" to part 12 & 13 according to the pre-drilled holes

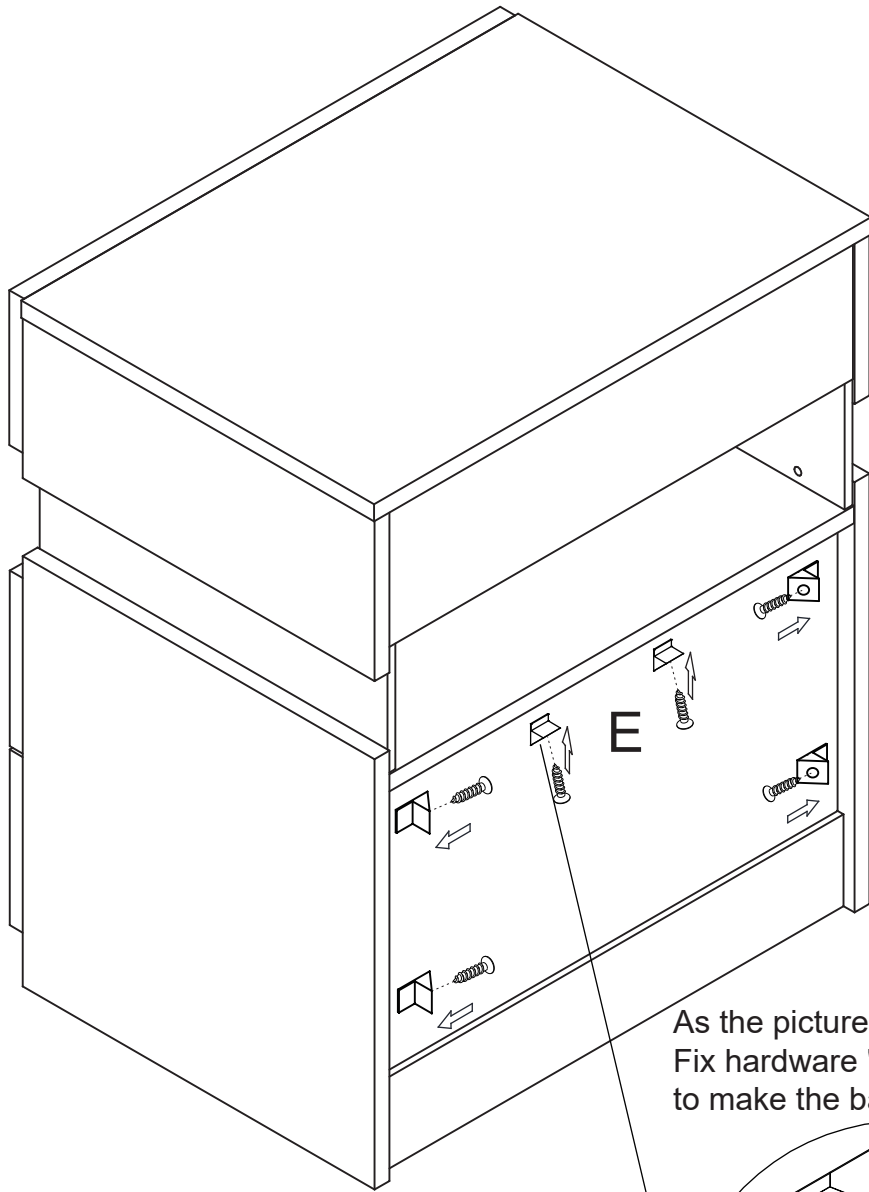


Step 11

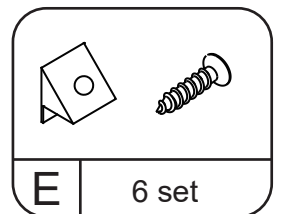
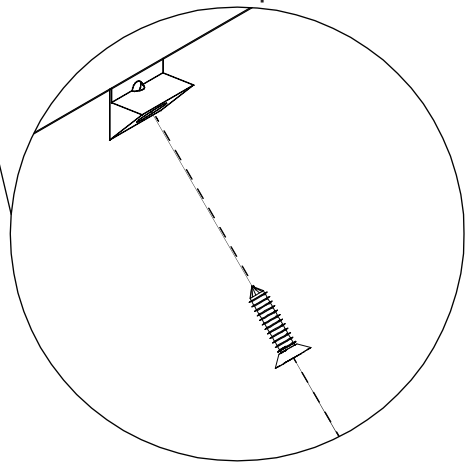
Please stick the hardware "G" on the exposed cam lock hole that makes your product more beautiful.



Step 12



As the picture shows,
Fix hardware "E" into the gap with screws
to make the back panel more stable.



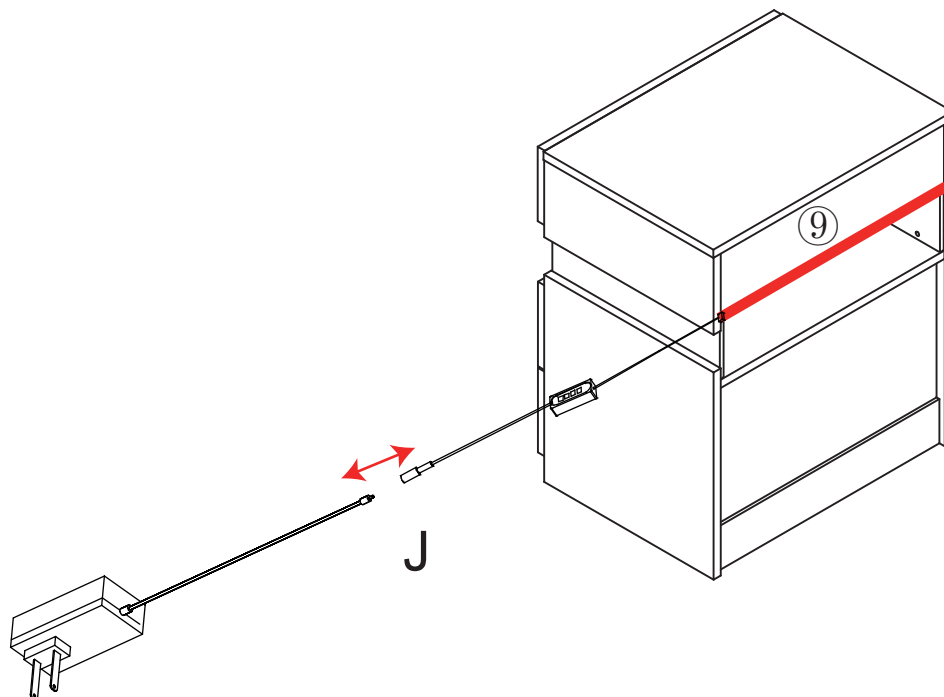
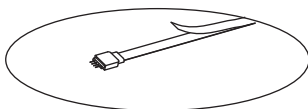
INSTRUCTION MANUAL

Step 13

Stick Light strip to the ⑨

Note:

If the Light strip is pasted incorrectly, it should be gently removed to prevent damage.



Note: The installation direction of the LED light strip can be left and right, either side is OK.

