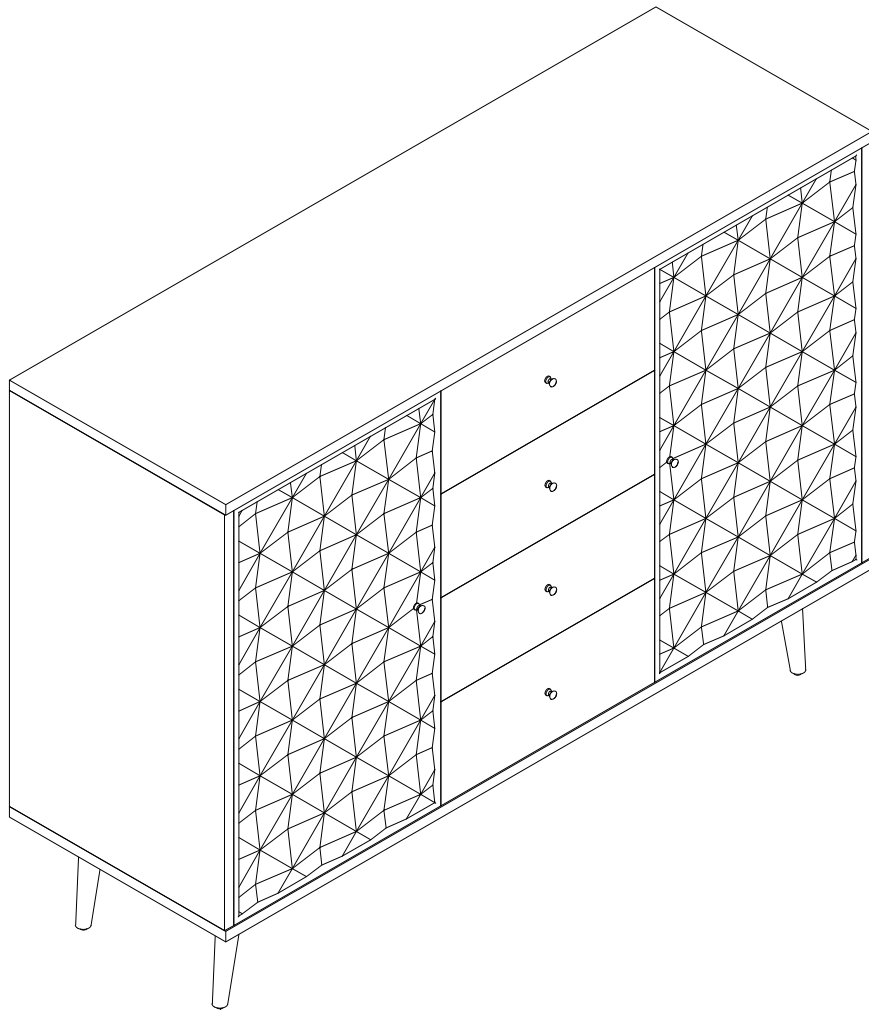


Installation Instruction



Product Name

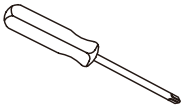
2 Door 4 Drawer Cabinet

Ver.1.0 20230701

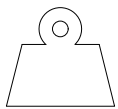
Assembling

What you need

- Use the packaging carton as a working surface to prevent product damage during assembly
- Phillips head screwdriver



Weight Limitation



55

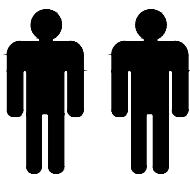
lbs table top

| 11

lbs per drawer

| 20

lbs per shelf



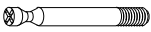
2 PERSONS

What's included

Code	Description	Qty
A	Cam Bolt M6X35MM	28
B	Cam Lock M10X15MM	28
C	Screw M4×30MM	16
D	Wooden Dowel M6×30MM	20
E	Metal Pin for Feet	4
F	Metal Plate	2
G	Screw M4×14MM	2
H	Screw M3×14MM	30
I	Screw M4×35MM	8
J	Screw M3×12MM	48
K	Handle	6
L	Bolt M4×24MM	4
M	Screw M3×12MM	8
N	Plastic Corner Support	10
O	Metal Pin	8
P	Hinge	4
Q	Screw M3.5×14MM	24
R	Bolt M4×20MM	2
S	Slide Sets	2
T	Screw M3.5×40MM	2
U	Anchor M6×30MM	2

The Hardwares

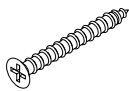
A



B



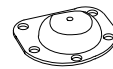
C



D



E



F



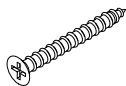
G



H



I



J



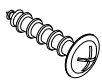
K



L



M



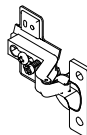
N



O



P



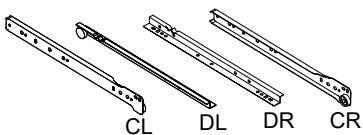
Q



R



S



T

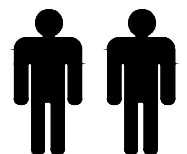


U



IMPORTANT :

1. Do not tighten bolts / screws completely until all bolts / screws are lined up and inserted into holes.
2. Do not over tighten screws and bolts to avoid stripping.
3. Please use hand tools to assemble this product. Do not use power tools.
4. Must need 2 people to assemble this product.

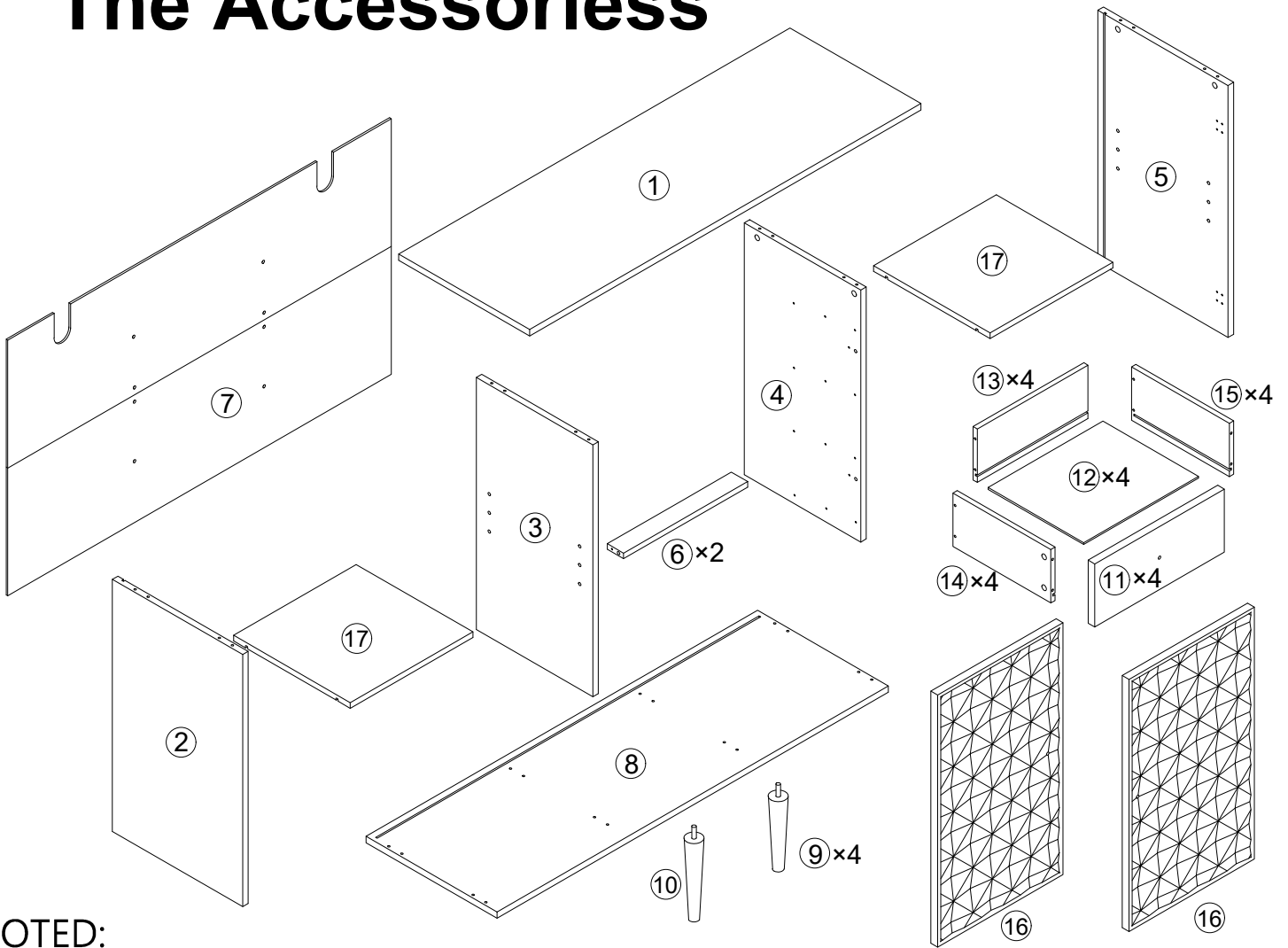


2 PERSONS

Included Accessories

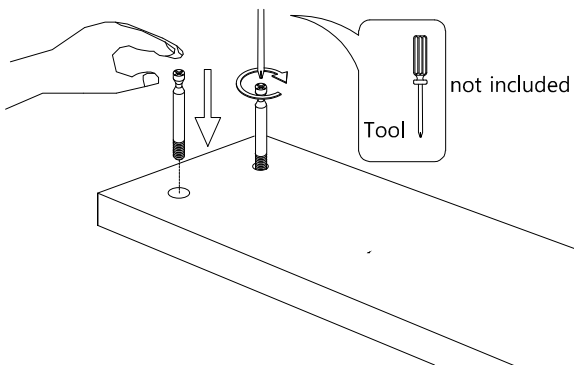
Code	Description	Qty
1	Cabinet Top	1
2	Left Side Panel	1
3	Left Division Panel	1
4	Right Division Panel	1
5	Right Side Panel	1
6	Back Support Stretcher	2
7	Back Panel	1
8	Bottom Panel	1
9	Feet	4
10	Middle Foot	1
11	Drawer Front Panel	4
12	Drawer Bottom Panel	4
13	Drawer Back Panel	4
14	Drawer Left Side Panel	4
15	Drawer Right Side Panel	4
16	Door	2
17	Shelf	2

The Accessoriess

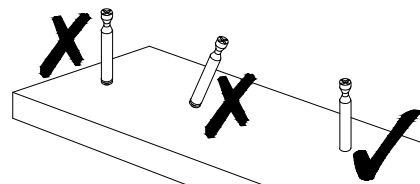


NOTED:

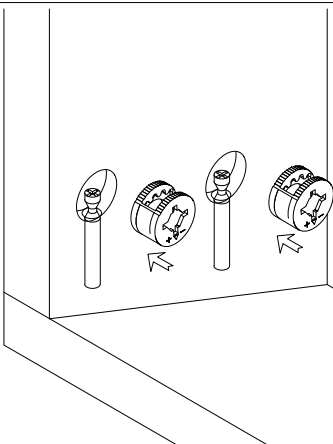
I



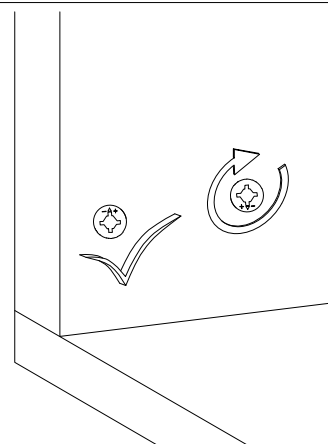
II



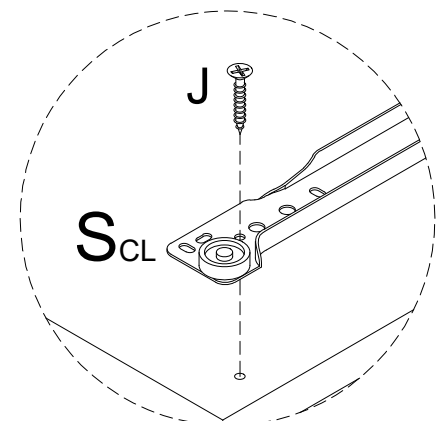
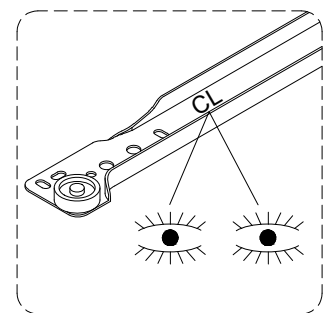
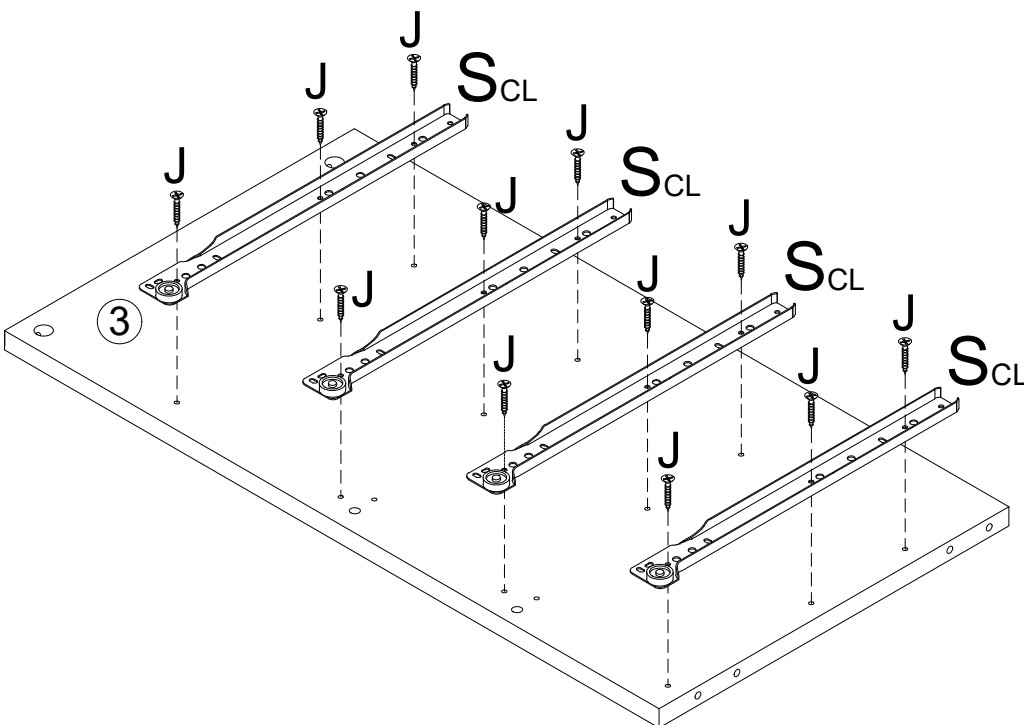
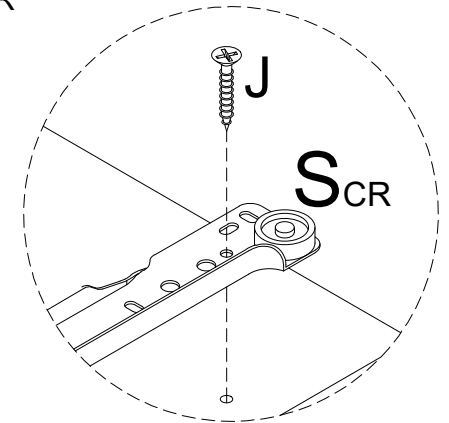
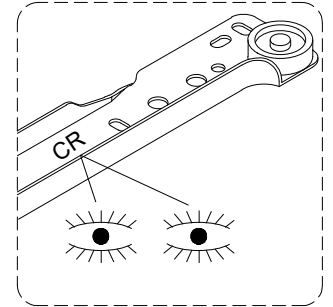
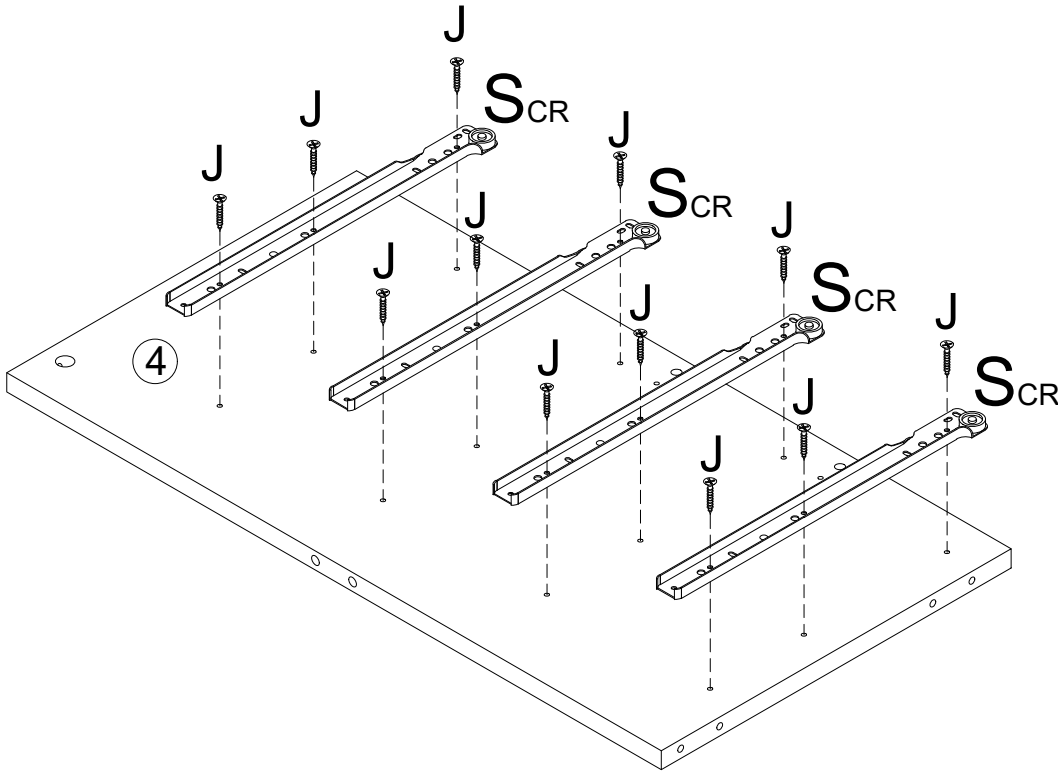
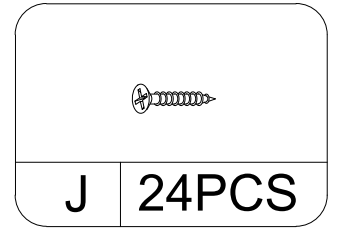
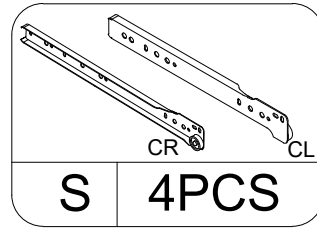
III



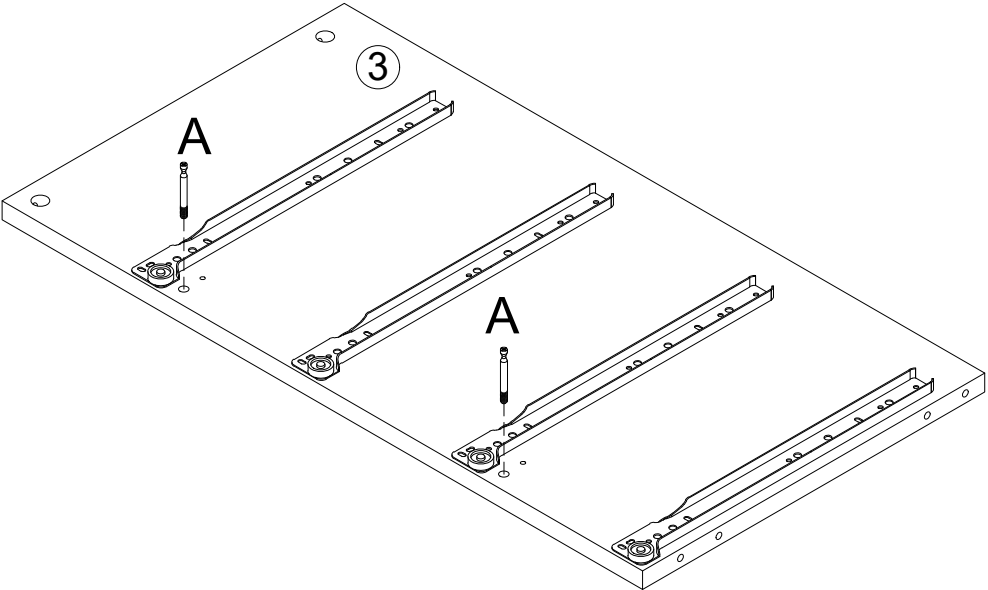
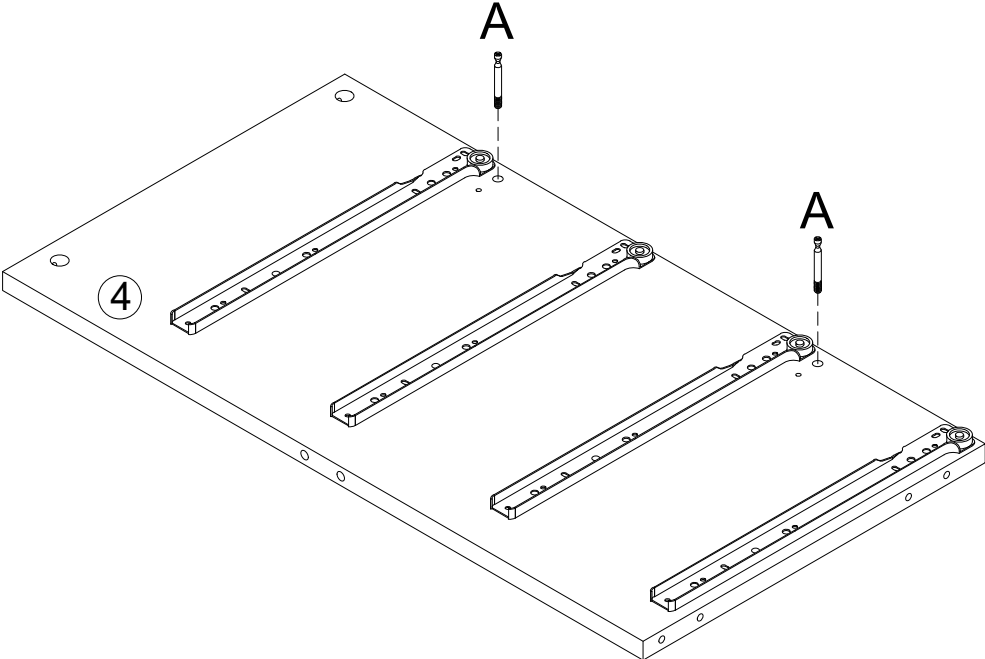
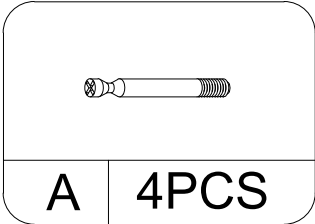
IV



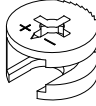
Step 1

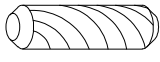


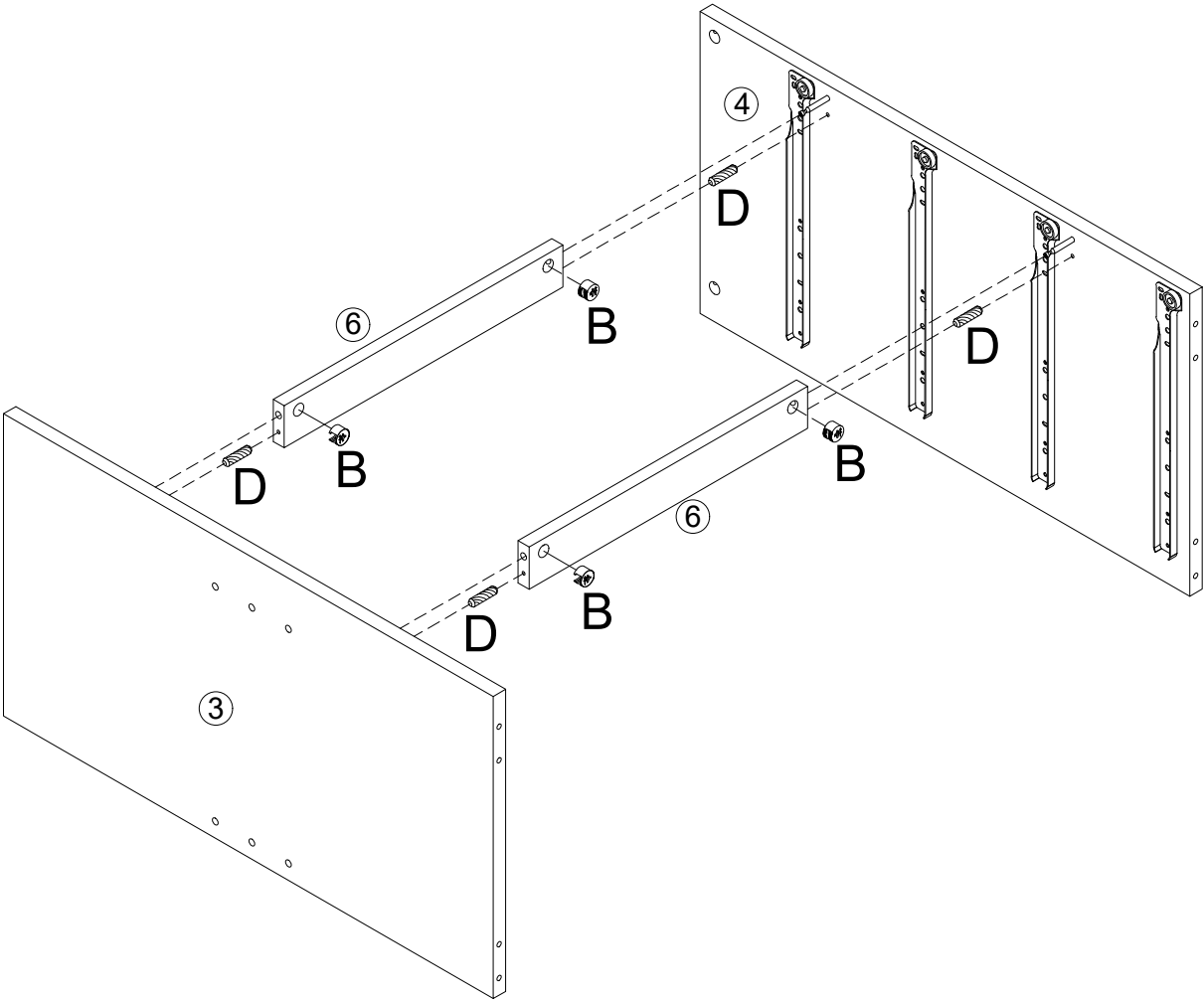
Step 2



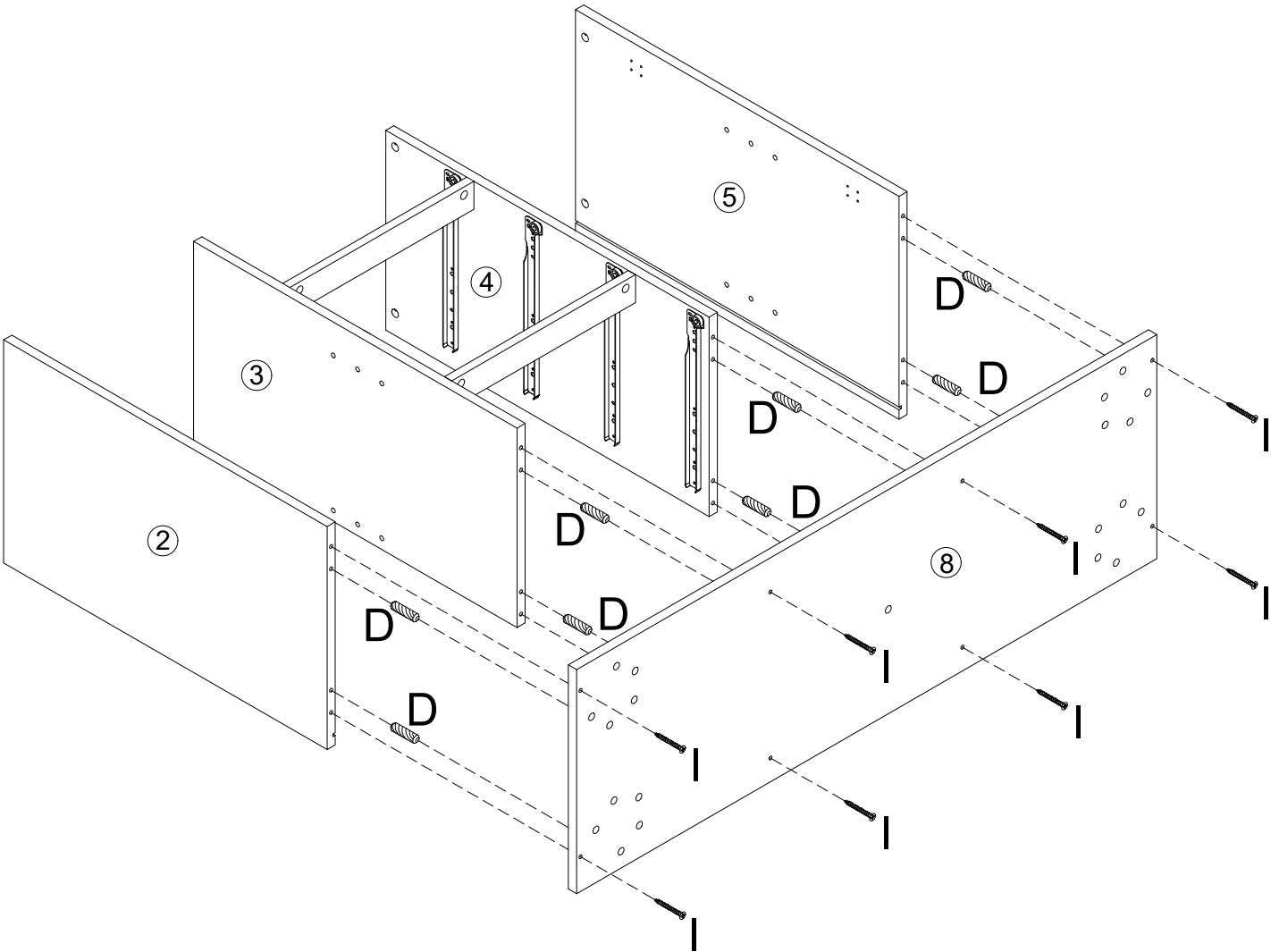
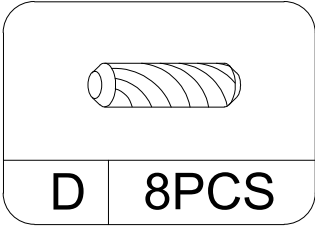
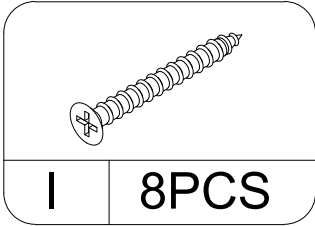
Step 3

	
B	4PCS

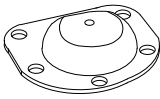
	
D	4PCS




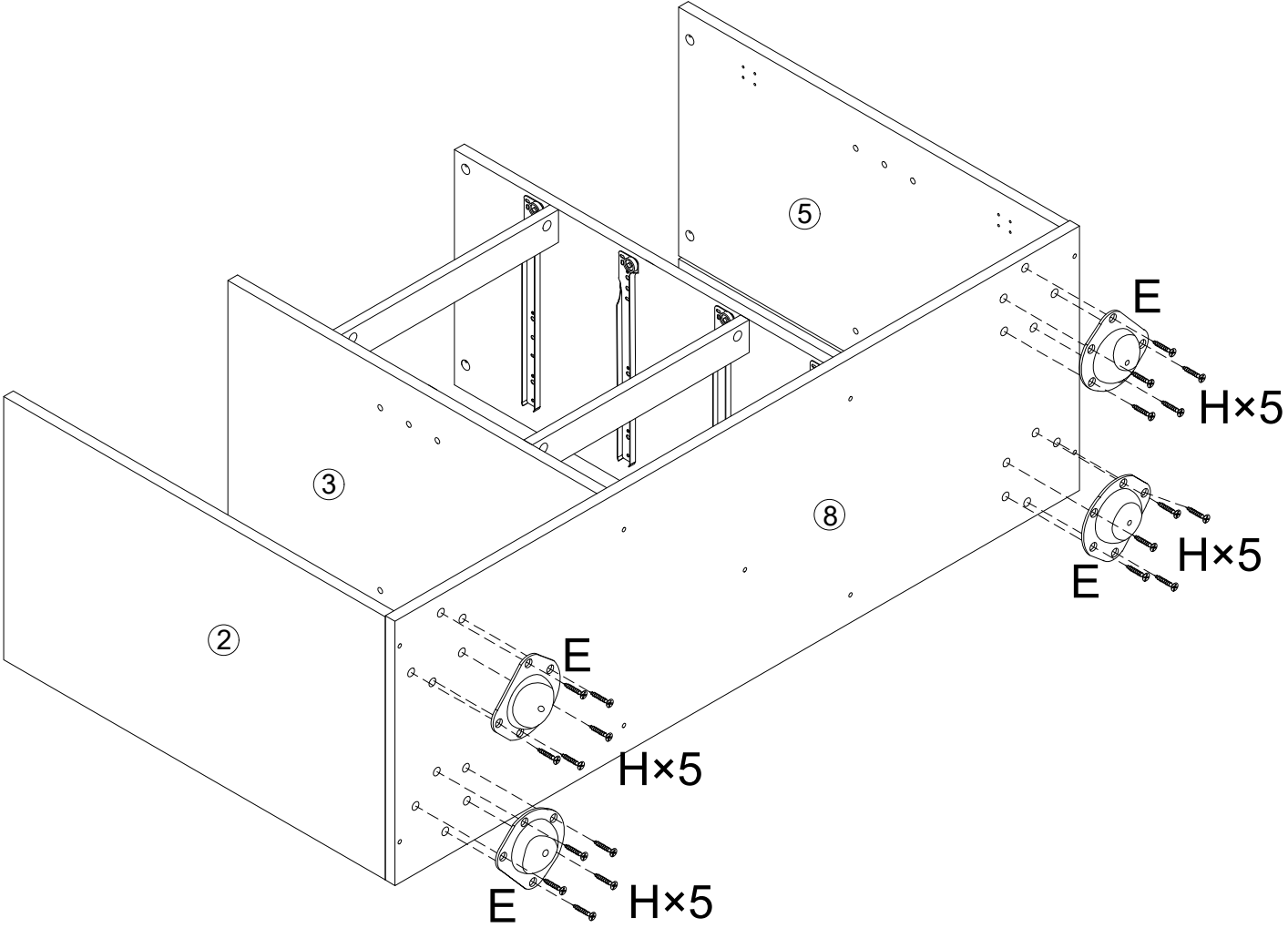
Step 4



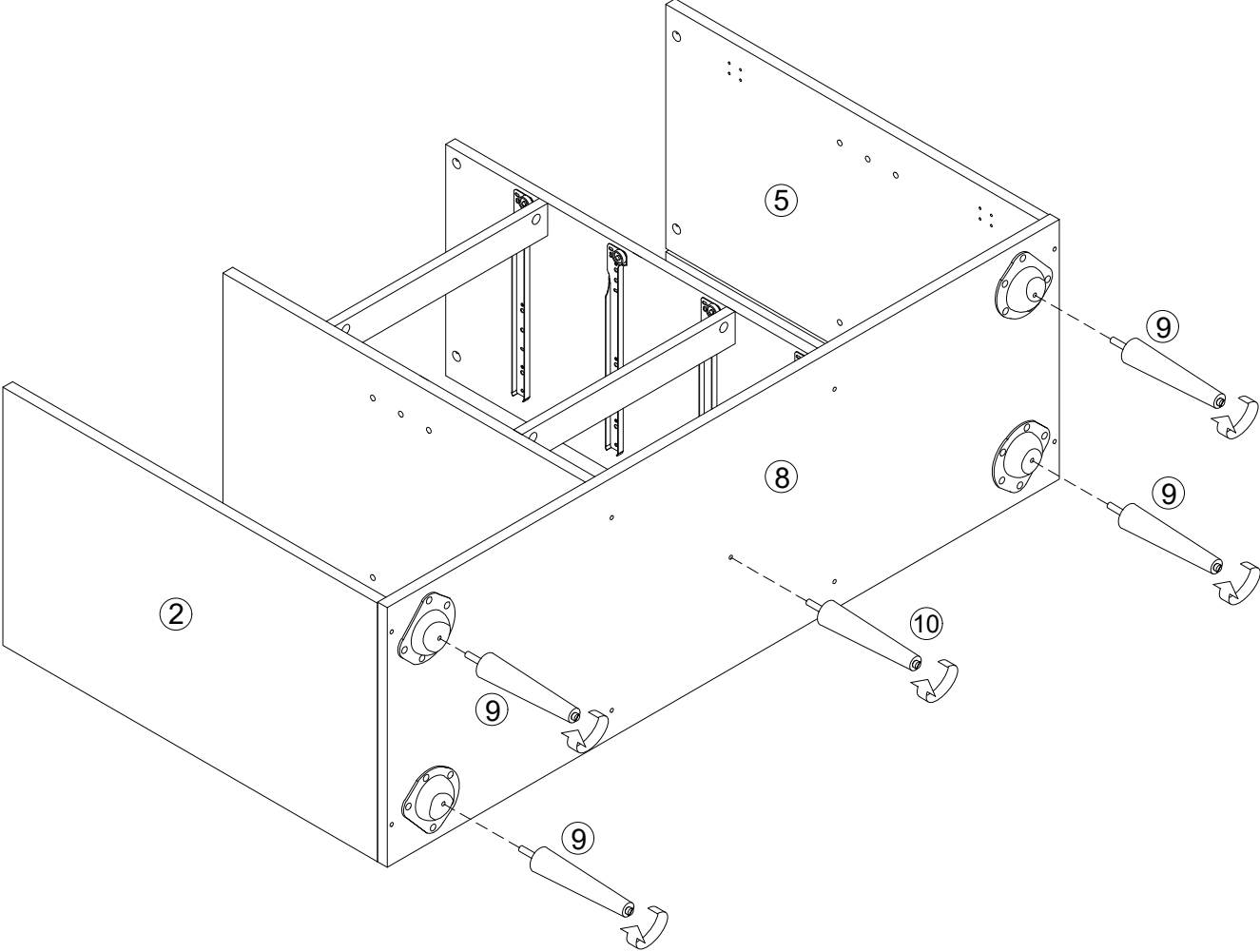
Step 5

	
E	4PCS

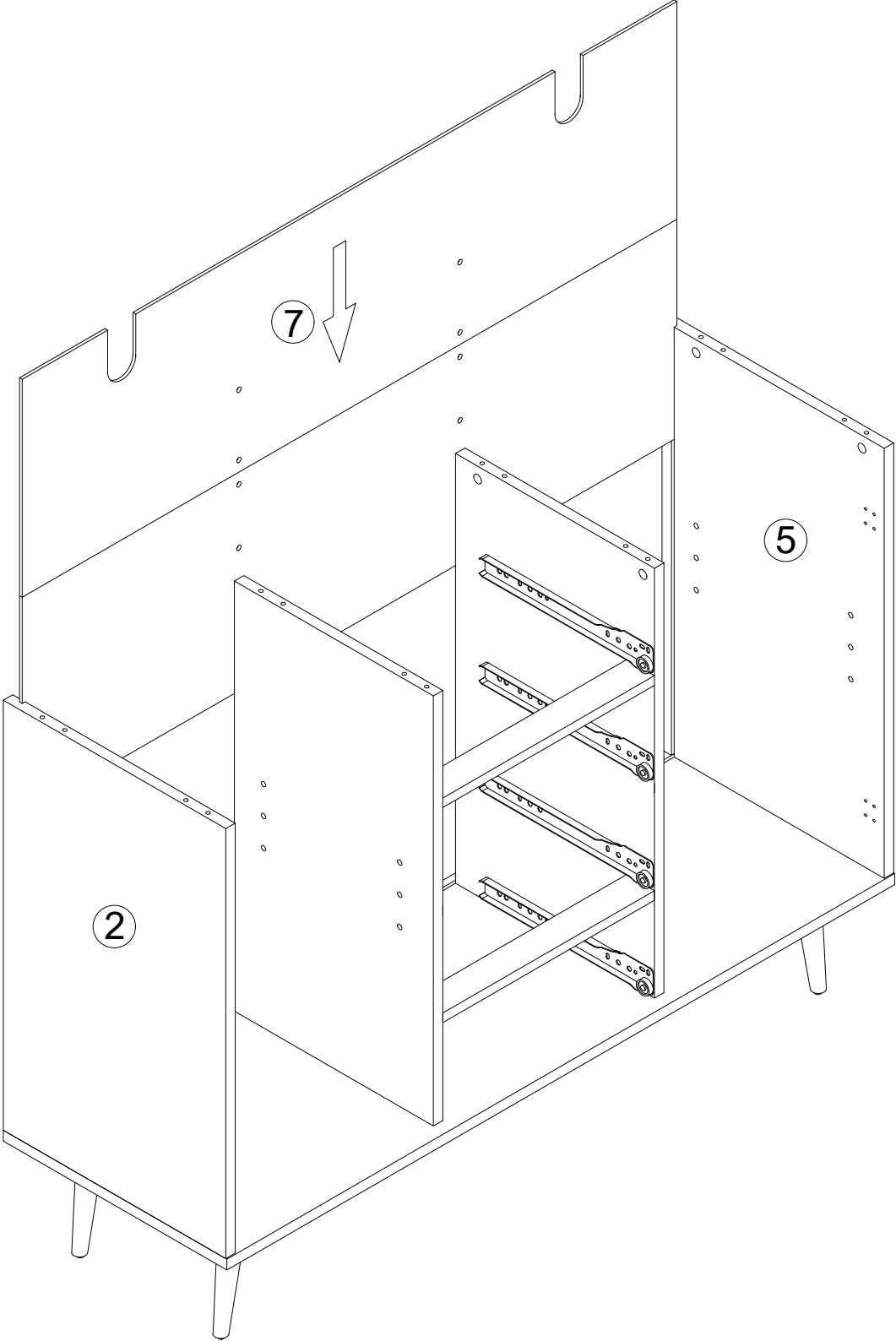
	
H	20PCS



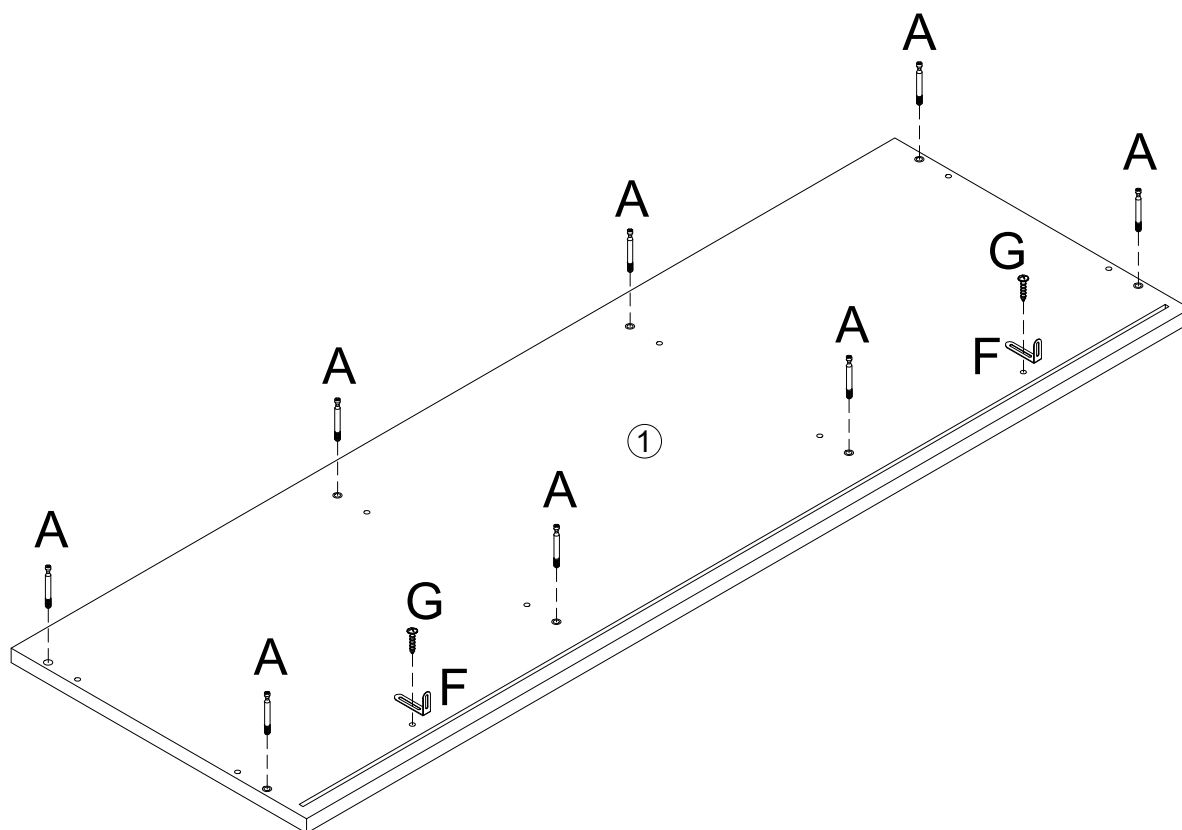
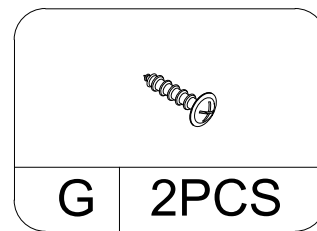
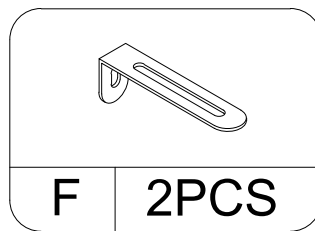
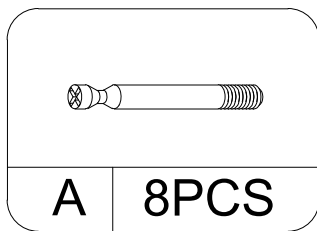
Step 6



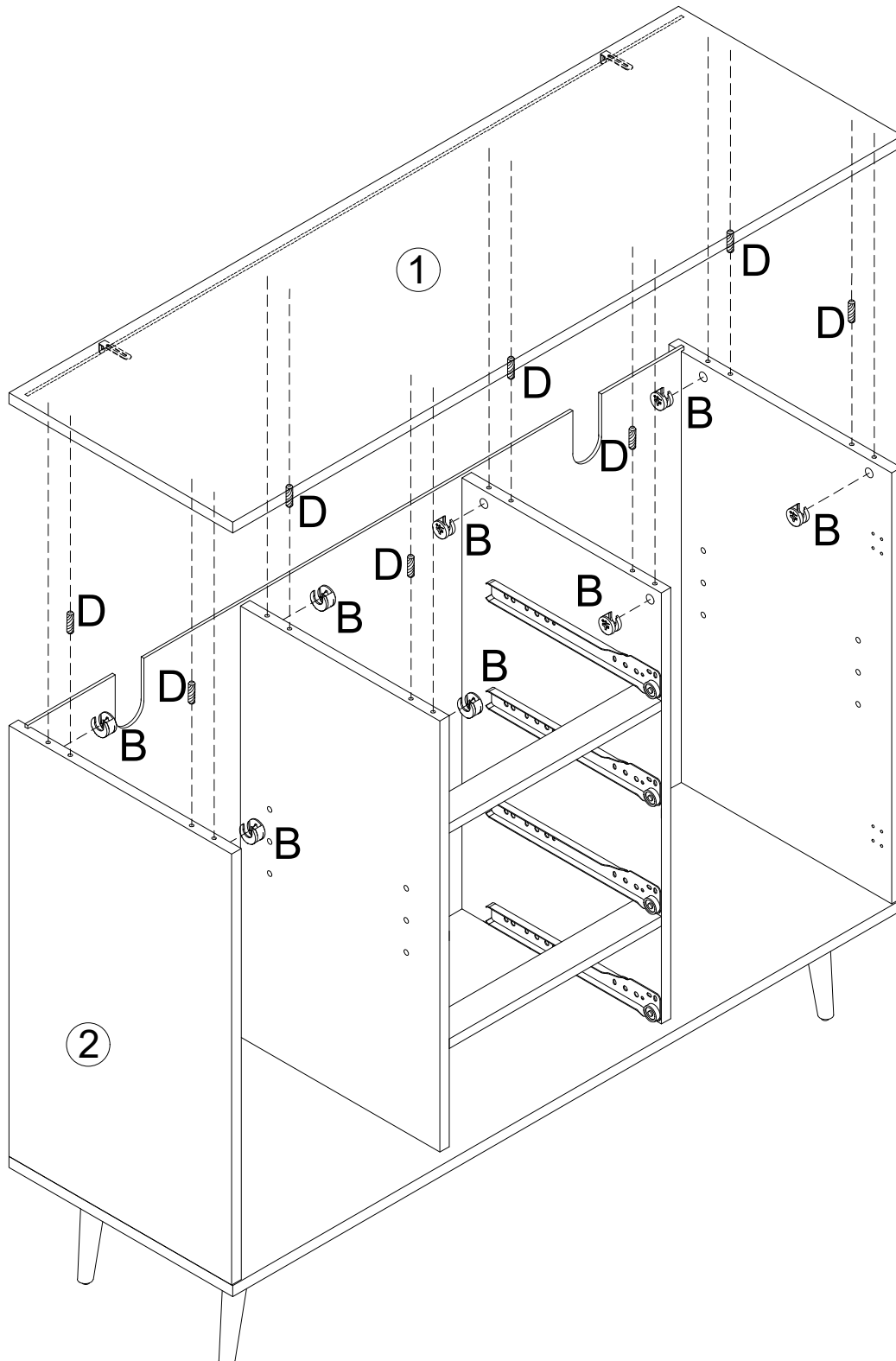
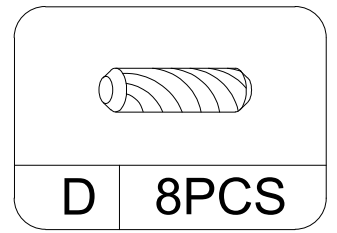
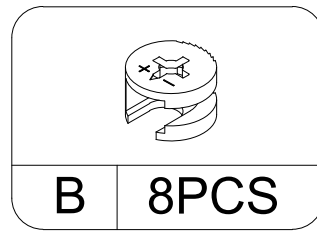
Step 7



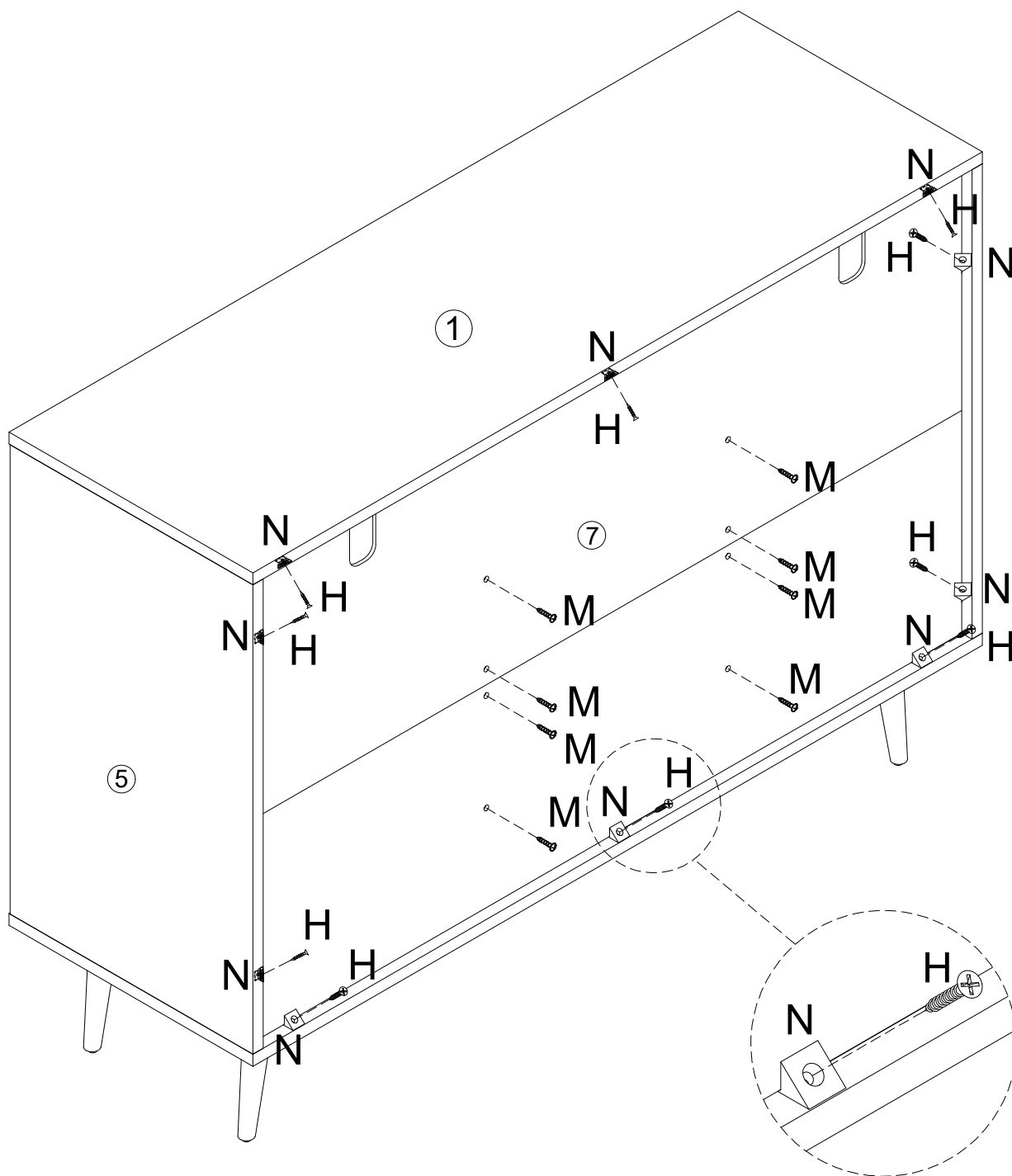
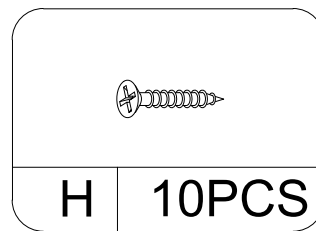
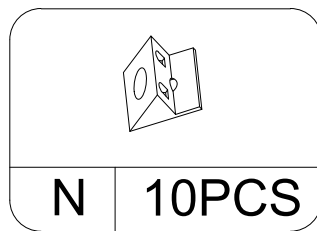
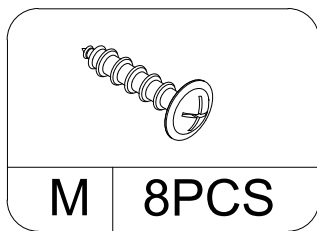
Step 8



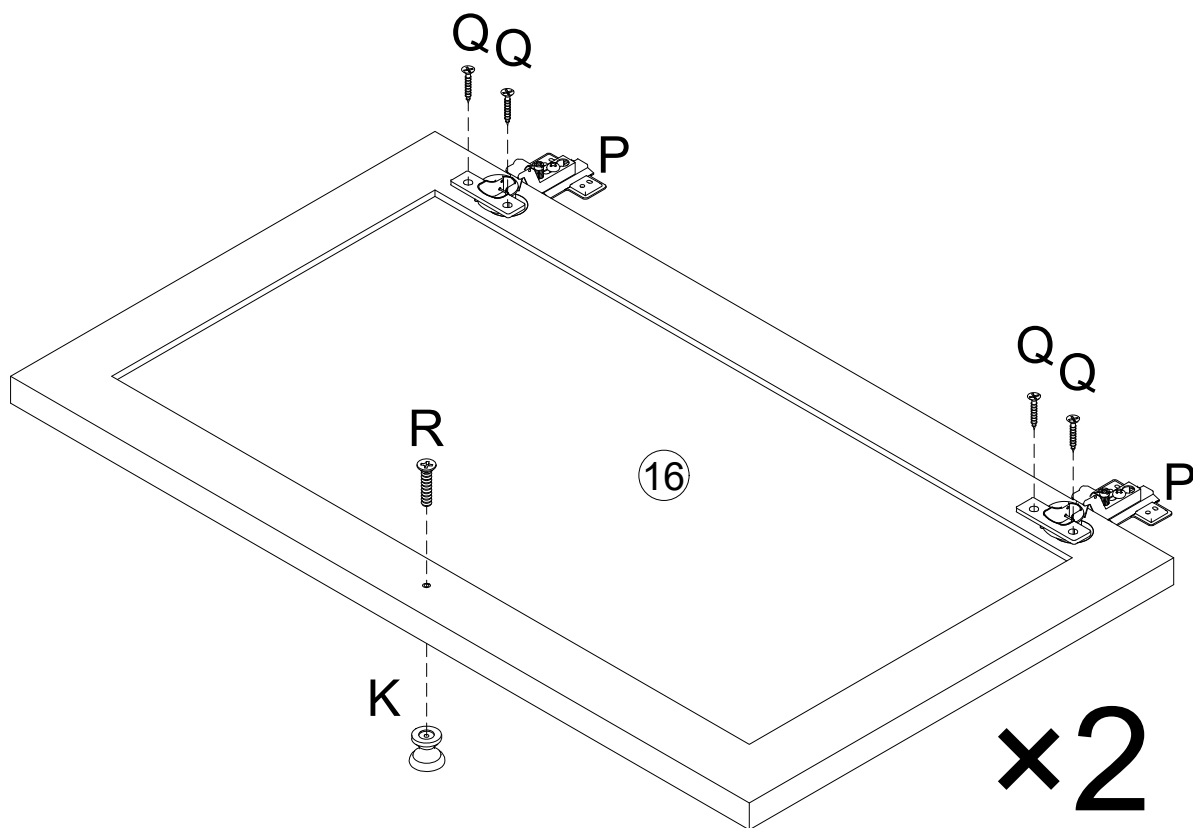
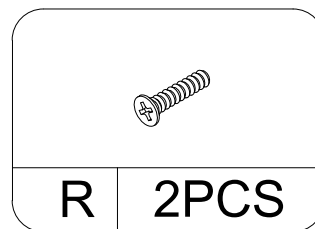
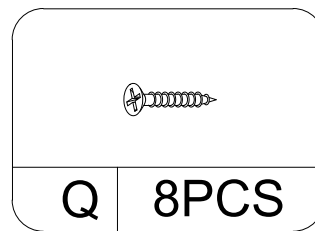
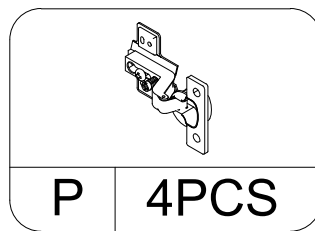
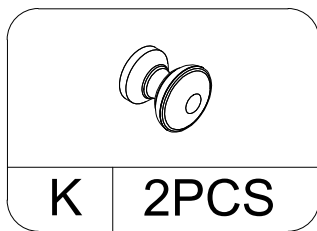
Step 9



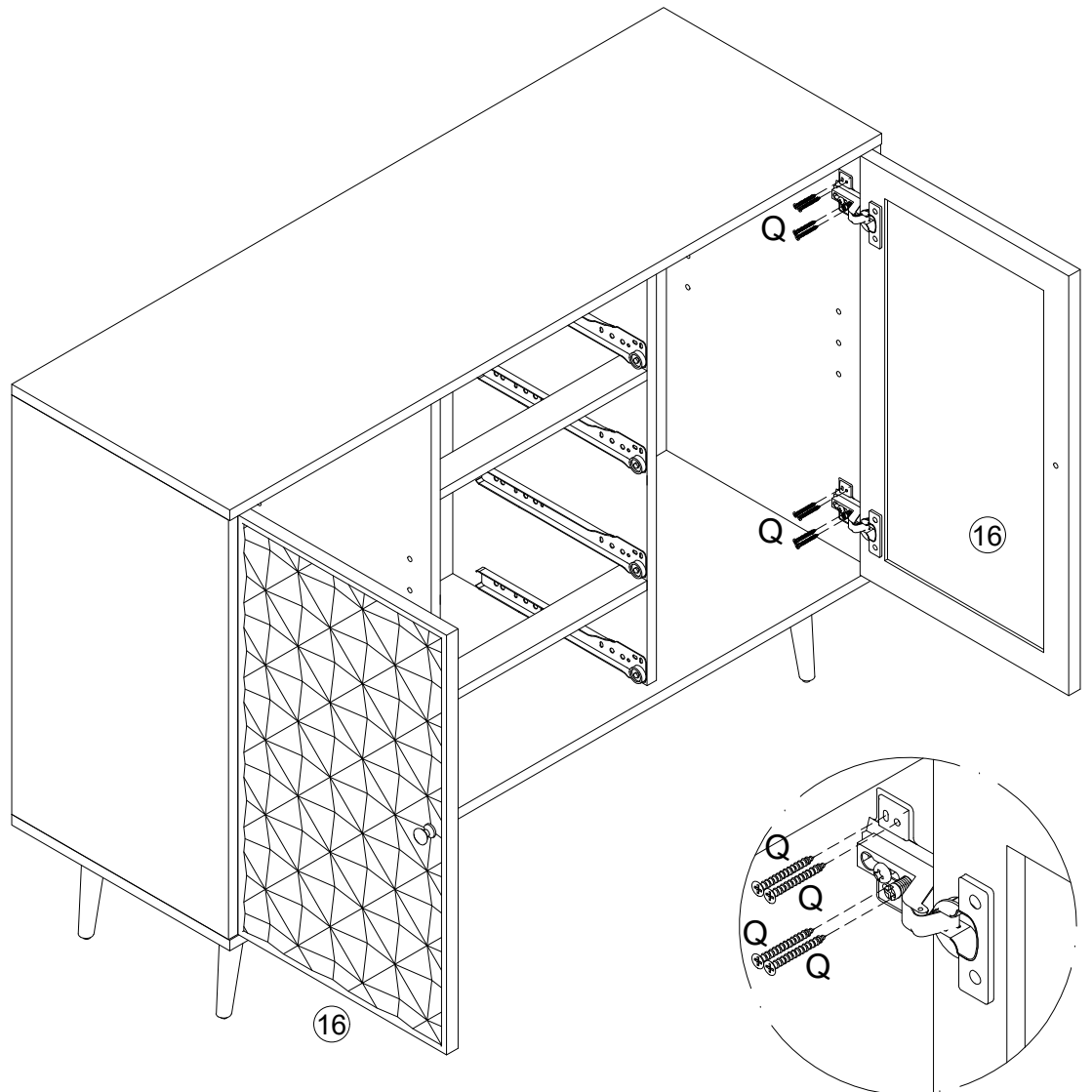
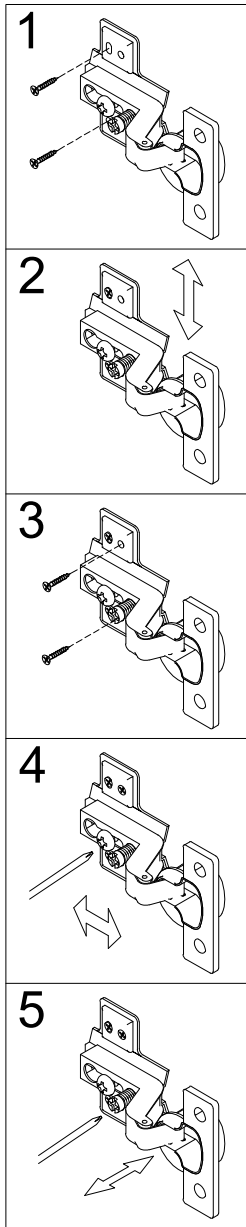
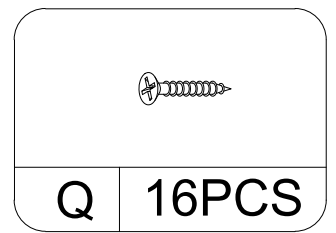
Step 10



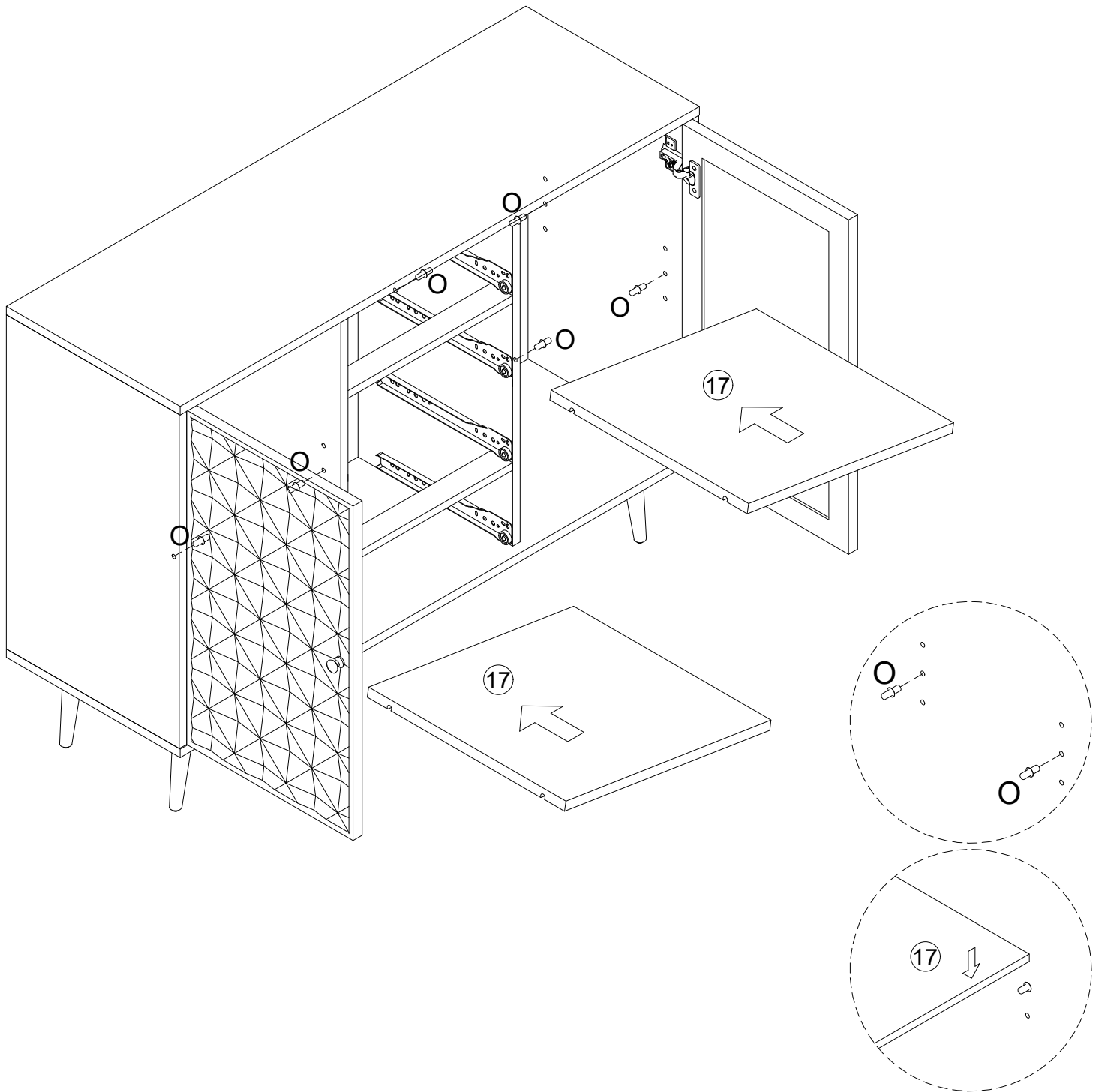
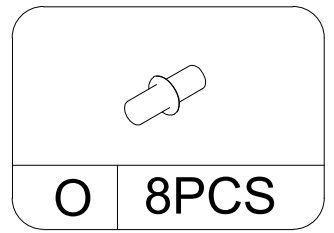
Step 11



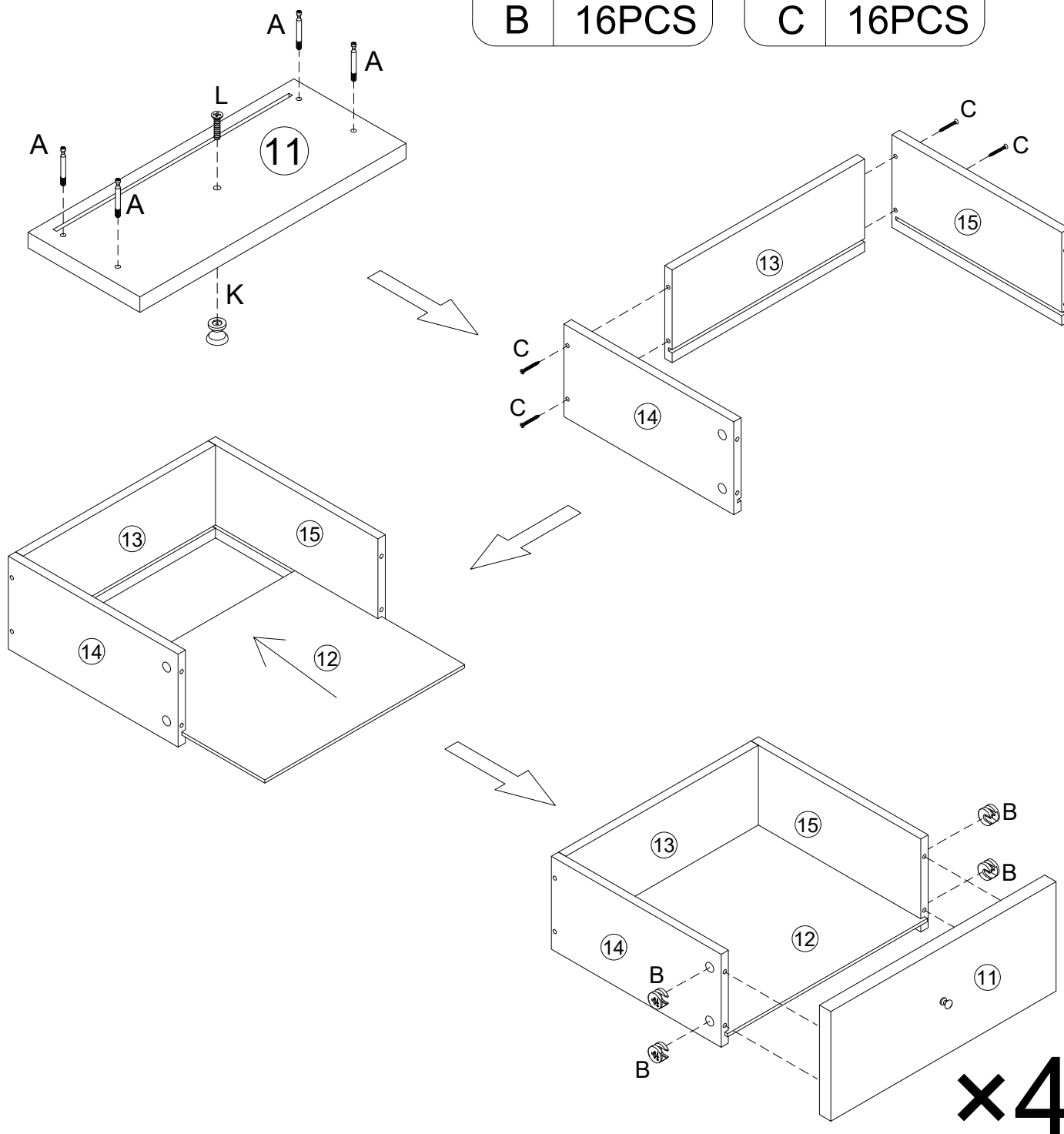
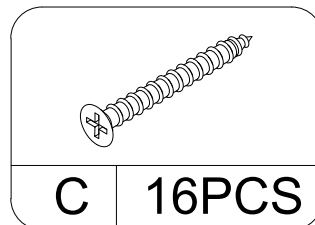
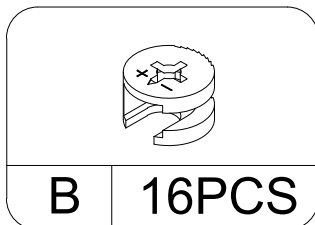
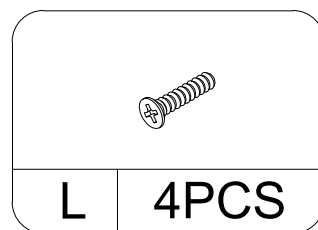
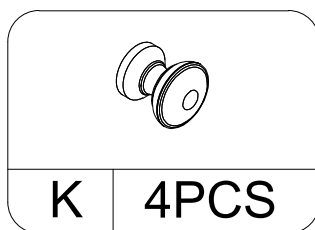
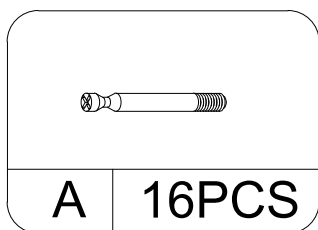
Step 12



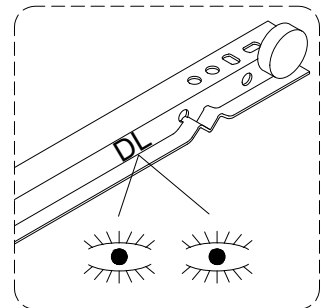
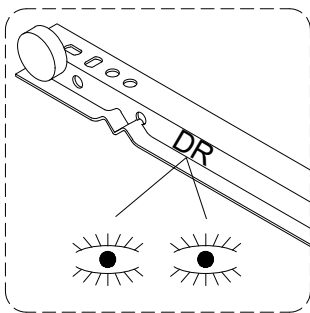
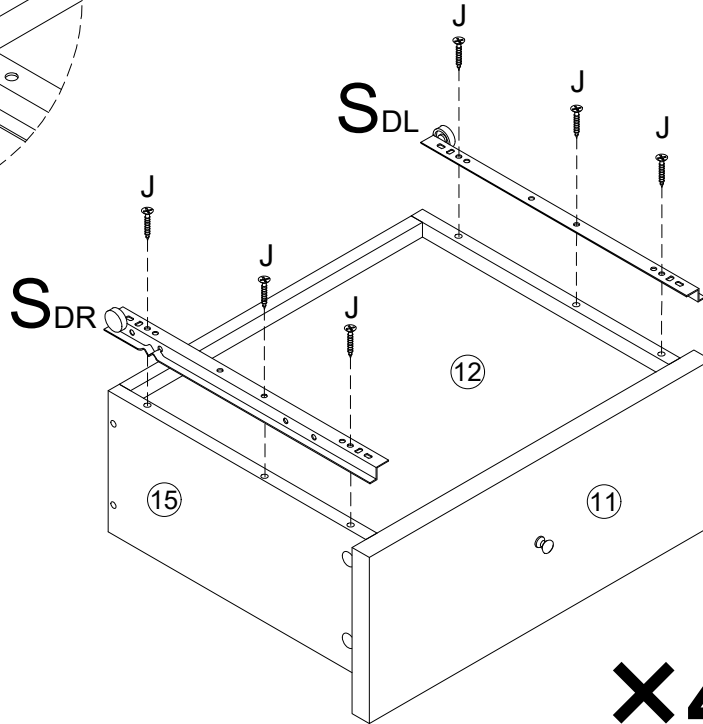
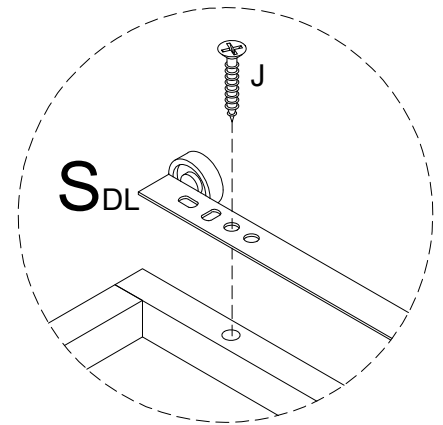
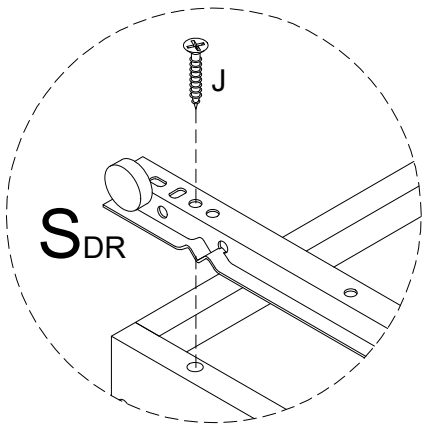
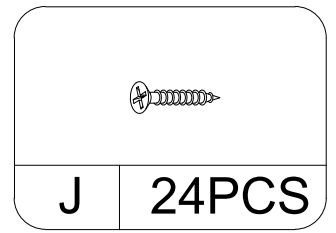
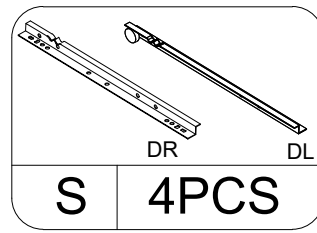
Step 13



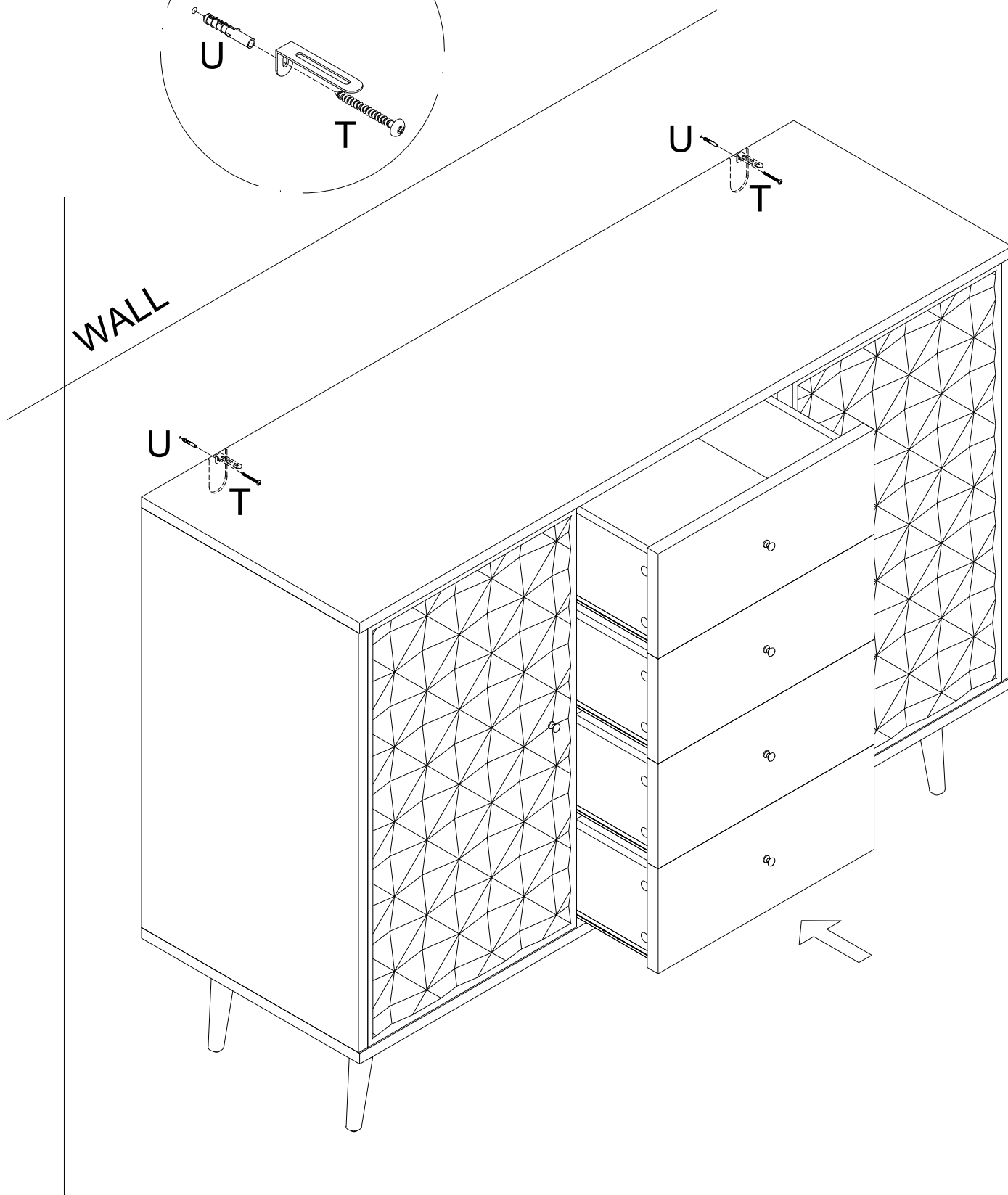
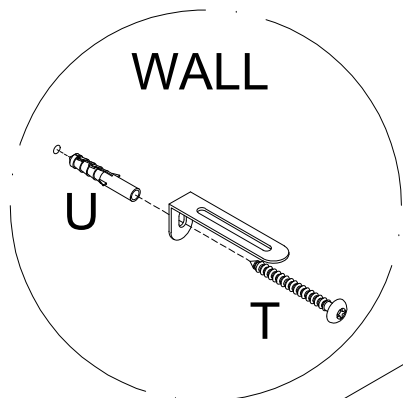
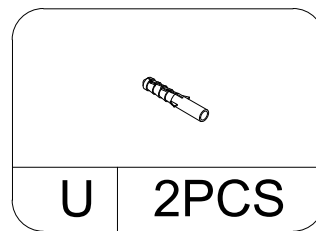
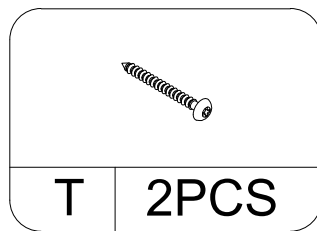
Step 14



Step 15



Step 16



Proper Use

- DO NOT** use for commercial purposes
- DO NOT** use as a step stool or stand on table
- DO NOT** put hot serving liquid directly on the table top
- DO NOT** leave spilled liquid on the table top
- DO NOT** use table if damaged
- DO NOT** exceed weight limit
- DO NOT** make temporary repairs
- DO NOT** use outdoor

Dear Customer :

Thank you for purchasing our product, we wish you satisfy our service, if you have any further questions or any quality issues, please show the below number and don't hesitate to contact our Customer Service People :