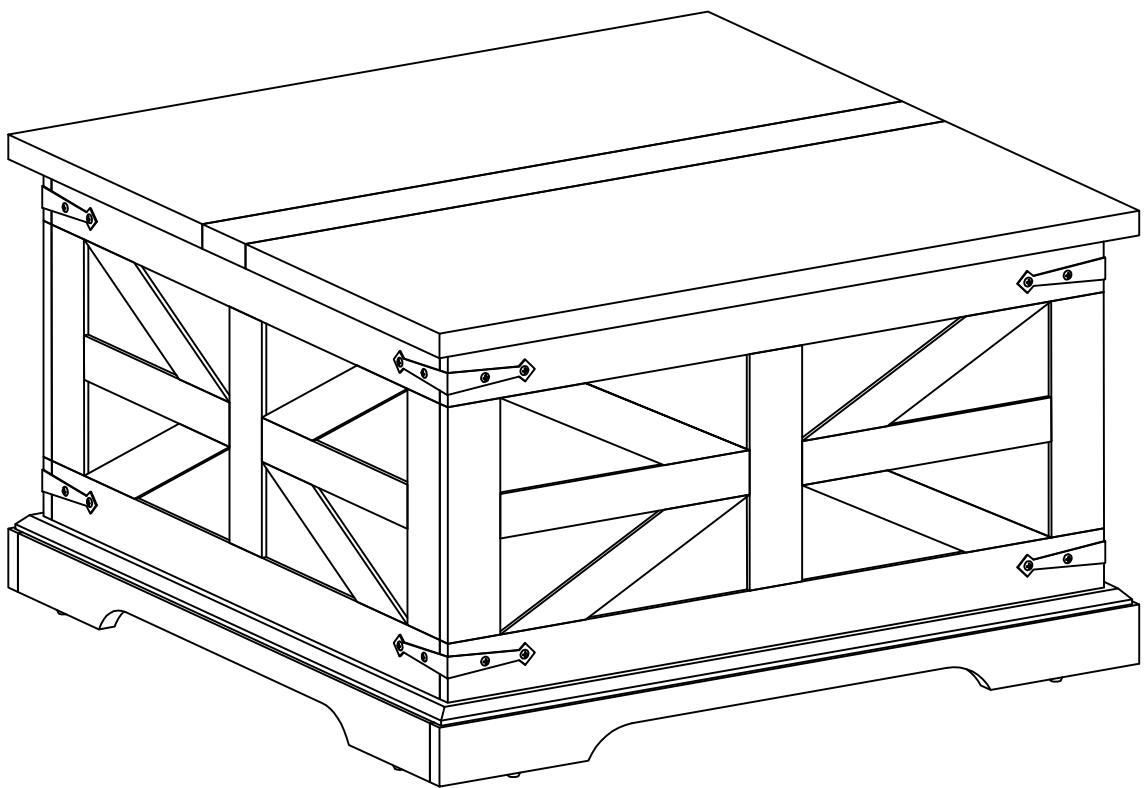


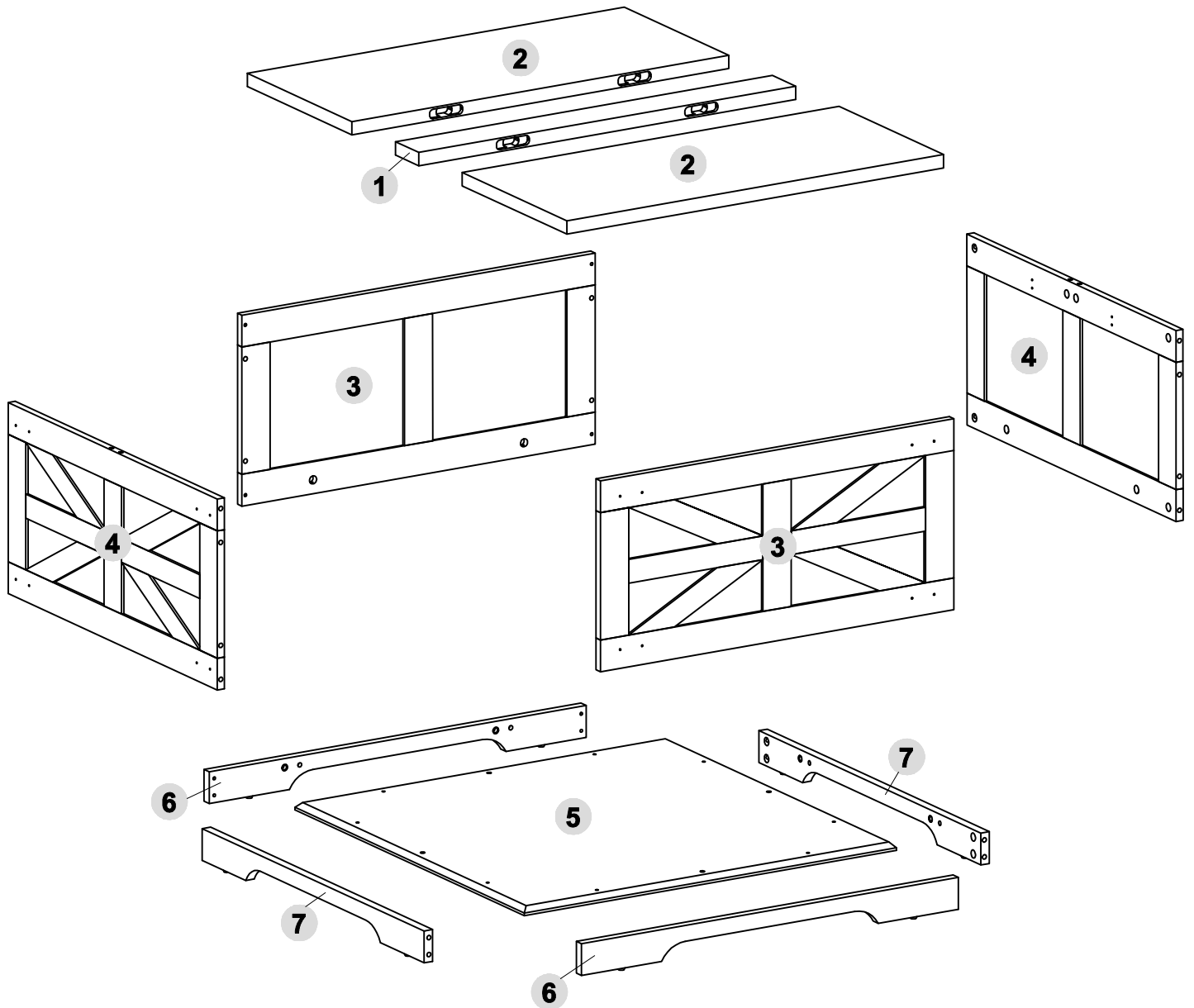
COFFEE TABLE

**ELRP27D401**

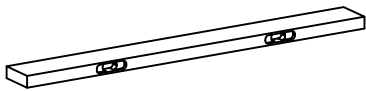
Assembly Instructions



# PACKAGE INCLUDE

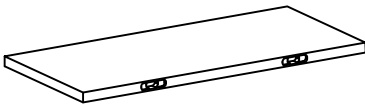


# PART IDENTIFICATION



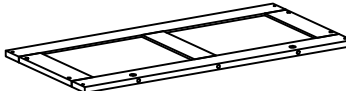
**1**

**1x**



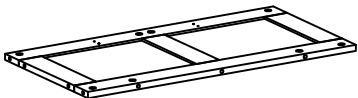
**2**

**2x**



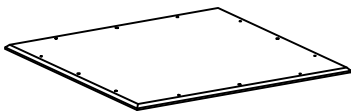
**3**

**2x**



**4**

**2x**



**5**

**1x**



**6**

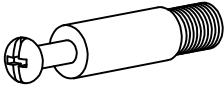

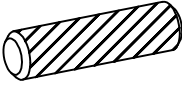
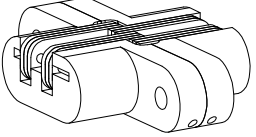
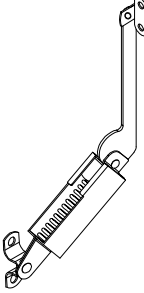
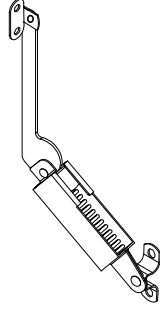


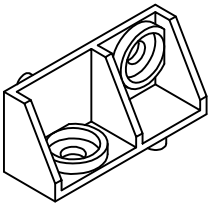
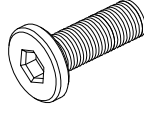

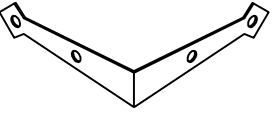
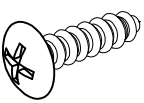
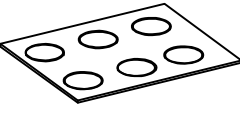
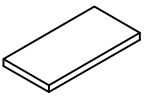
**2x**



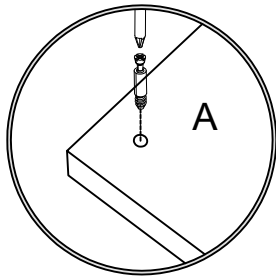
**7**

**2x**

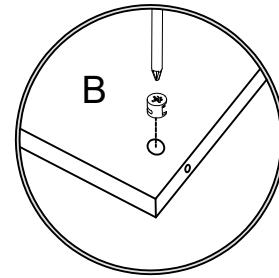
# PACKAGE CONTENT

 <p><b>A</b>      <b>28x+1</b></p>	<p><b>Ø15x11MM</b></p>  <p><b>B</b>      <b>28x+1</b></p>	<p><b>Ø8x30MM</b></p>  <p><b>C</b>      <b>12x+1</b></p>	 <p><b>D</b>      <b>4x</b></p>
 <p><b>E</b>      <b>2x</b></p>	 <p><b>F</b>      <b>2x</b></p>	<p><b>Ø3.5x14MM</b></p>  <p><b>G</b>      <b>16x+1</b></p>	<p><b>Ø3.5x20MM</b></p>  <p><b>H</b>      <b>16x+1</b></p>
 <p><b>I</b>      <b>8x</b></p>	<p><b>M6x12MM</b></p>  <p><b>J</b>      <b>16x</b></p>	 <p><b>K</b>      <b>1x</b></p>	 <p><b>L</b>      <b>8x</b></p>
<p><b>Ø3.5x12MM</b></p>  <p><b>M</b>      <b>32x+1</b></p>	 <p><b>N</b>      <b>20x</b></p>	 <p><b>O</b>      <b>4x</b></p>	

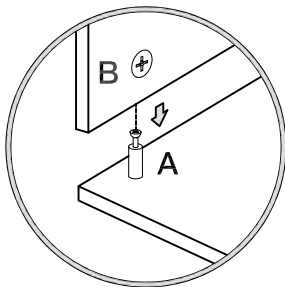
# How to use the cam lock system



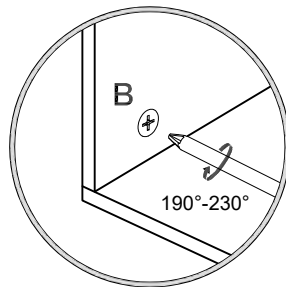
1. Screw cam bolt into panel



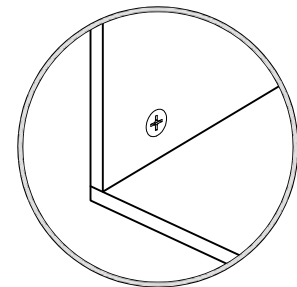
2. Push cam into panel - arrow feature on cam top points to panel edge



3. Align cam bolt(s) with cam(s) and insert all the way into cross-bored hole(s)

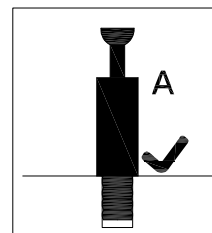
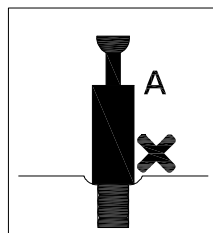
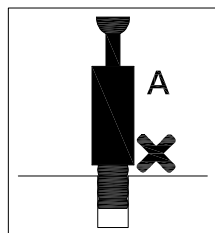
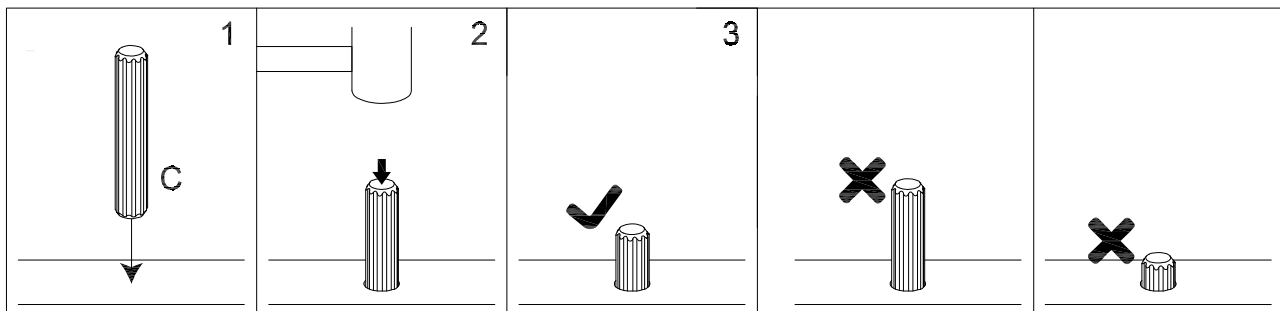


4. Rotate cam(s) clockwise 190°-230° to lock panels together



5. Panels should be tight against each other and connection should be rigid

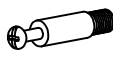
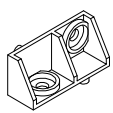
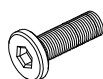

Insert the wood dowel [C] at least half way by tapping lightly with a rubber mallet, IF NECESSARY.

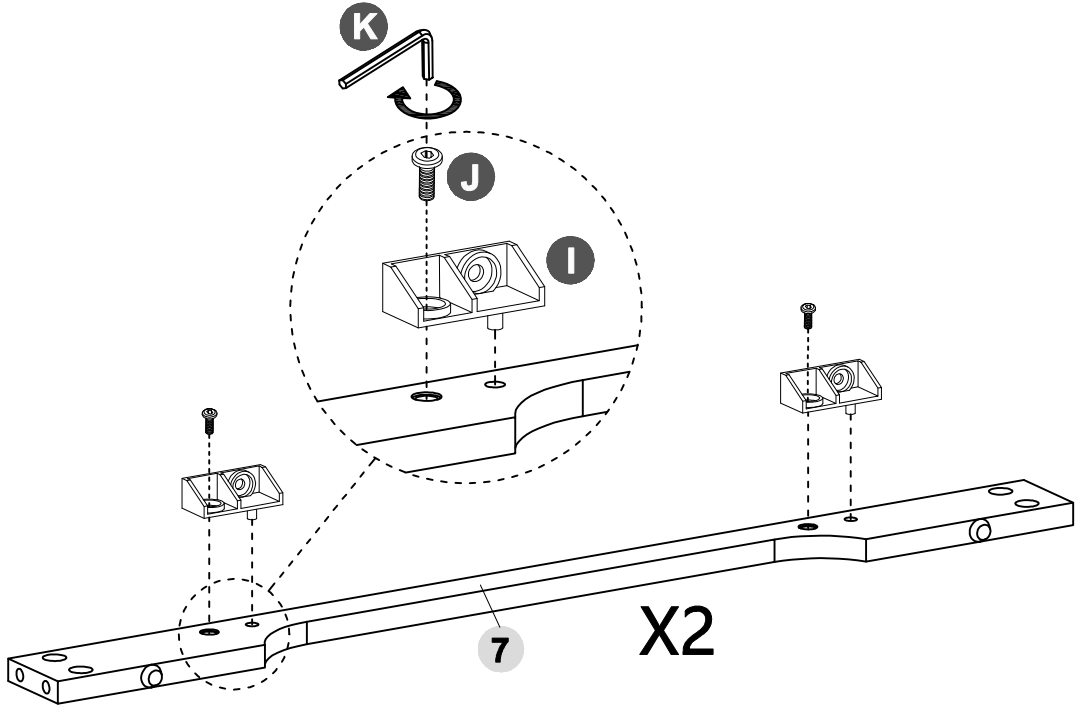
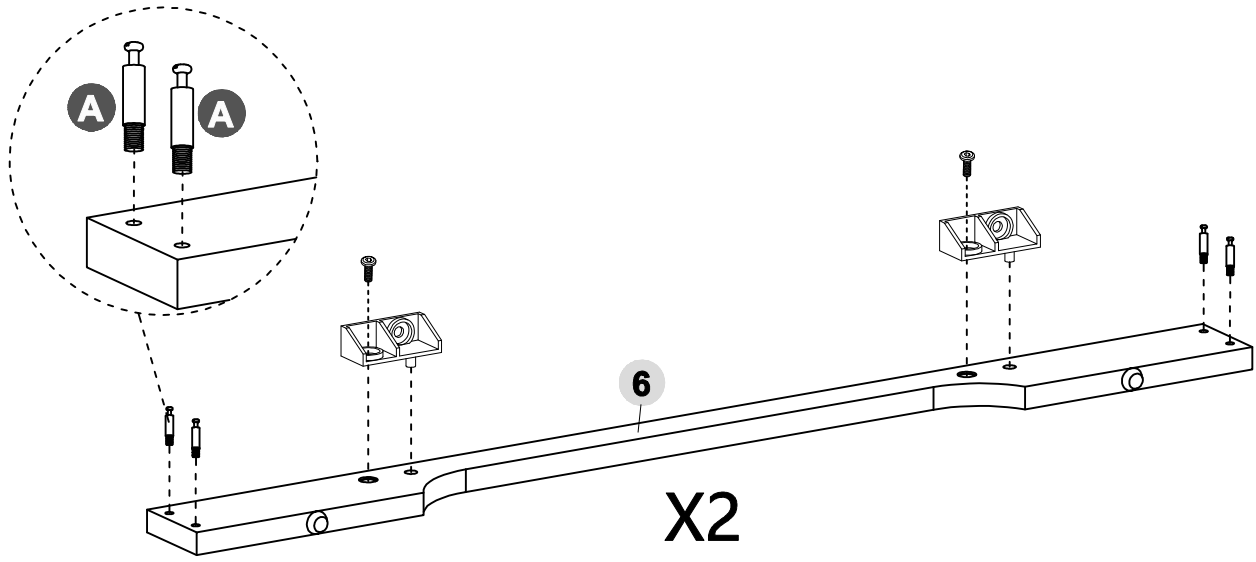


## ⚠ WARNING

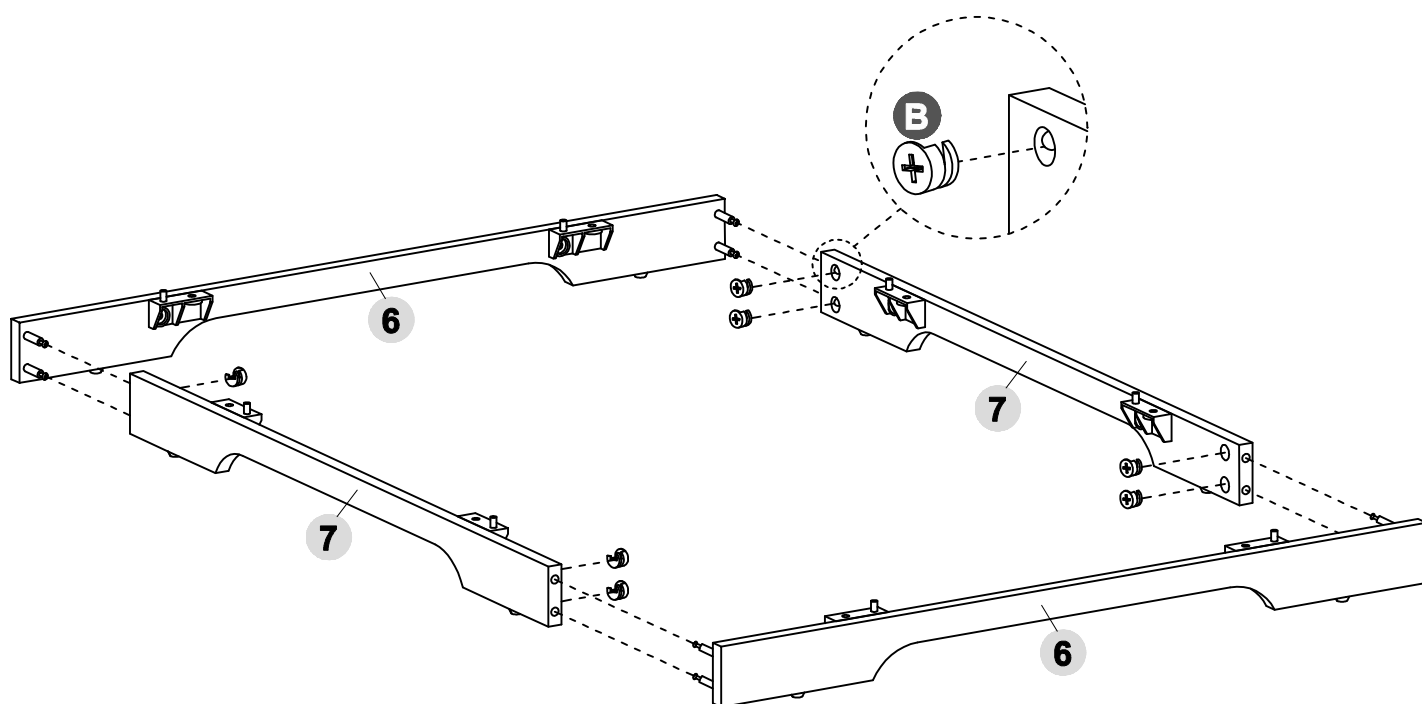
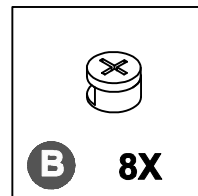
- Unit must be placed on a level surface or leveled with included hardware (when applicable).
- Do not sit or stand on or allow children to climb, sit or stand on the assembled product.
- For safety reasons, it is imperative that this unit be mounted to the wall.
- Do not use without installing the tip restraint.
- Unit can tip over causing severe injury or death.
- Do not exceed the recommended weight limits.
- Evenly distribute the weight on each level and always keep the heavier loads on the bottom.
- Before cutting, drilling or hammering into any wall or floor surface, verify the location of electrical, plumbing and gas lines. Cutting may cause serious injury.

# STEP 1

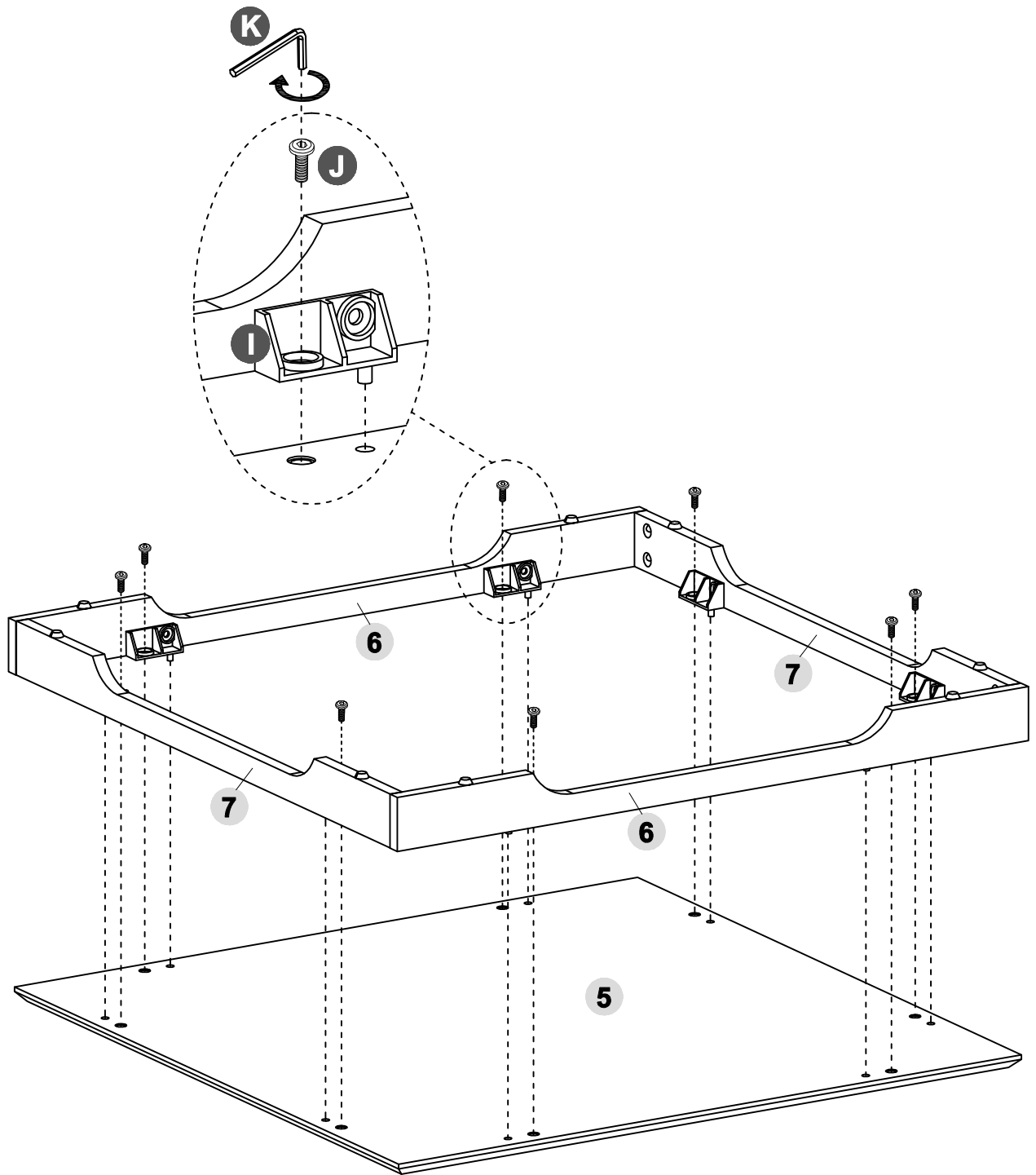
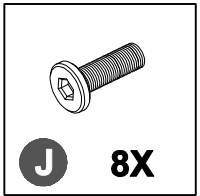
			
<b>A</b> 8X	<b>I</b> 8X	<b>J</b> 8X	<b>K</b> 1X






# STEP 2

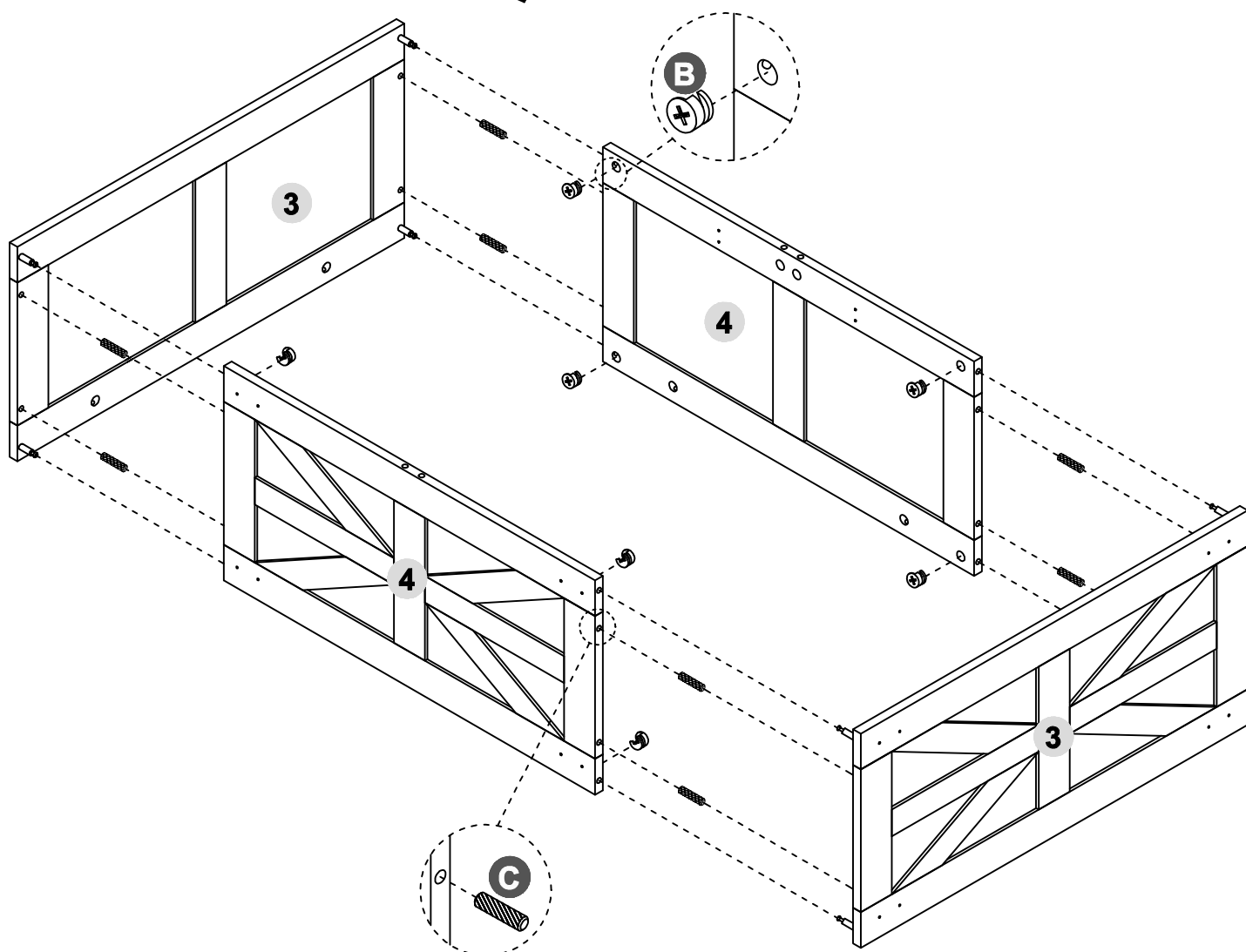
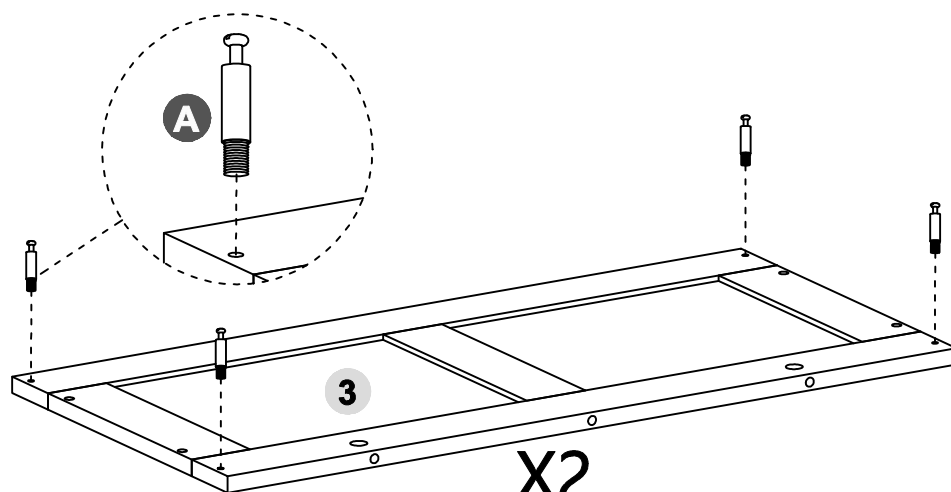


# STEP 3

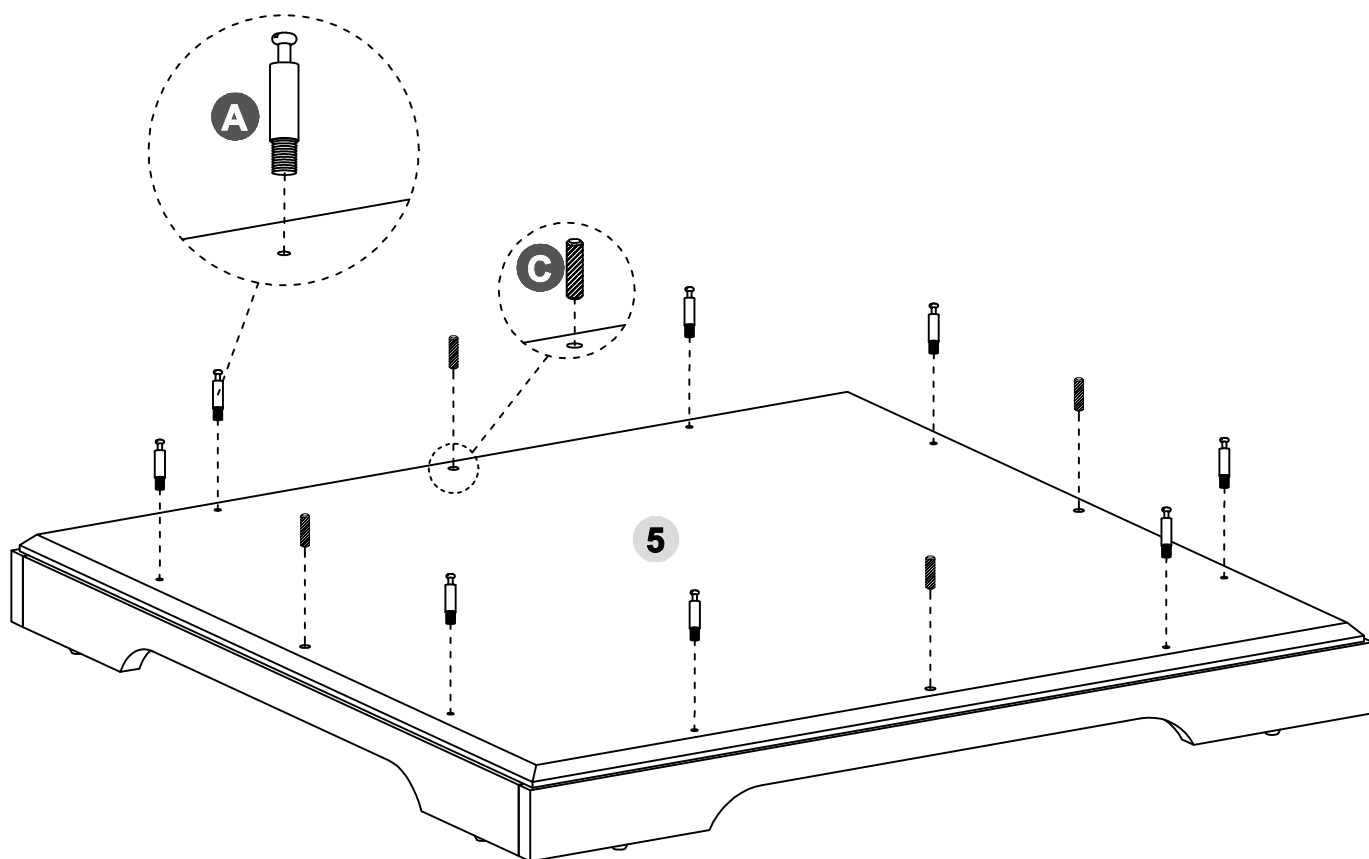
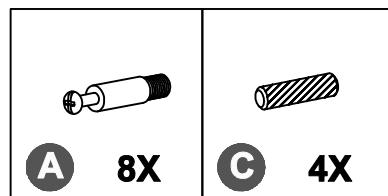


# STEP 4

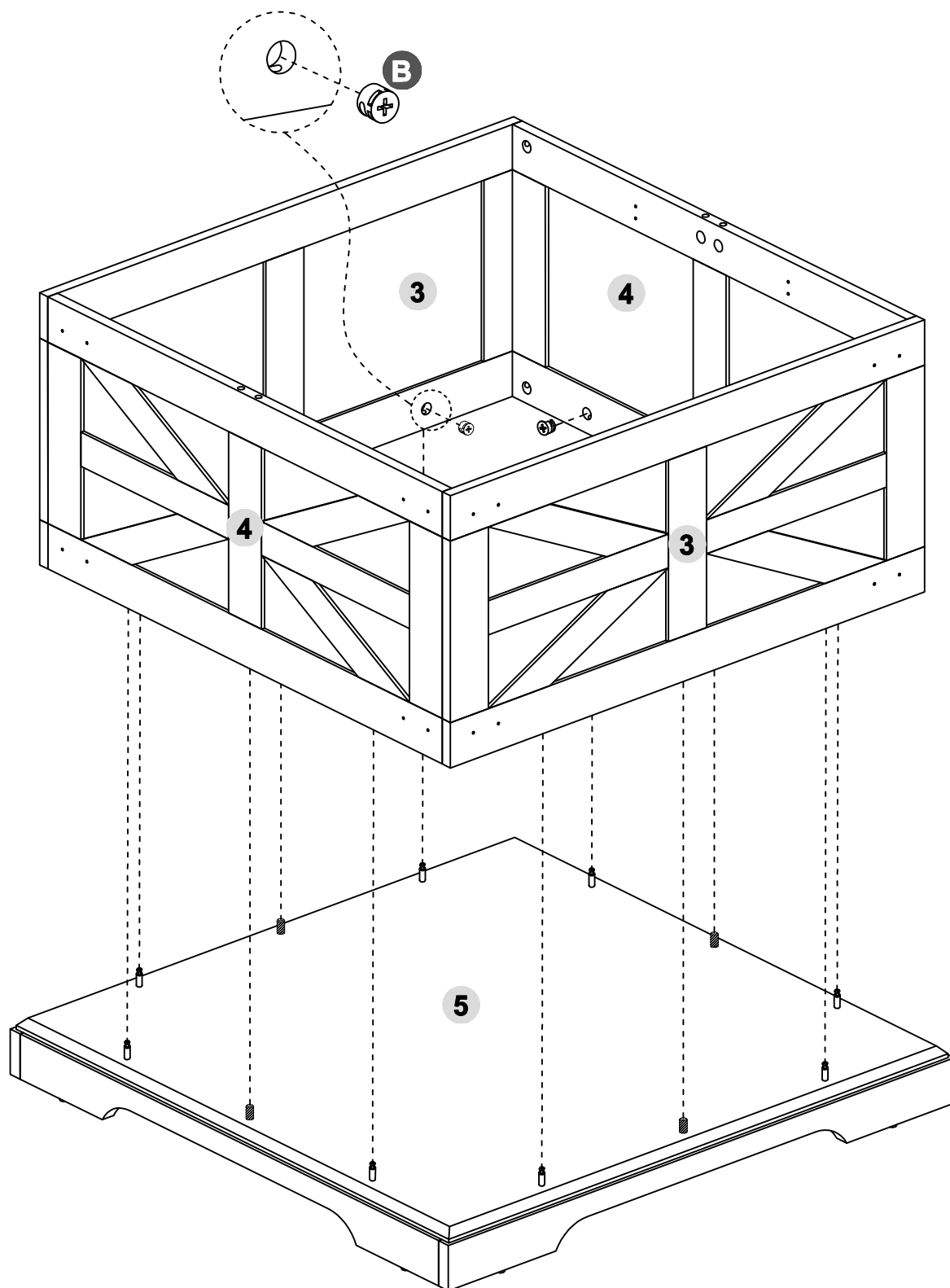
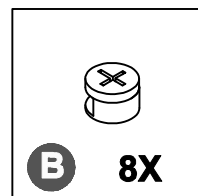
		
<b>A</b> 8X	<b>B</b> 8X	<b>C</b> 8X



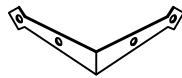
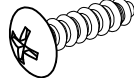
# STEP 5

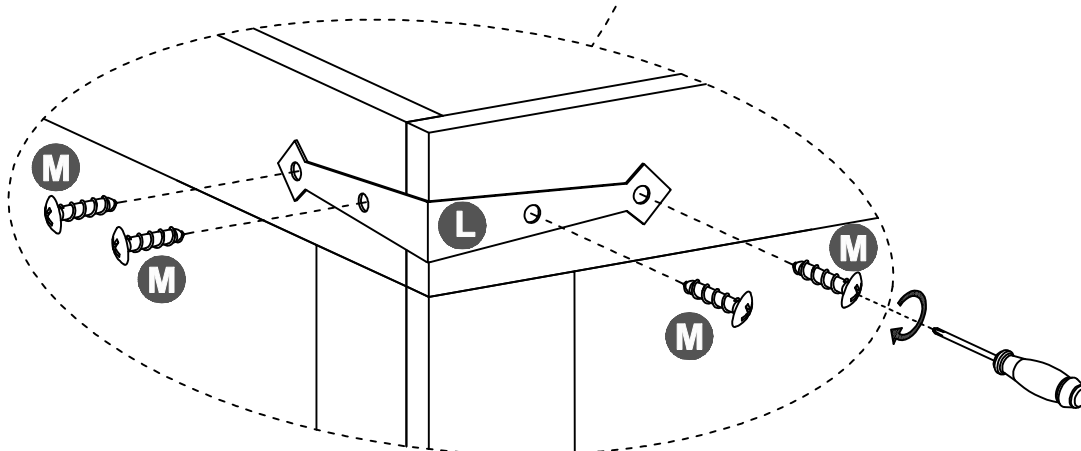
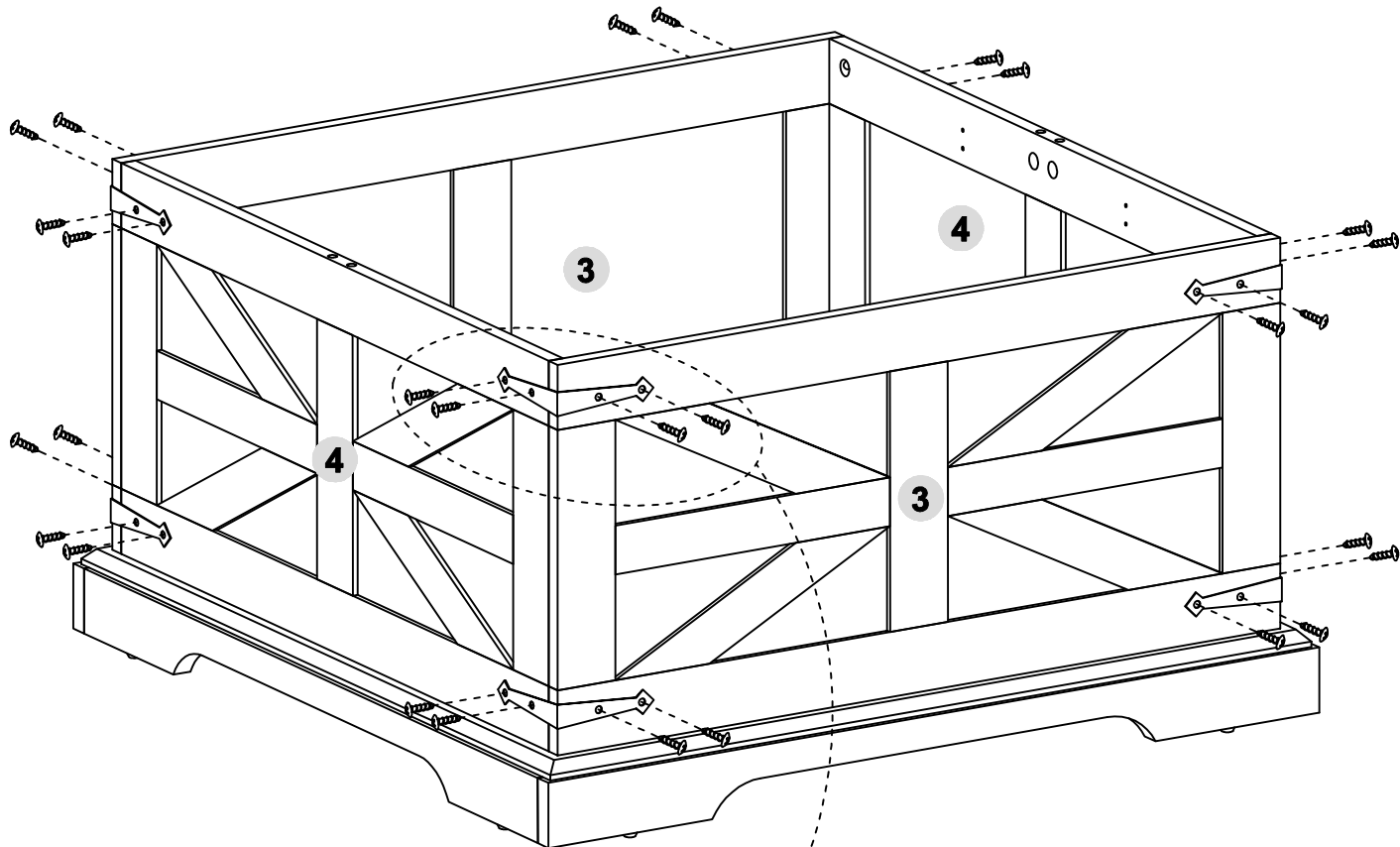


# STEP 6

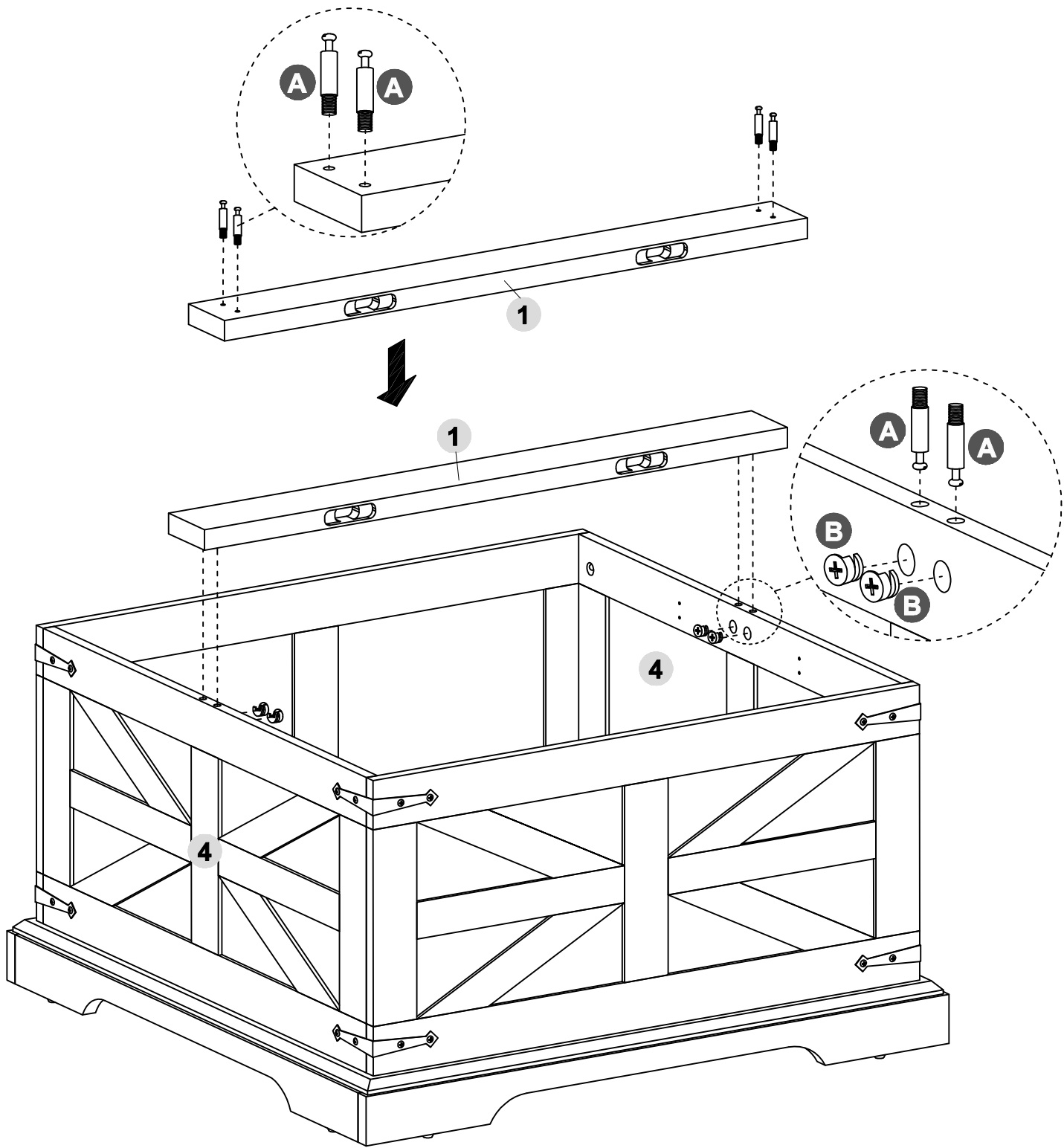
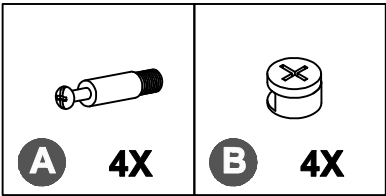


# STEP 7

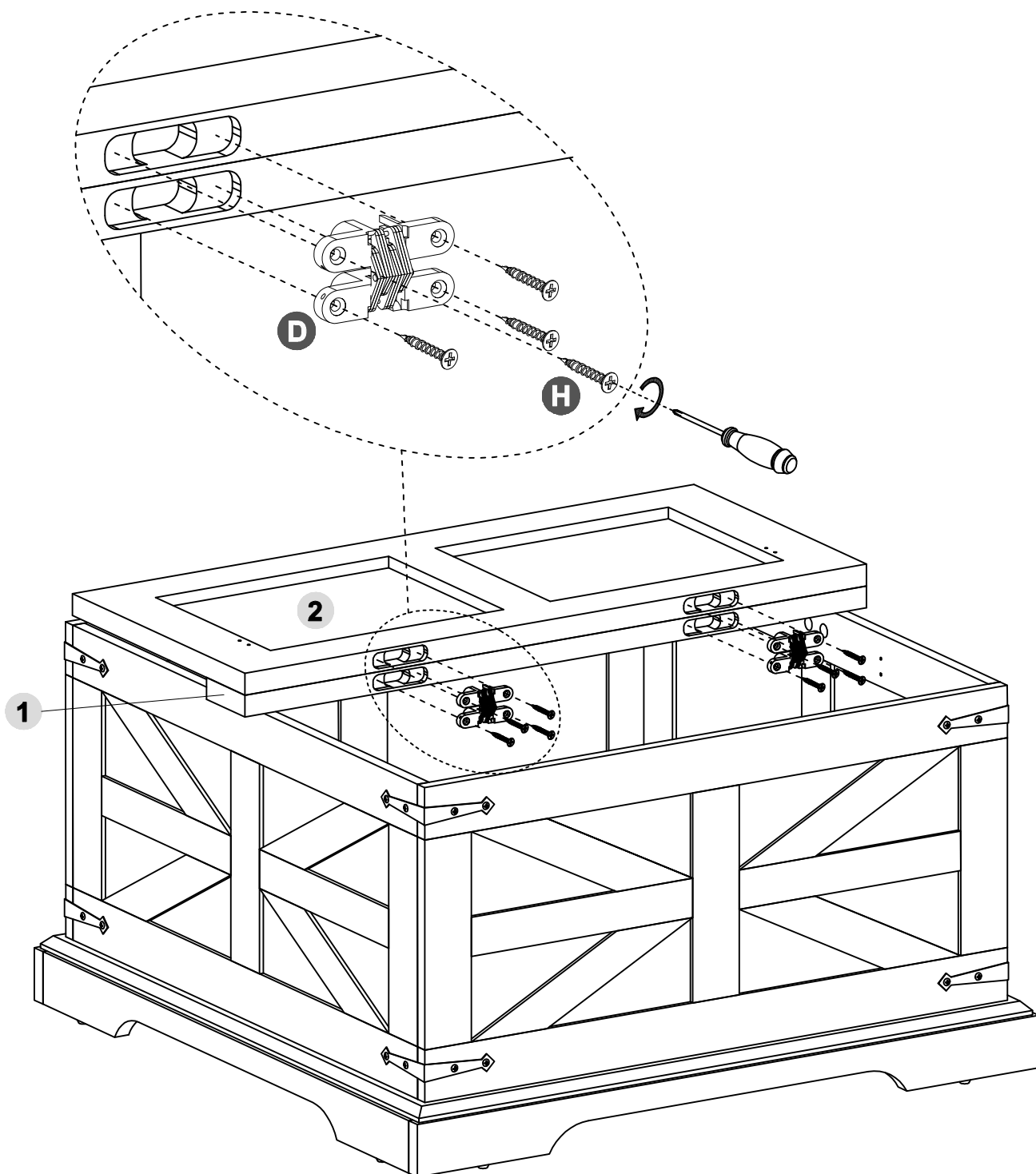
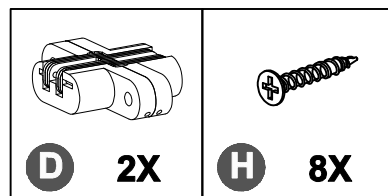
	
<b>L</b> 8X	<b>M</b> 32X



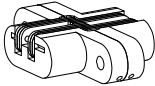

# STEP 8

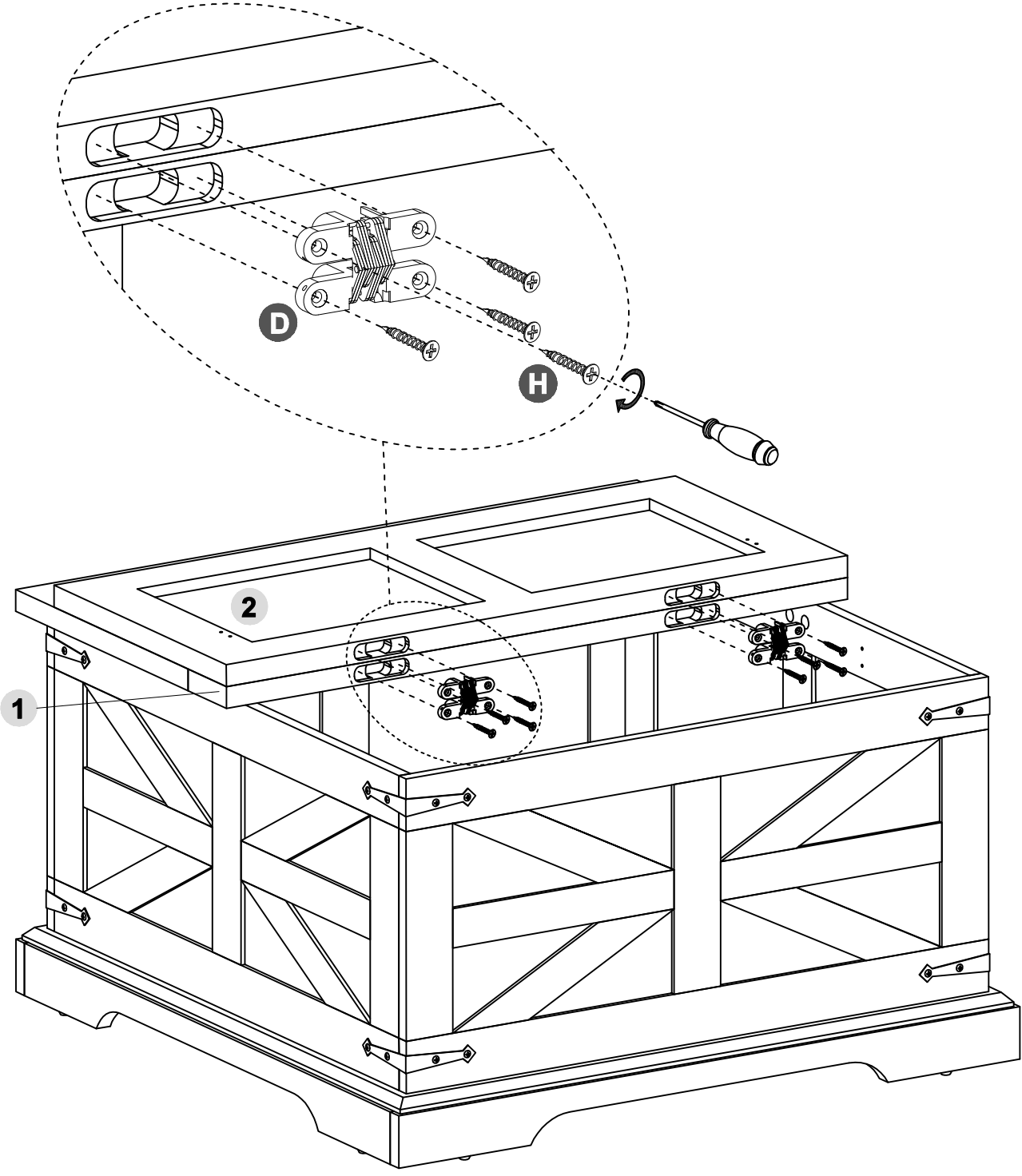


# STEP 9

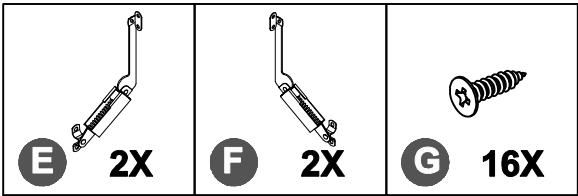


# STEP 10

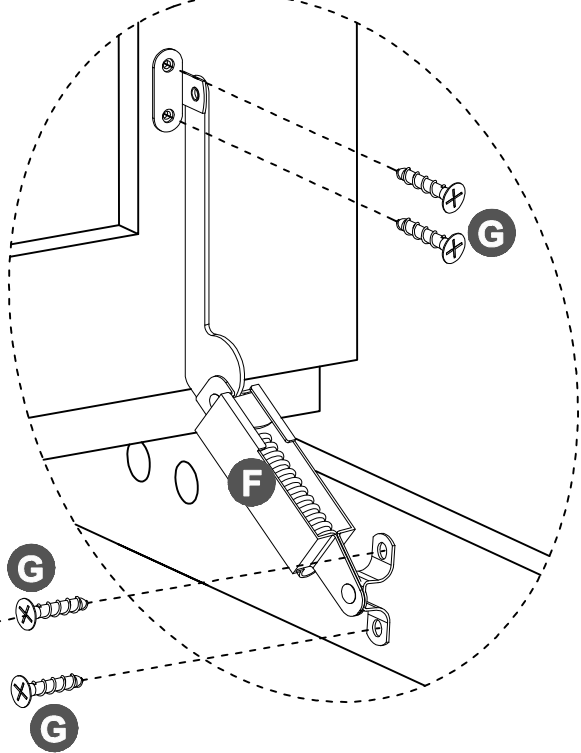
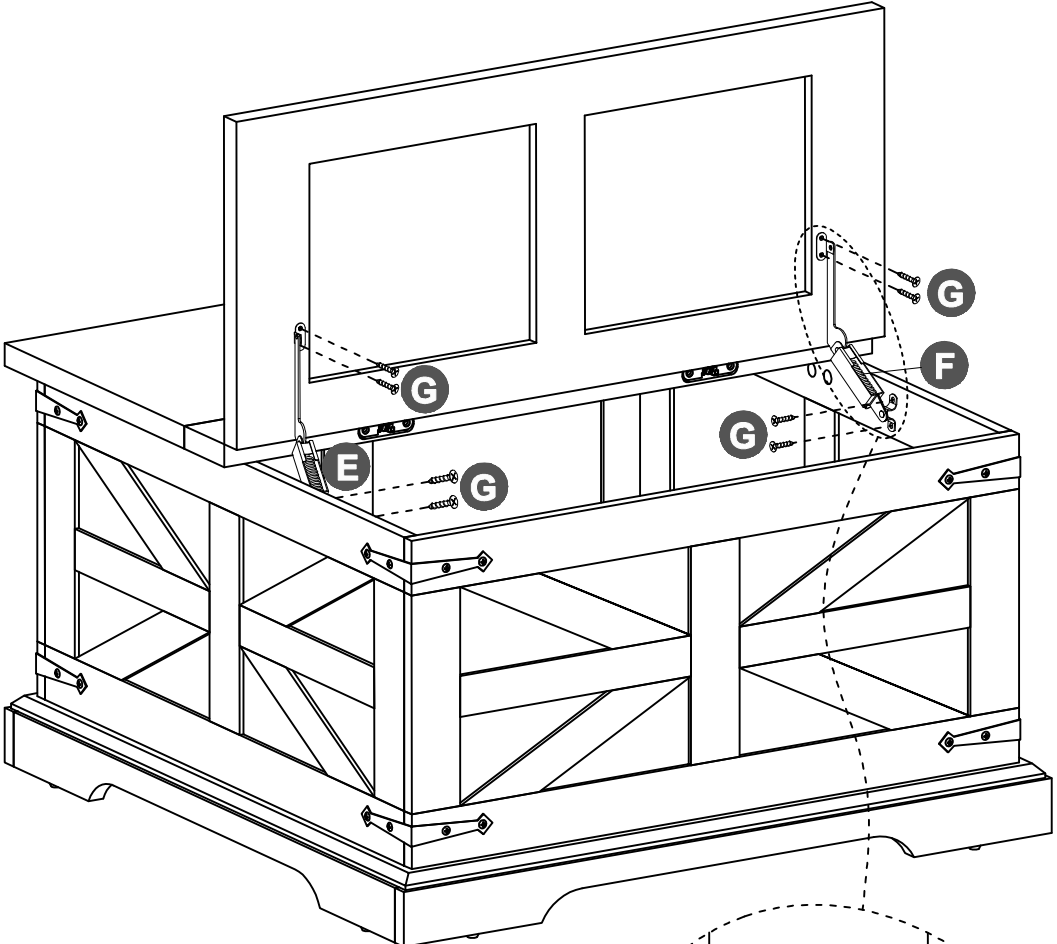
	
<b>D</b> 2X	<b>H</b> 8X



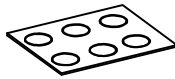
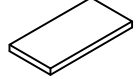
# STEP 11

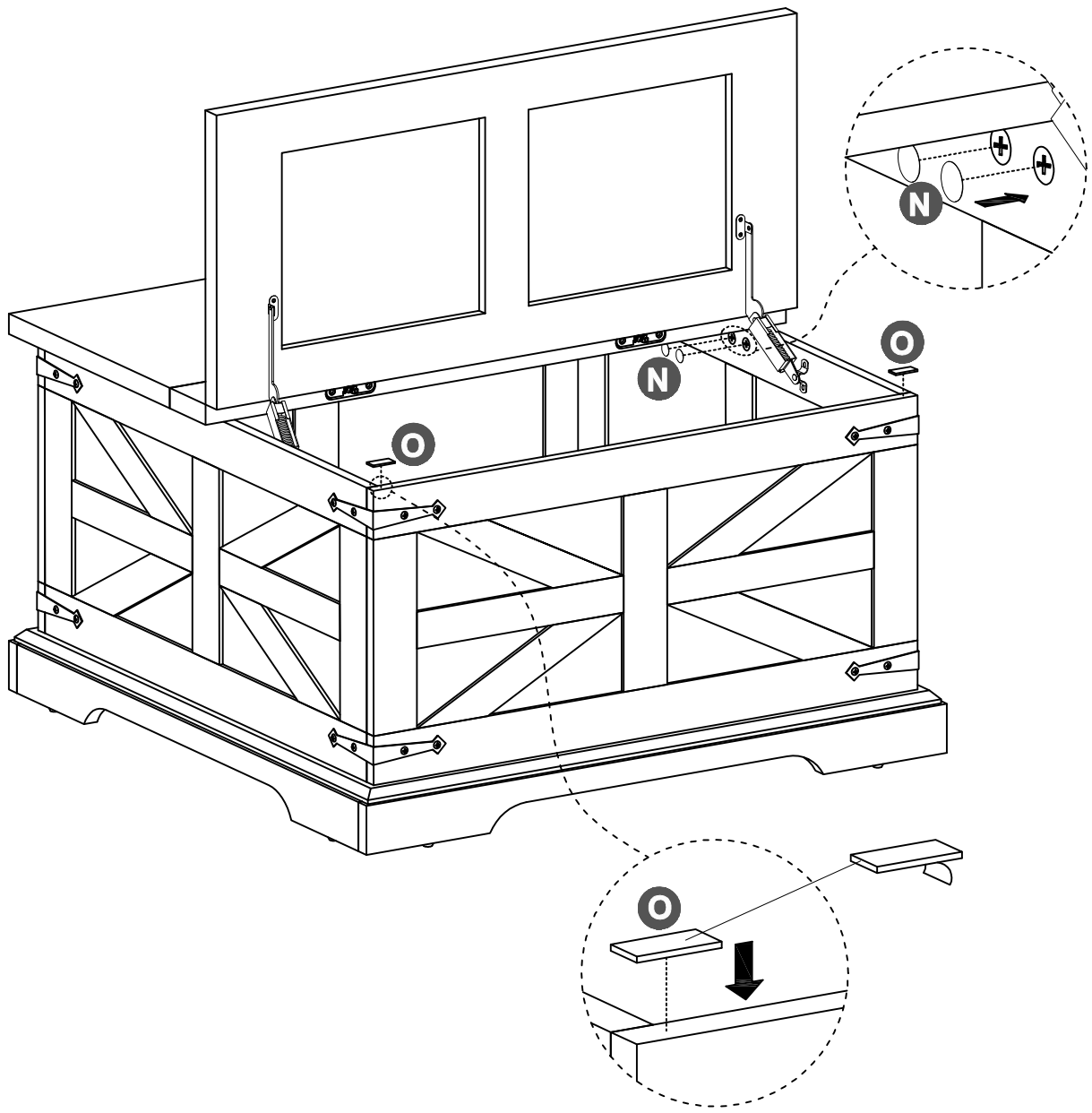


**NOTICE: Install another board 2 in the same way**

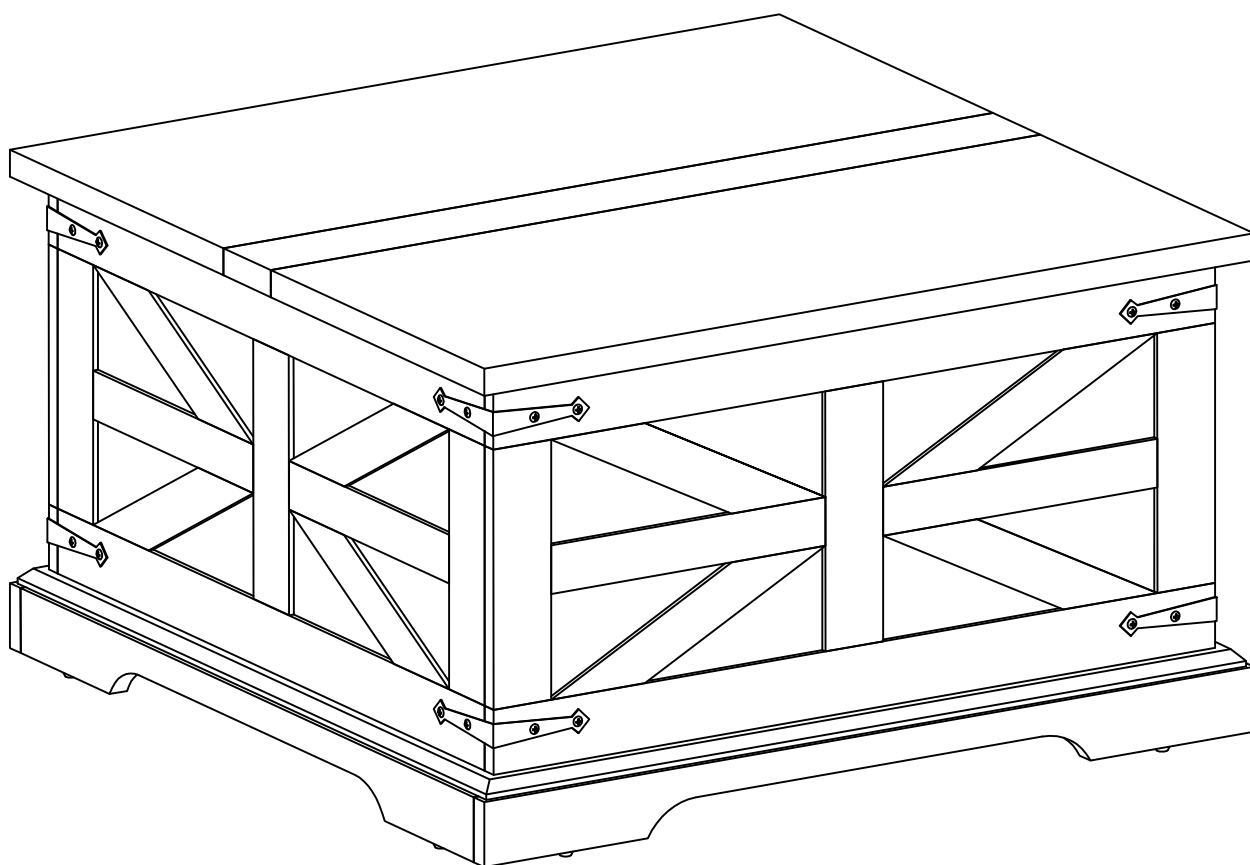


# STEP 12

	
<b>N 20X</b>	<b>O 4X</b>



**STEP 13**



**Congratulations on doing it.**