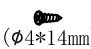

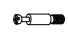
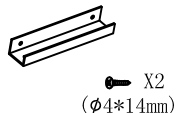






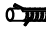
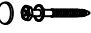

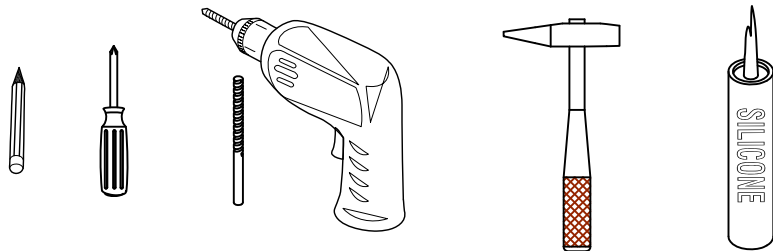


Item NO.: ELRP47W901

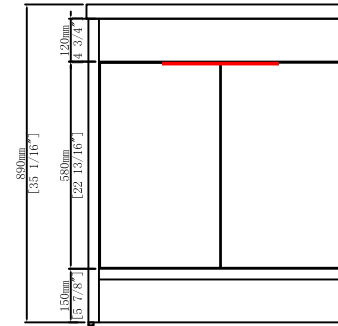
Hardware

NO.	Draw	QTY	NO.	Draw	QTY
A	 (Ø4*14mm)	48	I		3
B		28	K	 X2 (Ø4*14mm)	2
C		28	L		4
D		4	N		4
E		2	O		4
F		2	P		2
G		2			
H		2			

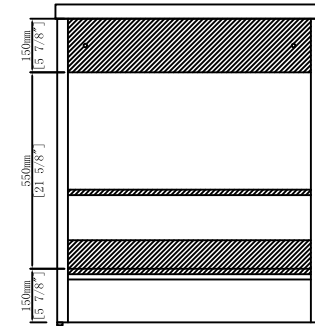
Recommended tools



Dimensions



Front View

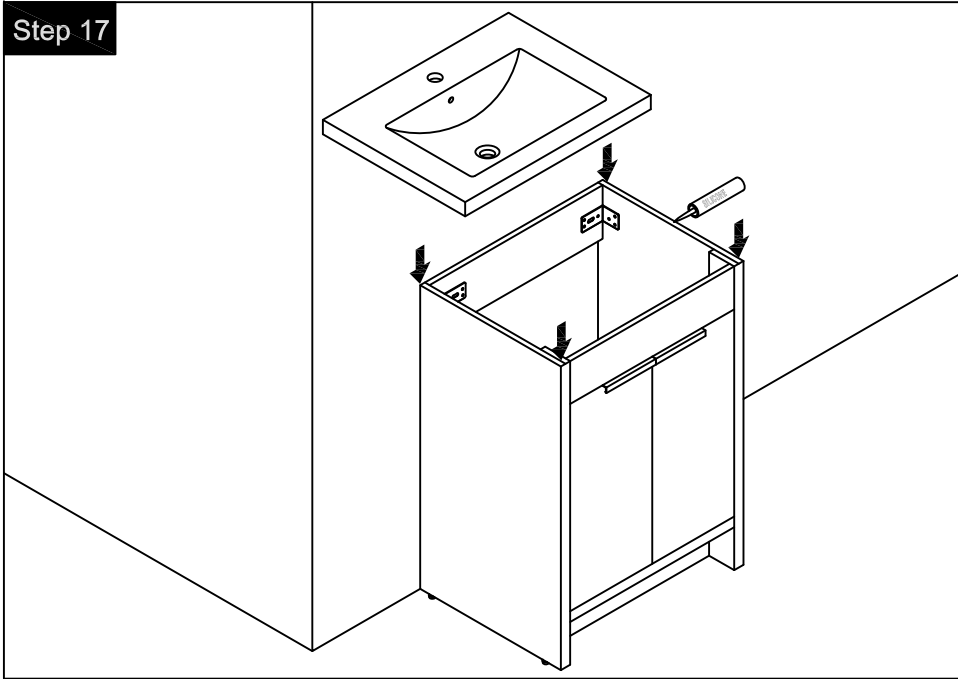


Back View

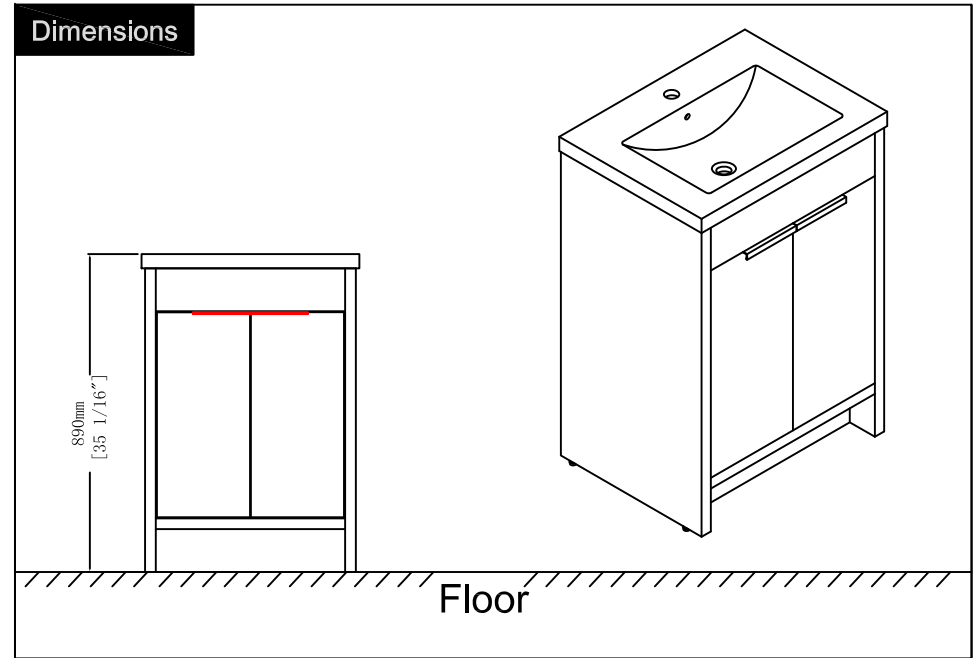
CARE CLEANING AND MAINTENANCE

1. Dust regularly with a soft , dry cloth.
2. Avoid the use of all chemicals household cleaners, abrasives, or cleaners that contain lemon, vinegar, or other acids that may damage the finish.
3. Excessive exposure to sunlight and extreme changes in temperature and moisture can damage wood furniture.
4. The sink top is resilient, but care needs to be taken to preserve its appearance.
5. Do not place hot appliances, such as curling irons and hot hair dryers directly on the countertop. Wipe spills immediately.

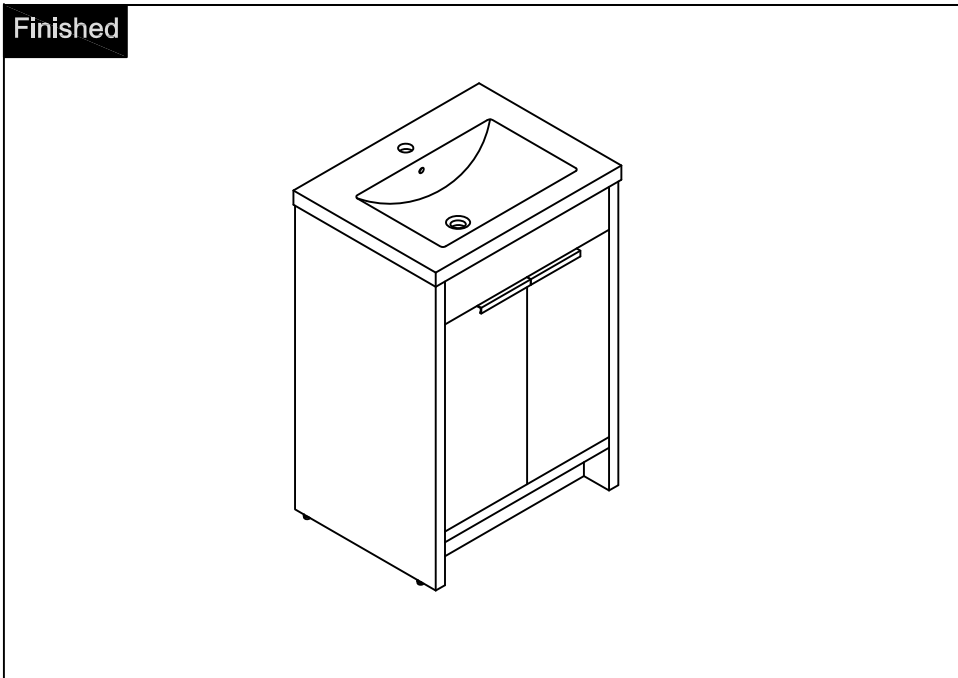
Step 17



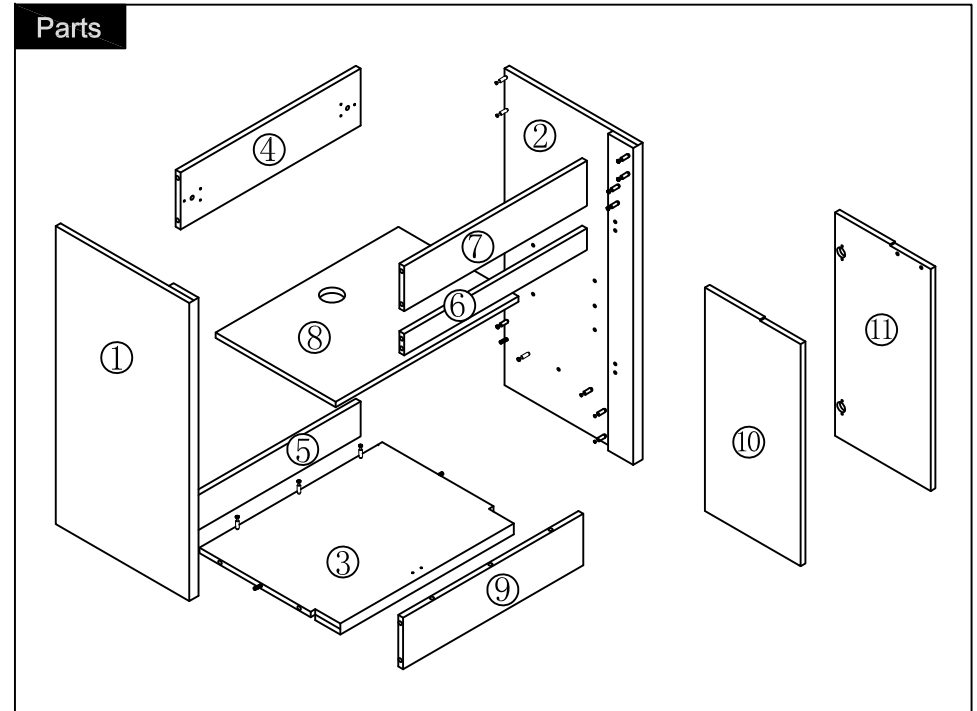
Dimensions




Finished




Parts



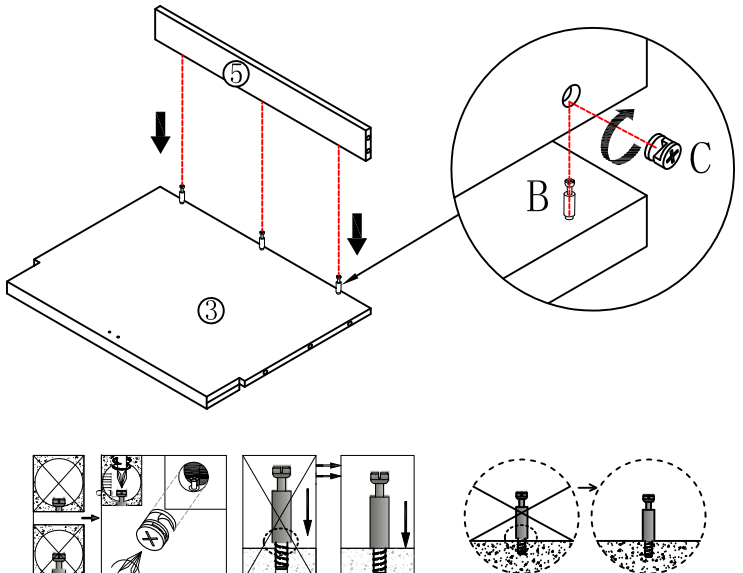
Step 1

 x3

C


 x3

B

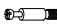


Notes: Screw installation depth as shown

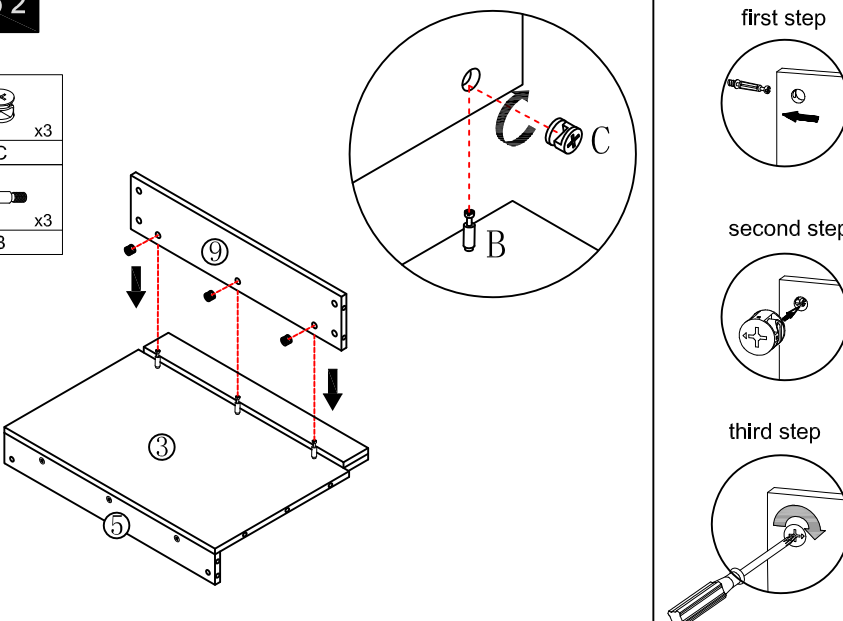
Step 2

 x3

C

 x3

B




first step

second step


third step

Step 13

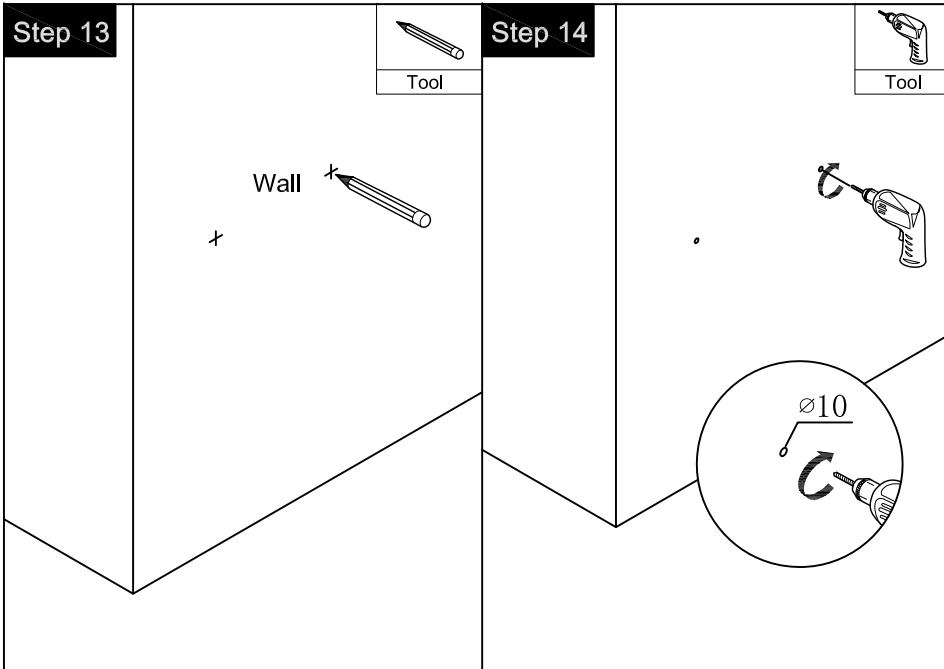


Tool


Step 14



Tool

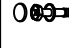


Step 15

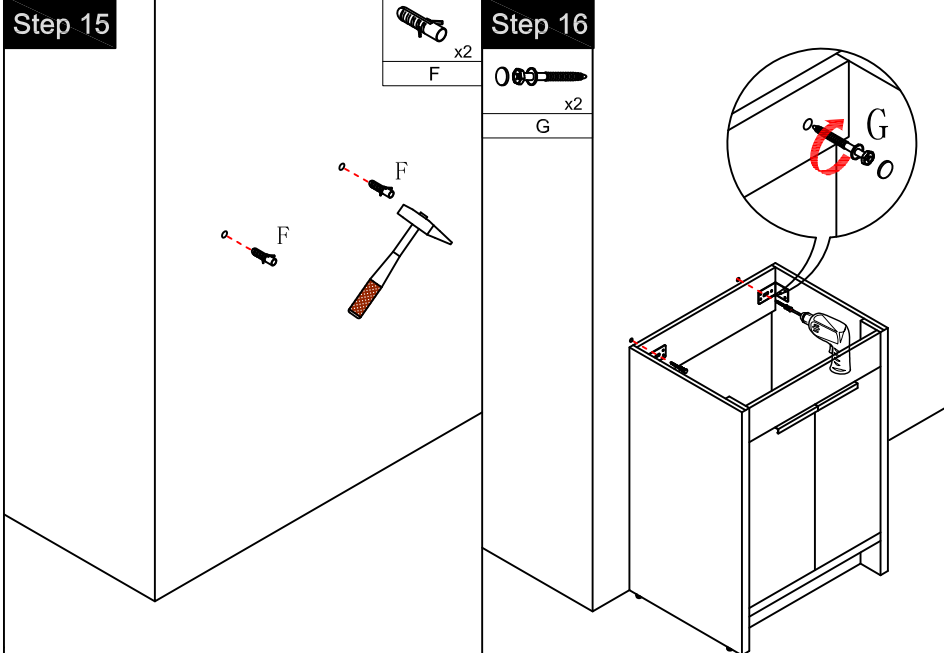
 x2

F



Step 16

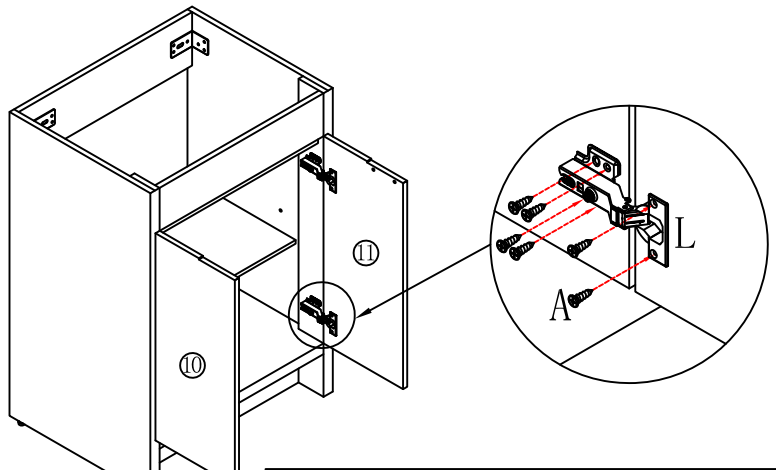
 x2

G

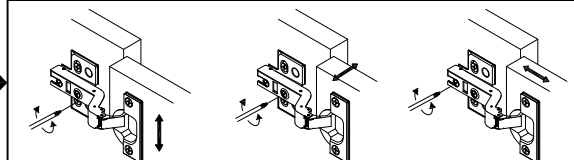


Step 11

	x4
L (Ø4 x 14mm)	
	x24
A	

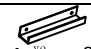
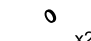


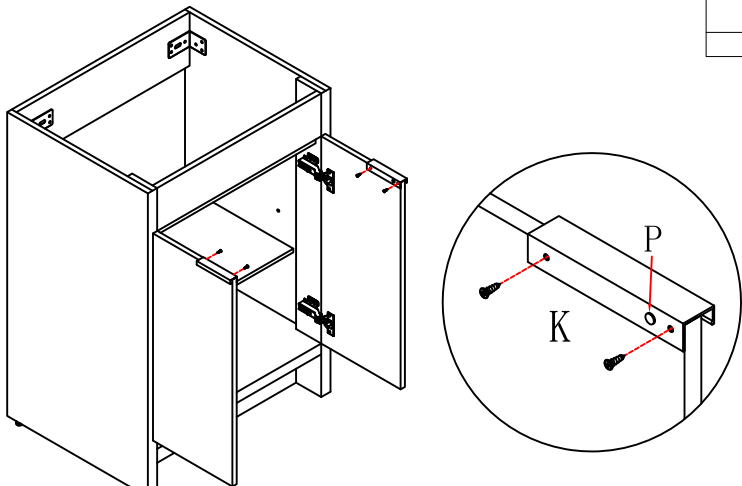
You can adjust the doors by tightening or loosening the screws on the hinge.




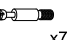
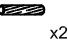
Step 12

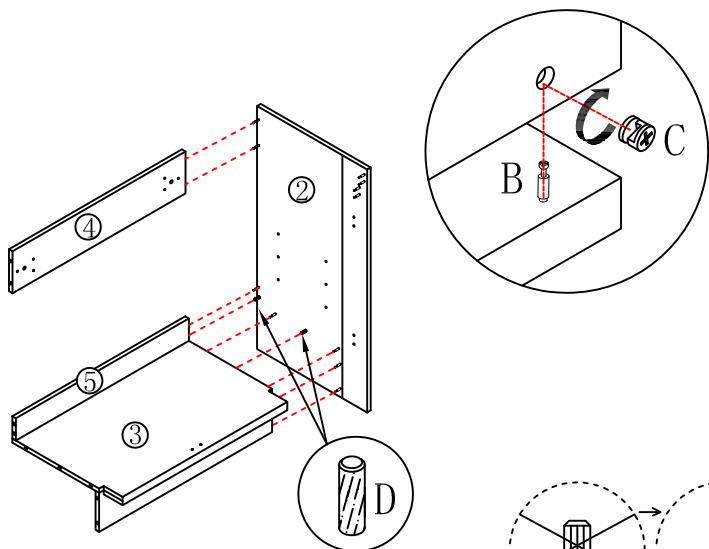
Congratulations!
Completing the step,
the cabinet base has been assembled

	x2
K	
	x2
P	




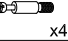
Step 3

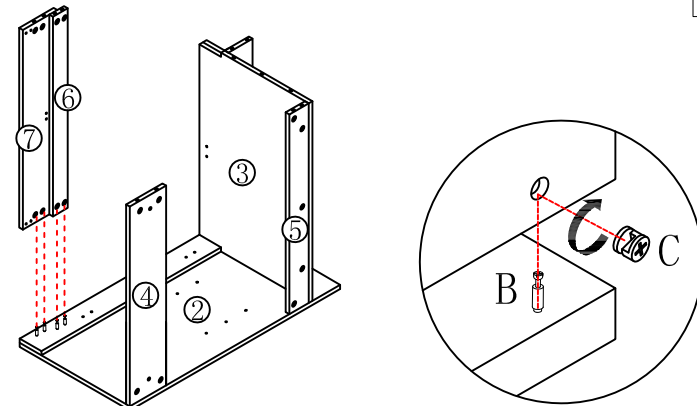
	x7
C	
	x7
B	
	x2
D	



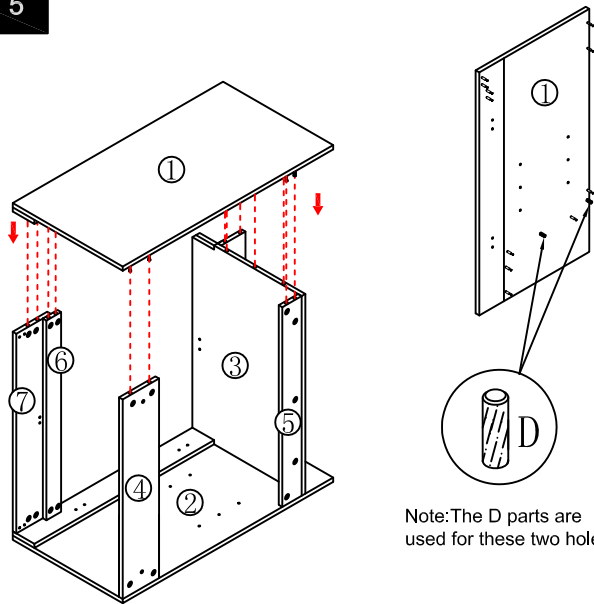
Note: The D parts are used for these two holes

Step 4


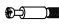

	x4
C	
	x4
B	



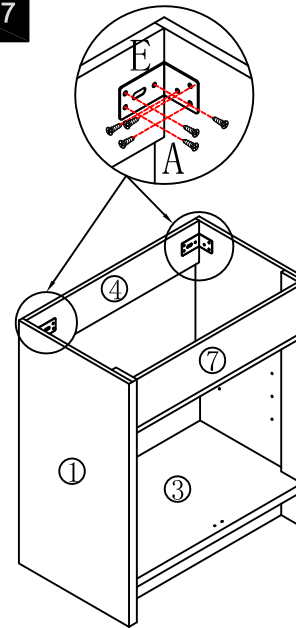
Step 5





Note: The D parts are used for these two holes

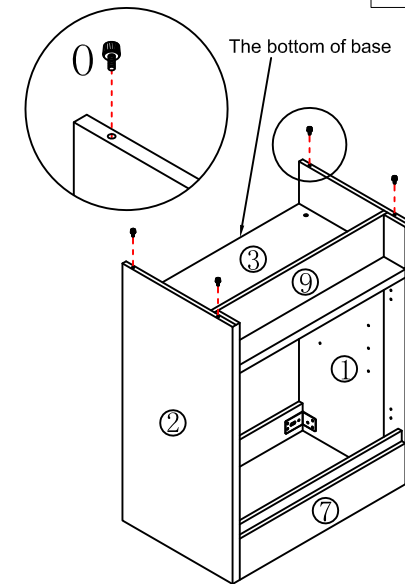
	x11
C	
	x11
B	
	x2
D	

Step 7



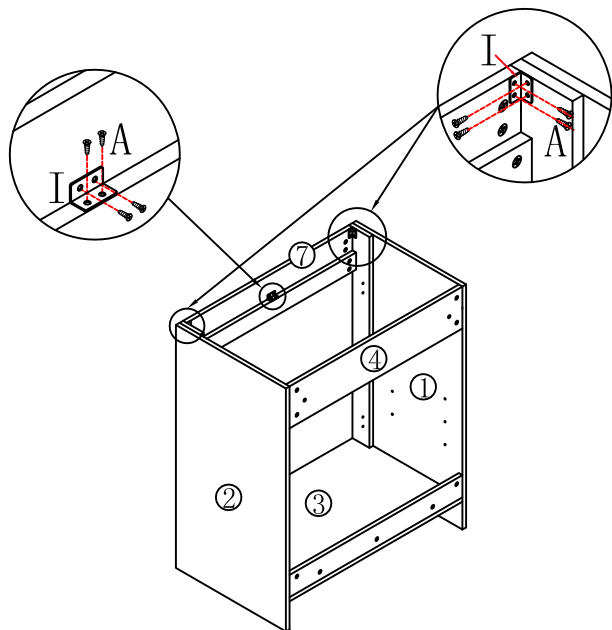
	x2
E	
($\varnothing 4 \times 14\text{mm}$)	
	x12
A	



Step 8



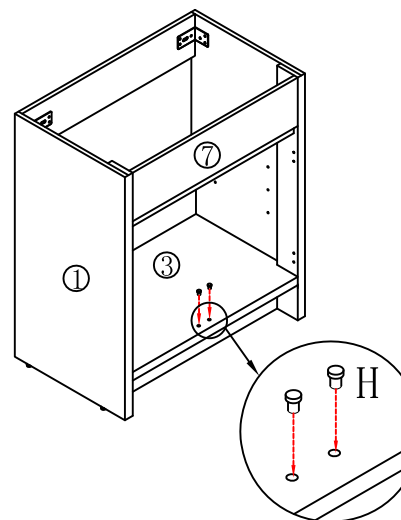
	x4
O	

Step 6



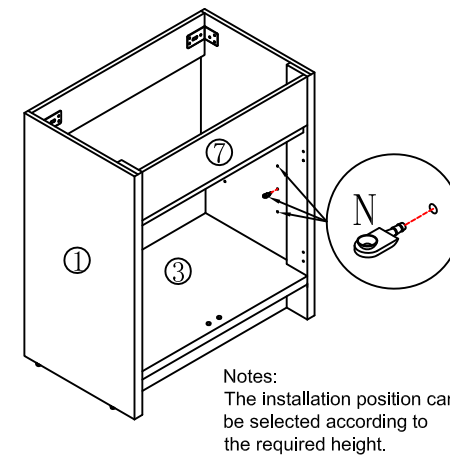
	x3
I	
($\varnothing 4 \times 14\text{mm}$)	
	x12
A	

Step 9



	x2
H	

Step 10



	x4
N	

Notes:
The installation position can be selected according to the required height.