

ASSEMBLY INSTRUCTIONS

ITEM # : ELRZX14401

Thank you for purchasing this quality Product. Be sure to check all packing material carefully for small parts, which may have come loose inside carton during shipment. identify and count all parts and compare with the parts list below.



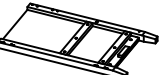



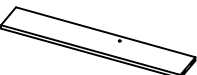

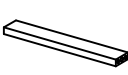
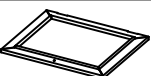



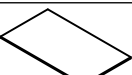




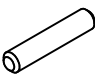









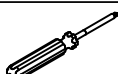
ASSEMBLY INSTRUCTION:

1. Remove hardware from box and sort by size.
2. Please check to see that all hardware and parts are present prior start of assembly.
3. Please follow attached instruction in the same sequence as numbered above fast and easy assembly.

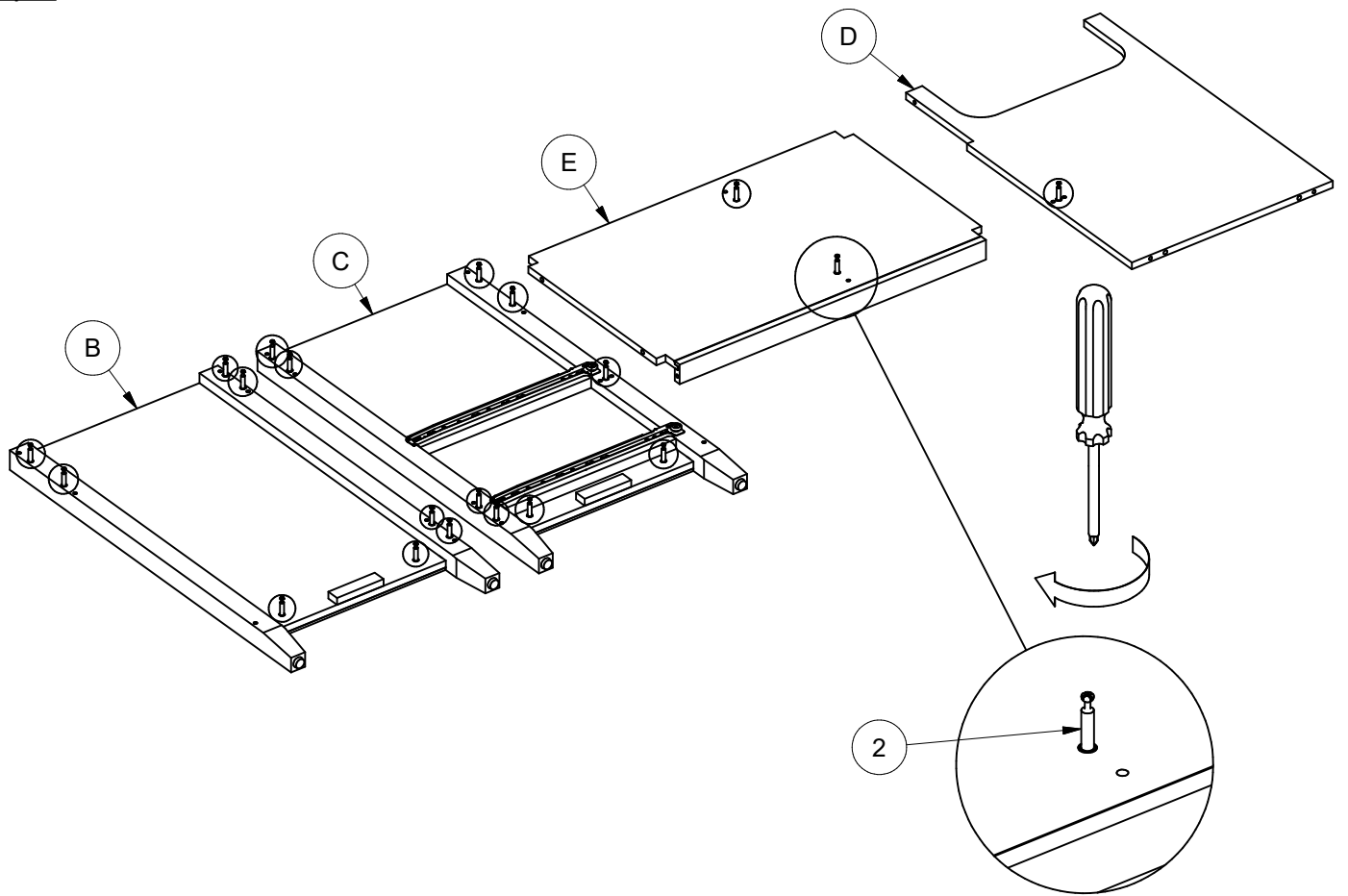
WARNING!

1. Don't attempt to repair or modify parts that are broken or defective. Please contact the store immediately.
2. This product is for home use only and not intended for commercial establishments.
3. Two persons are required for assembly.
4. Approximate assembly time 1/2 hours.
5. Component parts and fittings contained in the box. Please sort out all parts before you begin to assemble the item. This is to make sure you always use the correct part.
6. It is **STRONGLY RECOMMENDED** that you **ANCHOR** this product to a wall. Tipping furniture can cause serious injuries and death. To prevent your furniture from tipping forward it is strongly recommended that you securely attach this product to a wall or other solid surface, using the anchor straps provided appropriate fixings.

No.	Component	Q'ty
A	 Sink	1
B	 Side Panel-Left	1
C	 Side Panel-Right	1
D	 Middle Panel	1
E	 Bottom	1
F	 Fake drawer	1
G	 Back Panel	1
H	 Back Panel	1
I	 Front Rail	1
K	 Door	1
L	 Drawer Front	2
M	 Drawer Side	4
N	 Drawer Back	2
O	 Drawer Bottom	2

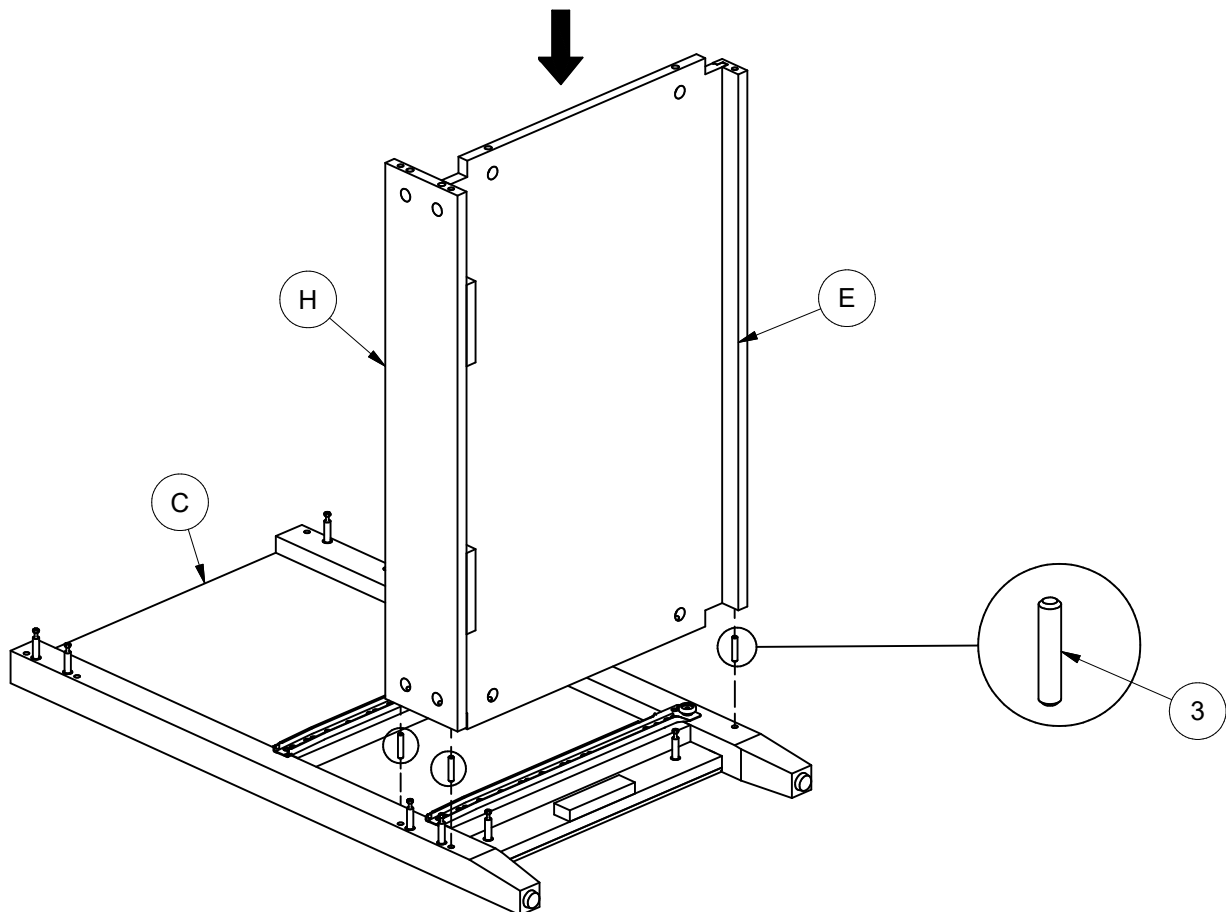
No.	Hardware	Q'ty
1	 Cam Lock	20
2	 Cam Lock Screw	20
3	 Wooden	38
4	 Angle Bracket	2
5	 Screws $\varnothing 3.5 \times 12$	8
6	 Knob	5
7	 Screws $\varnothing 4 \times 20$	3
8	 Screws $\varnothing 4 \times 25$	2
9	 Screws $\varnothing 3 \times 15$	4
10	 Screws $\varnothing 4 \times 25$	16
11	 Door Magnet	1
12	 Screws $\varnothing 3.5 \times 15$	2
	 Not Included	

Step 1



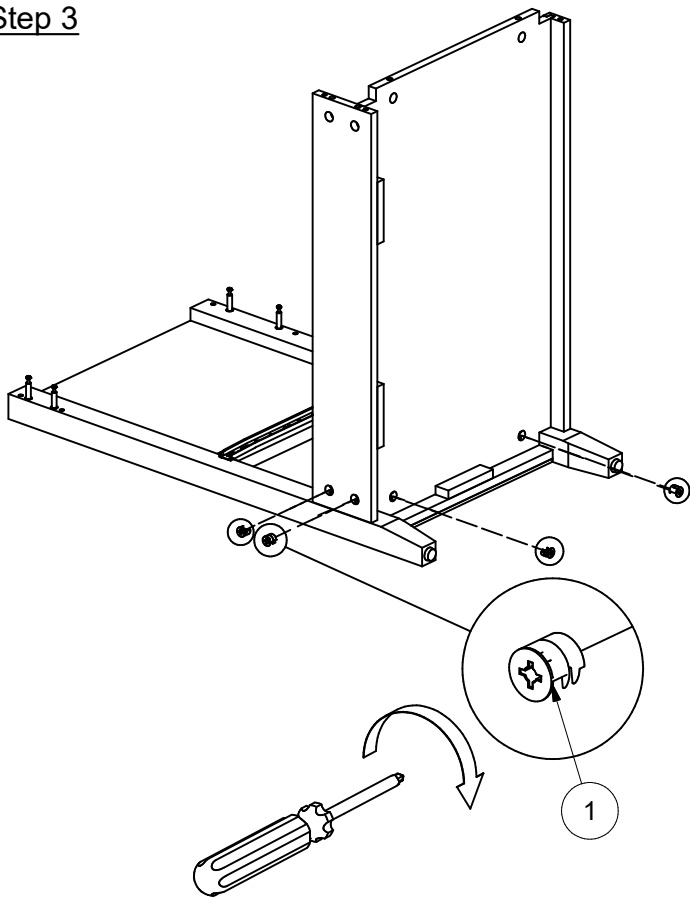
No	Hardware	Q'ty
2	Cam lock Screw	20

Step 2



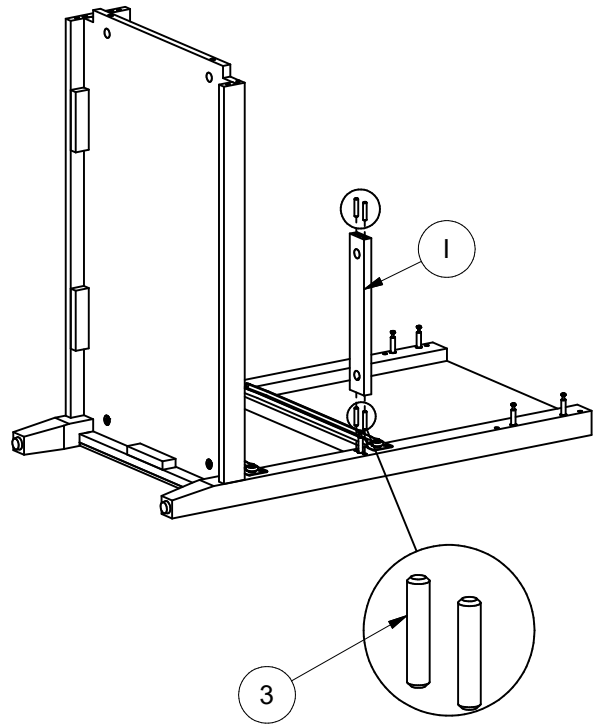
No	Hardware	Q'ty
3	Wooden	3

Step 3



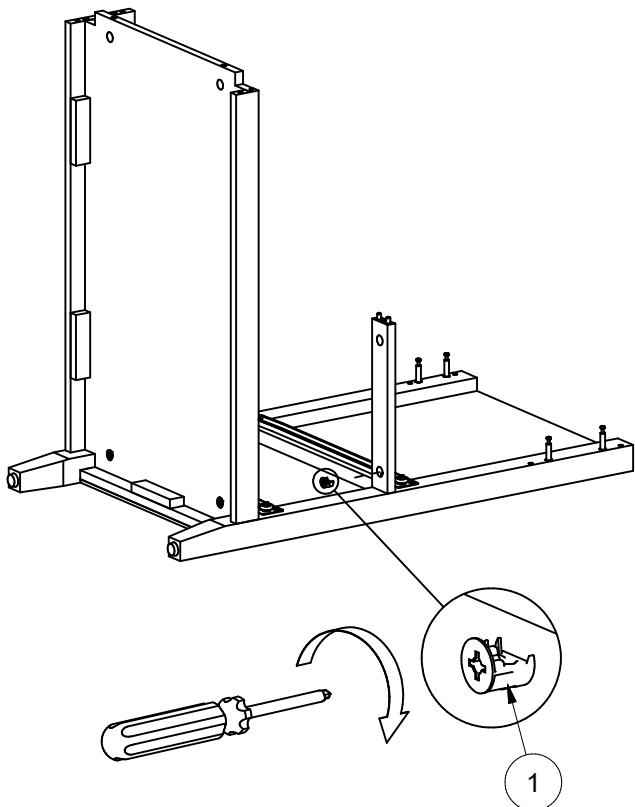
No	Hardware	Q'ty
1	Cam Lock	4

Step 4



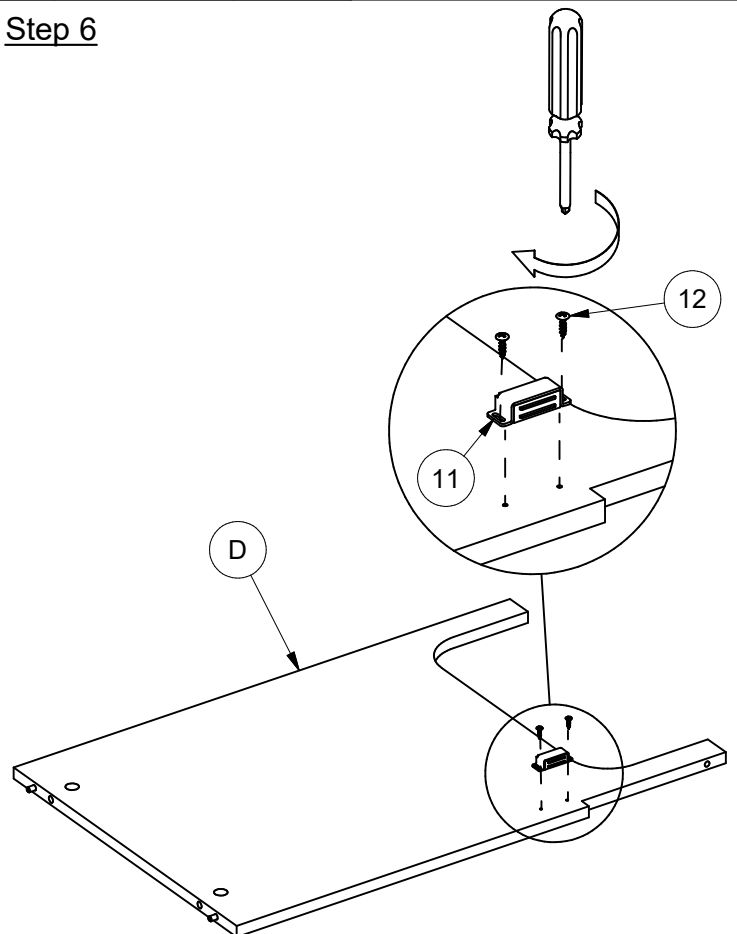
No	Hardware	Q'ty
3	Wooden	4

Step 5



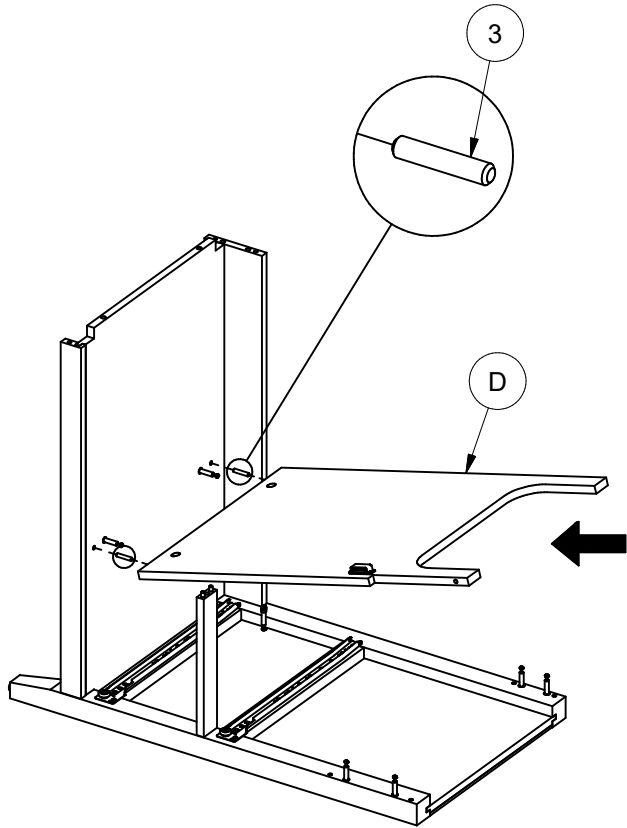
No	Hardware	Q'ty
1	Cam Lock	1

Step 6



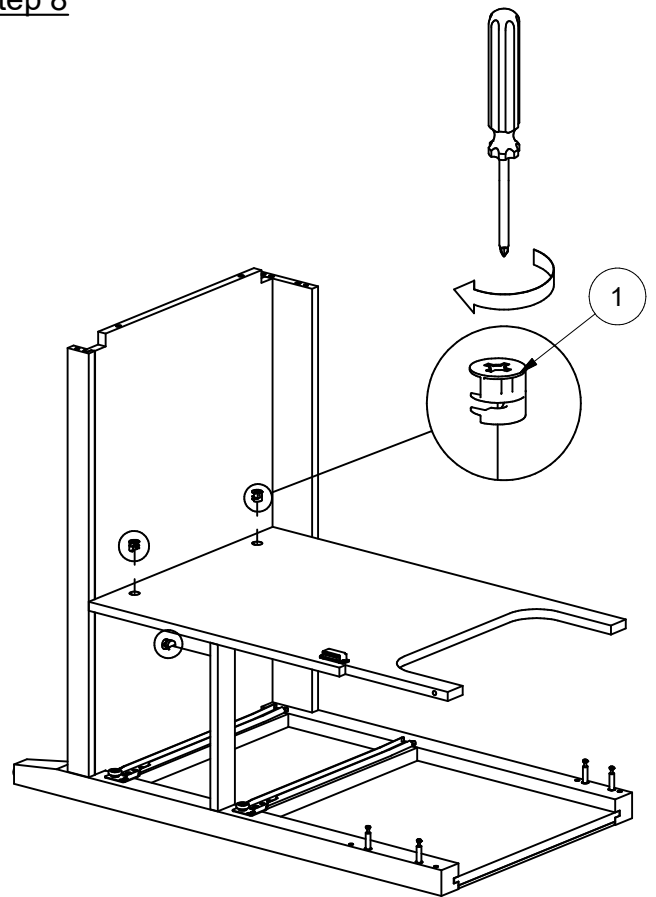
No	Hardware	Q'ty
11	Door Magnet	1
12	Screws 3.5x15	2

Step 7



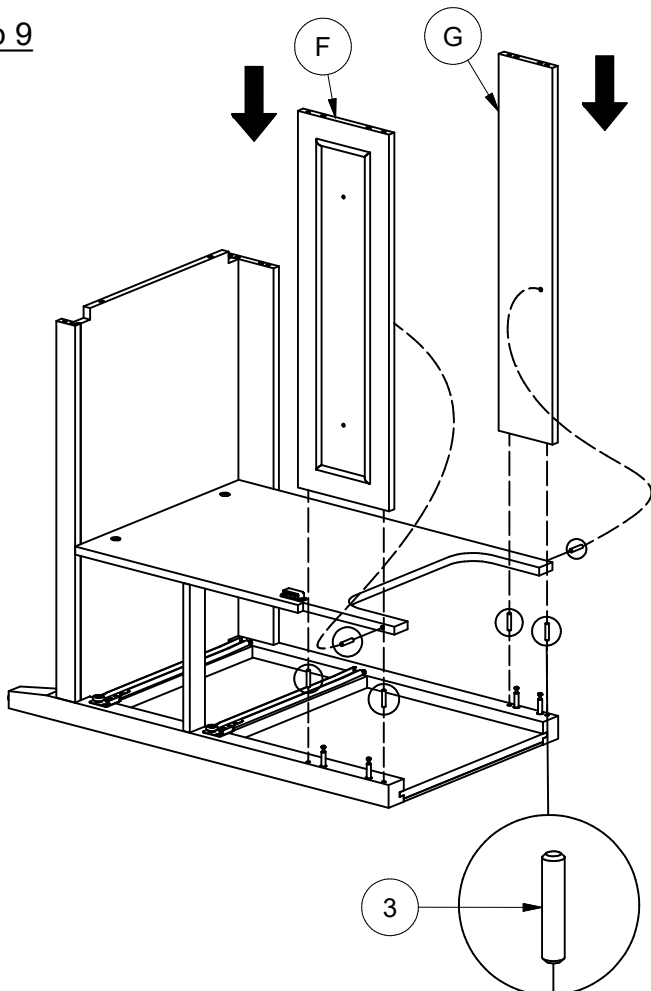
No	Hardware	Q'ty
3	Wooden	2

Step 8



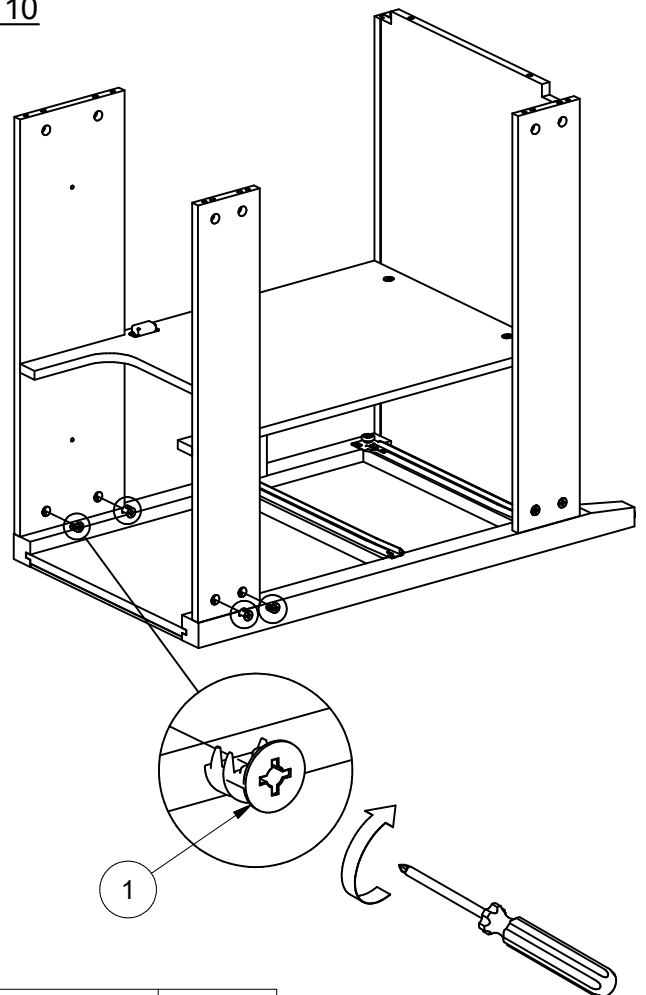
No	Hardware	Q'ty
1	Cam Lock	3

Step 9



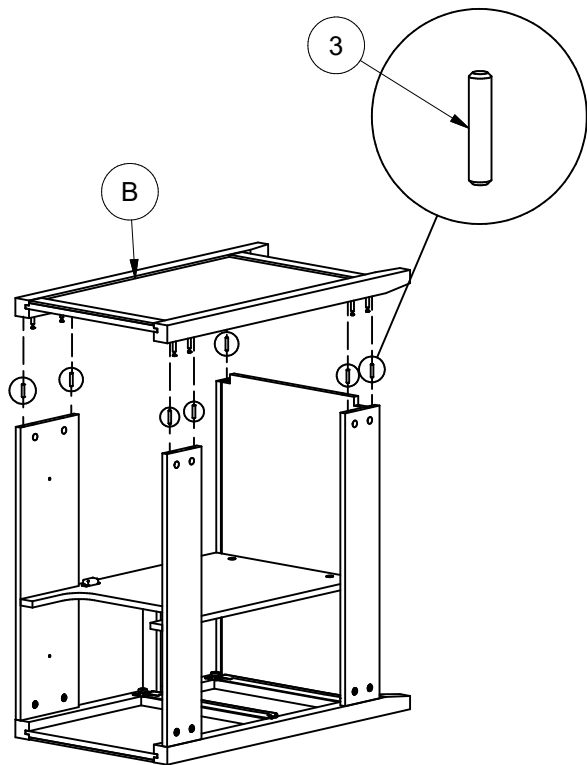
No	Hardware	Q'ty
3	Wooden	6

Step 10



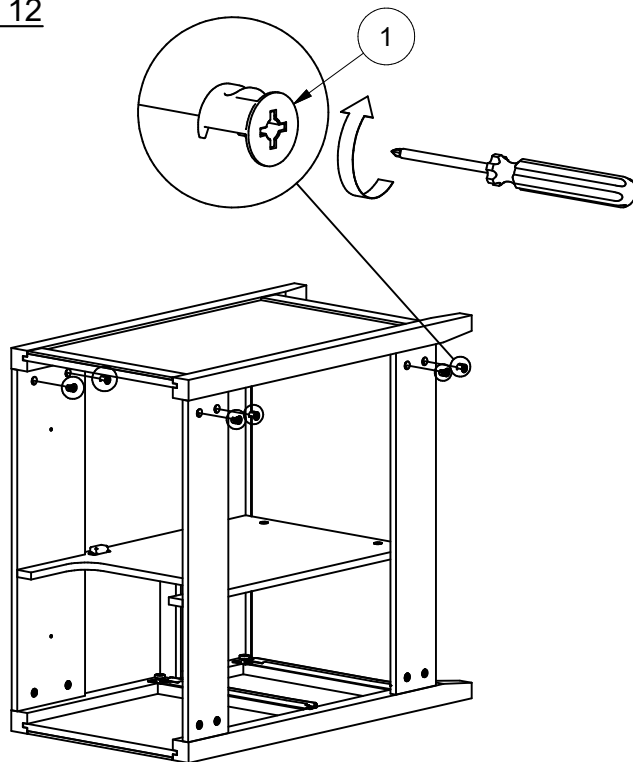
No	Hardware	Q'ty
1	Cam Lock	4

Step 11



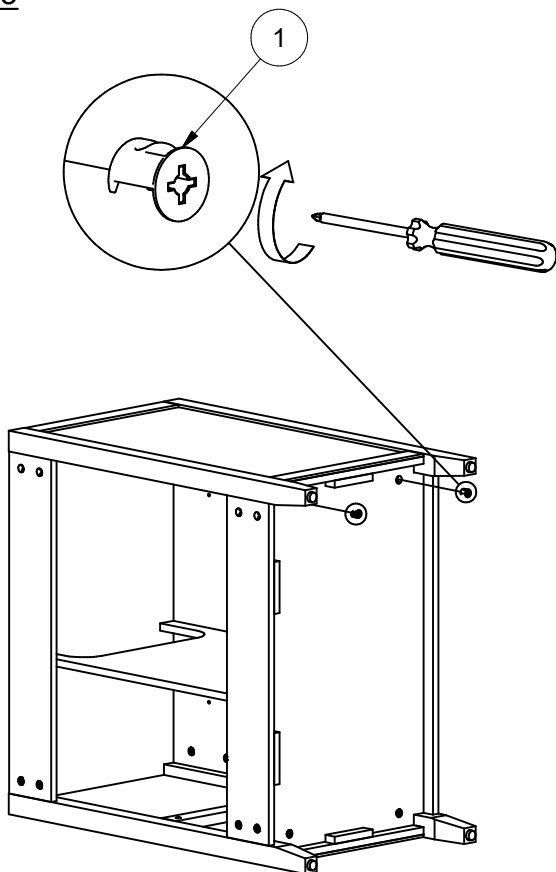
No	Hardware	Q'ty
3	Wooden	7

Step 12



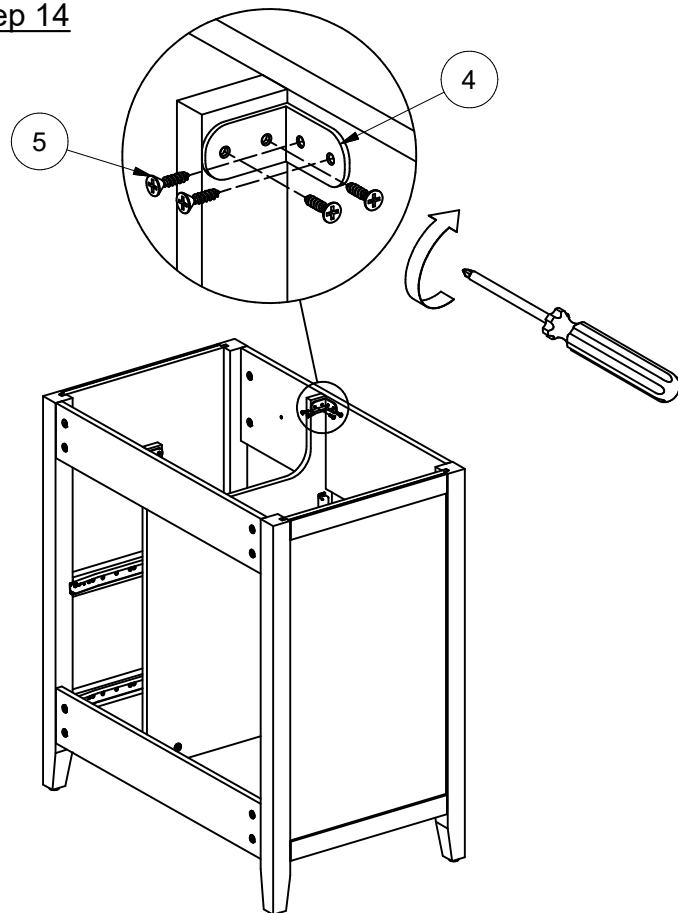
No	Hardware	Q'ty
1	Cam Lock	6

Step 13



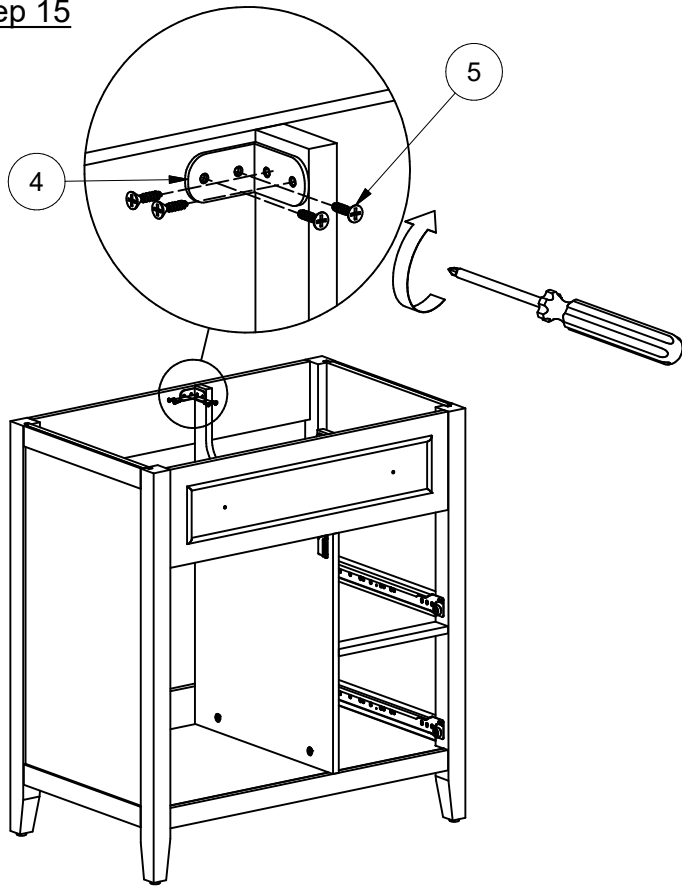
No	Hardware	Q'ty
1	Cam Lock	2

Step 14



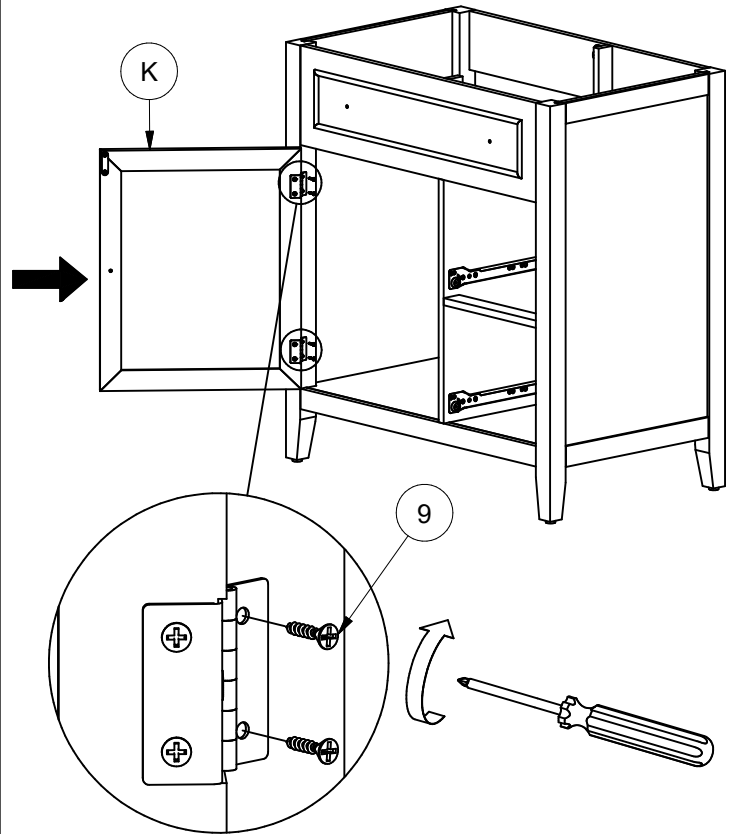
No	Hardware	Q'ty
4	Angle Bracket	1
5	Screws 3.5x12	4

Step 15



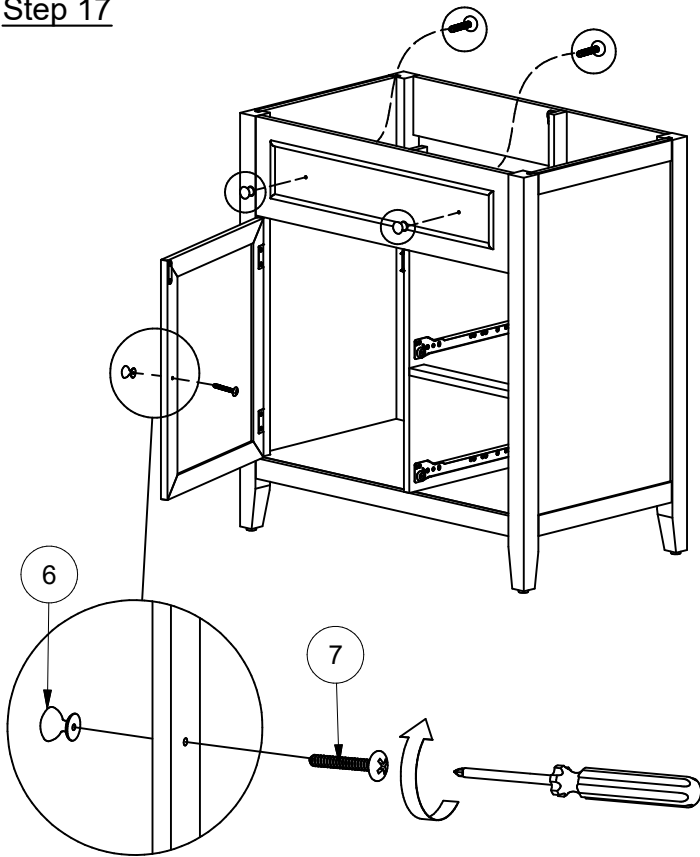
No	Hardware	Q'ty
4	Angle Bracket	1
5	Screws 3.5x12	4

Step 16



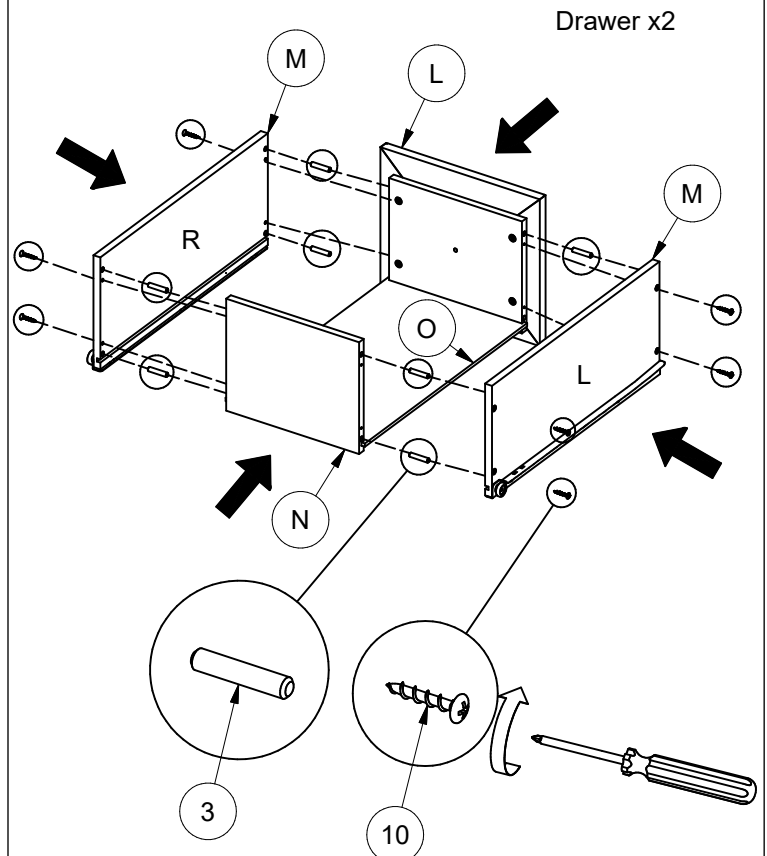
No	Hardware	Q'ty
9	Srews 3x15	4

Step 17



No	Hardware	Q'ty
6	Knob	3
7	Screws 4x20	3

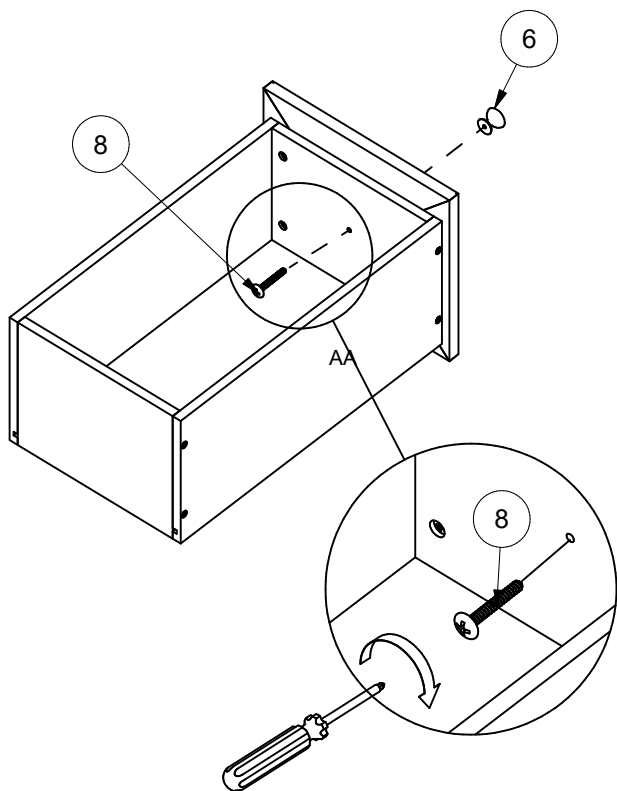
Step 18



No	Hardware	Q'ty
3	Wooden	16
10	Screws 4x25	16

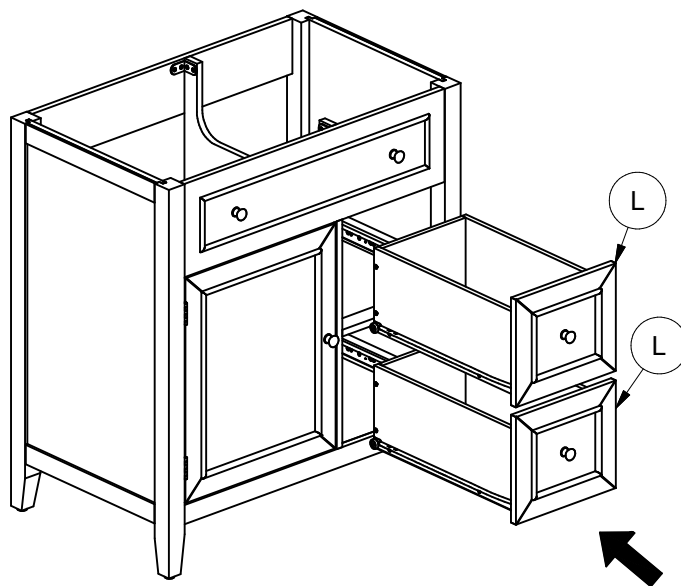
Step 19

Drawer x2

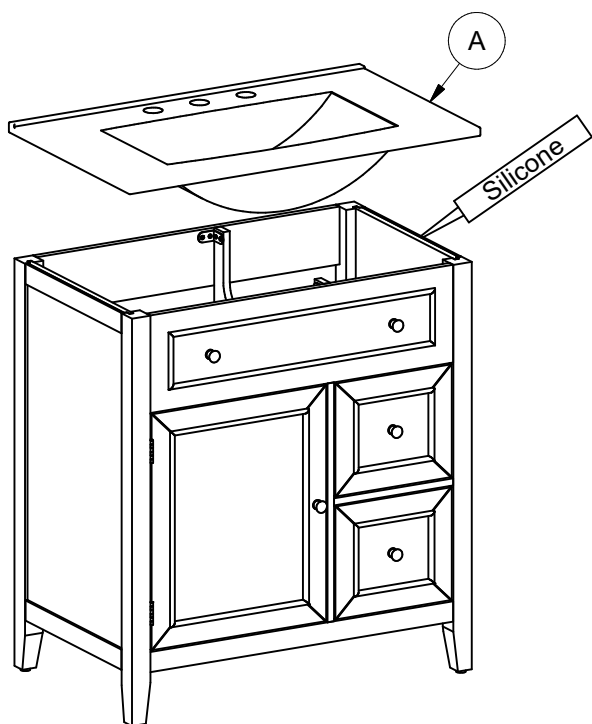


No	Hardware	Q'ty
6	Knob	2
8	Screws 4x25	2

Step 20



Step 21



Step 22

